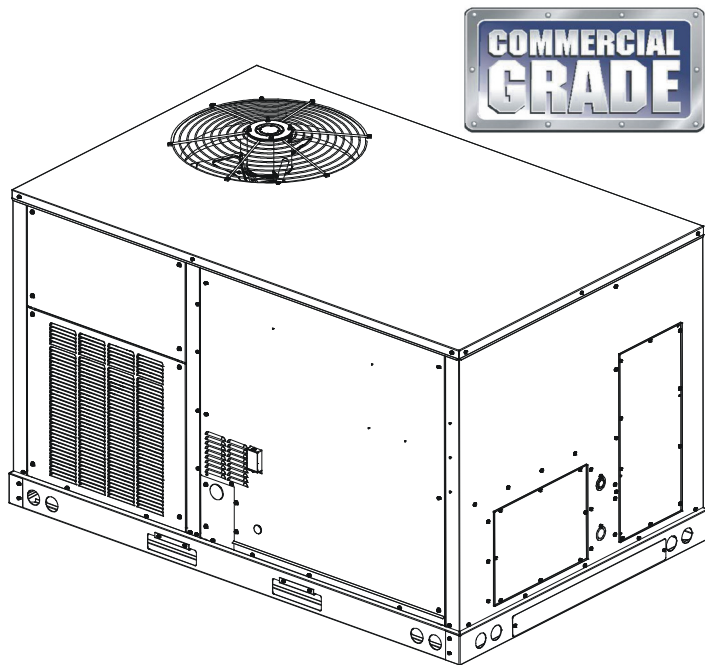


PACKAGED GAS / ELECTRIC UNIT 3-6 TON DIRECT DRIVE STANDARD EFFICIENCY LIGHT COMMERCIAL DSG MODELS INSTALLATION INSTRUCTIONS

TABLE OF CONTENTS

SAFETY INSTRUCTIONS 2
 REPLACEMENT PARTS 2
 GENERAL INFORMATION 3
 CLEARANCES 7
 ROOF CURB POST-INSTALLATION CHECKS 7
 ROOF TOP DUCT CONNECTIONS 7
 RIGGING DETAILS 8
 WEIGHTS AND CENTER OF GRAVITY 8
 ELECTRICAL WIRING 9
 GAS SUPPLY PIPING 12
 PROPANE GAS INSTALLATIONS 13
 CIRCULATING AIR AND FILTERS 15
 CONDENSATE DRAIN CONNECTION 15
 STARTUP, ADJUSTMENTS, AND CHECKS 15
 AIR FLOW ADJUSTMENTS 17
 GAS SYSTEM CHECK 17
 NORMAL SEQUENCE OF OPERATION 20
 MAINTENANCE 23
 TROUBLESHOOTING 26
 APPENDIX A BLOWER PERFORMANCE TABLES 31
 APPENDIX B ELECTRICAL DATA 117
 APPENDIX C UNIT DIMENSIONS 119
 APPENDIX D MIN-MAX AIRFLOW 120
 WIRING DIAGRAMS 121
 STARTUP CHECKLIST 130



This forced air central unit design complies with requirements embodied in The American National Standard / National Standard of Canada **ANSI Z21.47•CSA-2.3 Gas-fired central furnaces.**

NOTE: THIS EQUIPMENT IS APPROVED TO USE ONLY WITH R-32 REFRIGERANT.

WARNING

DO NOT BYPASS SAFETY DEVICES.

WARNING

ONLY PERSONNEL THAT HAVE BEEN TRAINED TO INSTALL, ADJUST, SERVICE, MAINTENANCE OR REPAIR (HEREINAFTER, "SERVICE") THE EQUIPMENT SPECIFIED IN THIS MANUAL SHOULD SERVICE THE EQUIPMENT.

THIS EQUIPMENT IS NOT INTENDED FOR USE BY PERSONS (INCLUDING CHILDREN) WITH REDUCED PHYSICAL, SENSORY OR MENTAL CAPACITIES, OR LACK OF EXPERIENCE AND KNOWLEDGE, UNLESS THEY HAVE BEEN GIVEN SUPERVISION OR INSTRUCTION CONCERNING USE OF THE APPLIANCE BY A PERSON RESPONSIBLE FOR THEIR SAFETY.

CHILDREN SHOULD BE SUPERVISED TO ENSURE THAT THEY DO NOT PLAY WITH THE EQUIPMENT.

THE MANUFACTURER WILL NOT BE RESPONSIBLE FOR ANY INJURY OR PROPERTY DAMAGE ARISING FROM IMPROPER SUPERVISION, SERVICE OR SERVICE PROCEDURES. IF YOU SERVICE THIS UNIT, YOU ASSUME RESPONSIBILITY FOR ANY INJURY OR PROPERTY DAMAGE WHICH MAY RESULT. IN ADDITION, IN JURISDICTIONS THAT REQUIRE ONE OR MORE LICENSES TO SERVICE THE EQUIPMENT SPECIFIED IN THIS MANUAL, ONLY LICENSED PERSONNEL SHOULD SERVICE THE EQUIPMENT. IMPROPER SUPERVISION, INSTALLATION, ADJUSTMENT, SERVICING, MAINTENANCE OR REPAIR OF THE EQUIPMENT SPECIFIED IN THIS MANUAL, OR ATTEMPTING TO INSTALL, ADJUST, SERVICE OR REPAIR THE EQUIPMENT SPECIFIED IN THIS MANUAL WITHOUT PROPER SUPERVISION OR TRAINING MAY RESULT IN PRODUCT DAMAGE, PROPERTY DAMAGE, PERSONAL INJURY OR DEATH.

Our continuing commitment to quality products may mean a change in specifications without notice.

© 2024 **DAIKIN COMFORT TECHNOLOGIES MANUFACTURING, L.P.**



SAFETY INSTRUCTIONS



RECOGNIZE THIS SYMBOL AS A SAFETY PRECAUTION.

These installation instructions cover the outdoor installation of single package heating and cooling units. See the Light Commercial Accessories Brochure for information regarding accessories.

***NOTE: PLEASE CONTACT YOUR DISTRIBUTOR OR VISIT OUR WEBSITE FOR THE LIGHT COMMERCIAL ACCESSORIES BROCHURE AND THE APPLICABLE SPECIFICATION SHEET REFERRED TO IN THIS MANUAL.**

TO THE INSTALLER

Before installing this unit, please read this manual to familiarize yourself on the specific items which must be adhered to, including maximum external static pressure to unit, air temperature rise, minimum or maximum CFM and motor speed connections.

Keep this literature in a safe place for future reference.



WARNING

IF THE INFORMATION IN THESE INSTRUCTIONS IS NOT FOLLOWED EXACTLY, A FIRE OR EXPLOSION MAY RESULT CAUSING PROPERTY DAMAGE, PERSONAL INJURY OR LOSS OF LIFE.

- DO NOT STORE OR USE GASOLINE OR OTHER FLAMMABLE VAPORS AND LIQUIDS IN THE VICINITY OF THIS OR ANY OTHER APPLIANCE.
- WHAT TO DO IF YOU SMELL GAS:
 - DO NOT TRY TO LIGHT ANY APPLIANCE.
 - DO NOT TOUCH ANY ELECTRICAL SWITCH; DO NOT USE ANY PHONE IN YOUR BUILDING.
 - IMMEDIATELY CALL YOUR GAS SUPPLIER FROM A NEIGHBOR'S PHONE. FOLLOW THE GAS SUPPLIER'S INSTRUCTIONS. IF YOU CANNOT REACH YOUR GAS SUPPLIER, CALL THE FIRE DEPARTMENT.
- INSTALLATION AND SERVICE MUST BE PERFORMED BY A QUALIFIED INSTALLER, SERVICE AGENCY OR THE GAS SUPPLIER.



WARNING

DO NOT USE MEANS TO ACCELERATE THE DEFROSTING PROCESS OR TO CLEAN, OTHER THAN THOSE RECOMMENDED BY THE MANUFACTURER. THE APPLIANCE SHALL BE STORED IN A ROOM WITHOUT CONTINUOUSLY OPERATING IGNITION SOURCES (FOR EXAMPLE: OPEN FLAMES, AN OPERATING GAS APPLIANCE OR AN OPERATING ELECTRIC HEATER). DO NOT PIERCE OR BURN. BE AWARE THAT REFRIGERANTS MAY NOT CONTAIN AN ODOR.



WARNING

ONLY AUXILIARY DEVICES APPROVED BY THE APPLIANCE MANUFACTURER OR DECLARED SUITABLE WITH THE REFRIGERANT SHALL BE INSTALLED IN CONNECTING DUCTWORK.



WARNING

TO PREVENT THE RISK OF PROPERTY DAMAGE, PERSONAL INJURY, OR DEATH, DO NOT STORE COMBUSTIBLE MATERIALS OR USE GASOLINE OR OTHER FLAMMABLE LIQUIDS OR VAPORS IN THE VICINITY OF THIS APPLIANCE.



WARNING

SHOULD OVERHEATING OCCUR OR THE GAS SUPPLY FAIL TO SHUT OFF, TURN OFF THE MANUAL GAS SHUTOFF VALVE EXTERNAL TO THE FURNACE BEFORE TURNING OFF THE ELECTRICAL SUPPLY.



CAUTION

SHEET METAL PARTS, SCREWS, CLIPS AND SIMILAR ITEMS INHERENTLY HAVE SHARP EDGES, AND IT IS NECESSARY THAT THE INSTALLER AND SERVICE PERSONNEL EXERCISE CAUTION.



WARNING

DO NOT CONNECT TO OR USE ANY DEVICE THAT IS NOT DESIGN CERTIFIED BY THE MANUFACTURER FOR USE WITH THIS UNIT. SERIOUS PROPERTY DAMAGE, PERSONAL INJURY, REDUCED UNIT PERFORMANCE AND/OR HAZARDOUS CONDITIONS MAY RESULT FROM THE USE OF SUCH NON-APPROVED DEVICES.



WARNING

TO AVOID PROPERTY DAMAGE, PERSONAL INJURY OR DEATH, DO NOT USE THIS UNIT IF ANY PART HAS BEEN UNDER WATER. IMMEDIATELY CALL A QUALIFIED SERVICE TECHNICIAN TO INSPECT THE FURNACE AND TO REPLACE ANY PART OF THE CONTROL SYSTEM AND ANY GAS CONTROL HAVING BEEN UNDER WATER.



WARNING

THIS UNIT MUST NOT BE USED AS A "CONSTRUCTION HEATER" DURING THE FINISHING PHASES OF CONSTRUCTION ON A NEW STRUCTURE. THIS TYPE OF USE MAY RESULT IN PREMATURE FAILURE OF THE UNIT DUE TO EXTREMELY LOW RETURN AIR TEMPERATURE AND EXPOSURE TO CORROSIVE OR VERY DIRTY ATMOSPHERES.





WARNING

HIGH VOLTAGE!
DISCONNECT ALL POWER BEFORE SERVICING OR INSTALLING THIS UNIT. MULTIPLE POWER SOURCES MAY BE PRESENT. FAILURE TO DO SO MAY CAUSE PROPERTY DAMAGE, PERSONAL INJURY OR DEATH.



CAUTION

AUXILIARY DEVICES WHICH MAY BE A POTENTIAL IGNITION SOURCE SHALL NOT BE INSTALLED IN THE DUCT WORK. EXAMPLES OF SUCH POTENTIAL IGNITION SOURCES ARE HOT SURFACES WITH A TEMPERATURE EXCEEDING 700°C AND ELECTRIC SWITCHING DEVICES.

 WARNING
LEAK DETECTION SYSTEM INSTALLED. UNIT MUST BE POWERED EXCEPT FOR SERVICE.
 WARNING
THIS UNIT IS EQUIPPED WITH ELECTRICALLY POWERED SAFETY MEASURES. TO BE EFFECTIVE, THE UNIT MUST BE ELECTRICALLY POWERED AT ALL TIMES AFTER INSTALLATION, OTHER THAN WHEN SERVICING.


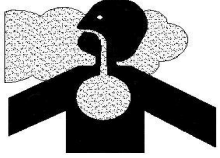
REPLACEMENT PARTS

ORDERING PARTS


For shortages or damages, report to website www.goodmanmfg.com/logistics-feedback. Also, when ordering repair parts, give the complete unit model and serial numbers as stamped on the unit's nameplate.

Replacement parts for this appliance are available through your contractor or local distributor. Location of your local distributor can be found at www.daikincomfort.com or contact:

EQUIPMENT SUPPORT
 DAIKIN COMFORT TECHNOLOGIES
 MANUFACTURING, L.P.
 19001 KERMIER ROAD
 WALLER, TEXAS 77484
 855-770-5678

 DANGER PELIGRO

CARBON MONOXIDE POISONING HAZARD
Special Warning for Installation of Furnace or Air Handling Units in Enclosed Areas such as Garages, Utility Rooms or Parking Areas
Carbon monoxide producing devices (such as an automobile, space heater, gas water heater, etc.) should not be operated in enclosed areas such as unventilated garages, utility rooms or parking areas because of the danger of carbon monoxide (CO) poisoning resulting from the exhaust emissions. If a furnace or air handler is installed in an enclosed area such as a garage, utility room or parking area and a carbon monoxide producing device is operated therein, there must be adequate, direct outside ventilation.
This ventilation is necessary to avoid the danger of CO poisoning which can occur if a carbon monoxide producing device continues to operate in the enclosed area. Carbon monoxide emissions can be (re)circulated throughout the structure if the furnace or air handler is operating in any mode.
CO can cause serious illness including permanent brain damage or death. B10259-216
RIESGO DE INTOXICACI" N POR MON"XIDO DE CARBONO
Advertencia especial para la instalaci" n de calentadores Ómanejadoras de aire en -reas cerradas como estacionamientos Ó cuartos de servicio.
Los equipos Ó aparatos que producen monÓxido de carbono (tal como automÓvil, calentador de gas, calentador de agua por medio de gas, etc) no deben ser operados en -reas cerradas debido al riesgo de envenenamiento por monÓxido de carbono (CO) que resulta de las emisiones de gases de combusti" n. Si el equipo Ó aparato se opera en dichas -reas, debe existir una adecuada ventilaci" n directa al exterior. Esta ventilaci" n es necesaria para evitar el peligro de envenenamiento por CO, que puede ocurrir si un dispositivo que produce monÓxido de carbono sigue operando en el lugar cerrado. Las emisiones de monÓxido de carbono pueden circular a trav" s del aparato cuando se opera en cualquier modo.
El monÓxido de carbono puede causar enfermedades severas como da" o cerebral permanente Ó muerte. B10259-216
RISQUE D'EMPOISONNEMENT AU MONOXYDE DE CARBONE
Avertissement special au sujet de l'installation d'appareils de chauffage ou de traitement d'air dans des endroits clos, tels les garages, les locaux d'entretien et les stationnements.
Evitez de mettre en marche les appareils produisant du monoxyde de carbone (tels que les automobile, les appareils de chauffage autonome, etc.) dans des endroits non ventil" s tels que les d'empoisonnement au monoxyde de carbone. Si vous devez faire fonctionner ces appareils dans un endroit clos, assurez-vous qu'il y ait une ventilation directe provenant de l'exterieur.
Cette ventilation est n"ecessaire pour "eviter le danger d'intoxication au CO pouvant survenir si un appareil produisant du monoxyde de carbone continue de fonctionner au sein de la zone confin"ee.
Les "emissions de monoxyde de carbone peuvent "etre recircul"ees dans les endroits clos, si l'appareil de chauffage ou de traitement d'air sont en marche.
Le monoxyde de carbone peut causer des maladies graves telles que des dommages permanents au cerveau et m"eme la mort. B10259-216

GENERAL INFORMATION

 WARNING
TO PREVENT PROPERTY DAMAGE, PERSONAL INJURY OR DEATH, DUE TO FIRE, EXPLOSIONS, SMOKE, SOOT, CONDENSATION, ELECTRIC SHOCK OR CARBON MONOXIDE, THIS UNIT MUST BE PROPERLY INSTALLED, REPAIRED, OPERATED, AND MAINTAINED.

This unit is approved for outdoor installation ONLY. Rated performance is achieved after 20 hours of operation. Rated performance is delivered at the specified airflow. See product specification sheet for light commercial models. Specification sheets can be found at www.daikincomfort.com for Daikin brand products. Within the website, please select the commercial products menu and then select the submenu for the type of product to be installed, such as air conditioners or heat pumps, to access a list of product pages that each contain links to that model's specification sheet.

To assure that your unit operates safely and efficiently, it must be installed, operated, and maintained in accordance with these installation and operating instructions, all local building codes and ordinances, or in their absence, with the latest edition of the National Fuel Gas Code NFPA54/ ANSI Z223.1 and National Standard of Canada CAN/CSA B149 Installation Codes.

QUALIFICATION OF WORKERS

Personnel must be certified to service, work, and/or repair units with FLAMMABLE REFRIGERANTS. A certificate should document the competence and qualification achieved through training that included the substance of the following:

- Information about the explosion potential of FLAMMABLE REFRIGERANTS to show that flammables may be dangerous when handled without care.
- Information about POTENTIAL IGNITION SOURCES, especially those that are not obvious, such as lighters, light switches, vacuum cleaners, electric heaters.
- Information about the different safety concepts, including ventilated and unventilated areas.
- Information about refrigerant detectors, including function, operation, and service measures.
- Information about the concept of sealed components and sealed enclosures according to IEC 60079-15:2010.
- Information about the correct working procedures, including commissioning, maintenance, repair, decommissioning, and disposal procedures.

EPA REGULATIONS

IMPORTANT: THE UNITED STATES ENVIRONMENTAL PROTECTION AGENCY (EPA) HAS ISSUED VARIOUS REGULATIONS REGARDING THE INTRODUCTION AND DISPOSAL OF REFRIGERANTS IN THIS UNIT. FAILURE TO FOLLOW THESE REGULATIONS MAY HARM THE ENVIRONMENT AND CAN LEAD TO THE IMPOSITION OF SUBSTANTIAL FINES. BECAUSE REGULATIONS MAY VARY DUE TO PASSAGE OF NEW LAWS, WE SUGGEST A CERTIFIED TECHNICIAN PERFORM ANY WORK DONE ON THIS UNIT. SHOULD YOU HAVE ANY QUESTIONS PLEASE CONTACT THE LOCAL OFFICE OF THE EPA.

NATIONAL CODES

This product is designed and manufactured to permit installation in accordance with National Codes. It is the installer's responsibility to install the product in accordance with National Codes and/or prevailing local codes and regulations.

The heating and cooling capacities of the unit should be greater than or equal to the design heating and cooling loads of the area to be conditioned. The loads should be calculated by an approved method or in accordance with ASHRAE Guide or Manual J - Load Calculations published by the Air Conditioning Contractors of America.

Obtain from:
American National Standards Institute
25 West 43rd Street, 4th Floor
New York, NY 10036

System design and installation should also, where applicable, follow information presented in accepted industry guides such as the ASHRAE Handbooks. The manufacturer assumes no responsibility for equipment installed in violation of any code or regulation. The mechanical installation of the packaged roof top units consists of making final connections between the unit and building services; supply and return duct connections; and drain connections (if required). The internal systems of the unit are completely factory-installed and tested prior to shipment.

Units are generally installed on a steel roof mounting curb assembly which has been shipped to the job site for installation on the roof structure prior to the arrival of the unit. The model number shown on the unit's identification plate identifies the various components of the unit such as refrigeration tonnage, heating input and voltage.

Carefully inspect the unit for damage including damage to the cabinetry. Any bolts or screws which may have loosened in transit must be re-tightened.

In the event of damage, the receiver should:

1. Make notation on delivery receipt of any visible damage to shipment or container.
2. Notify carrier promptly and request an inspection.
3. In case of concealed damage, carrier should be notified as soon as possible-preferably within 5 days.
4. File the claim with the following supporting documents:
 - a. Original Bill of Lading, certified copy, or indemnity bond.
 - b. Original paid freight bill or indemnity in lieu thereof.
 - c. Original invoice or certified copy thereof, showing trade and other discounts or reductions.
 - d. Copy of the inspection report issued by carrier representative at the time damage is reported to the carrier. The carrier is responsible for making prompt inspection of damage and for a thorough investigation of each claim. The distributor or manufacturer will not accept claims from dealers for transportation damage.

NOTE: WHEN INSPECTING THE UNIT FOR TRANSPORTATION DAMAGE, REMOVE ALL PACKAGING MATERIALS. RECYCLE OR DISPOSE OF THE PACKAGING MATERIAL ACCORDING TO LOCAL CODES.

PRE-INSTALLATION CHECKS

Carefully read all instructions for the installation prior to installing unit. Ensure each step or procedure is understood and any special considerations are taken into account before starting installation. Assemble all tools, hardware and supplies needed to complete the installation. Some items may need to be purchased locally.

Check that cabling /wiring will not be subject to wear, corrosion, excessive pressure, vibration, sharp edges or any other adverse environmental effects. The check shall also take into account the effects of aging or continual vibration from sources such as compressors or fans.

Under no circumstances shall potential sources of ignition be used in the searching for or detection of refrigerant leaks. A halide torch (or any other detector using a naked flame) shall not be used.


The following leak detection methods are deemed acceptable for all refrigerant systems.

Electronic leak detectors may be used to detect refrigerant leaks but, in the case of FLAMMABLE REFRIGERANTS, the sensitivity may not be adequate, or may need re-calibration. (Detection equipment shall be calibrated in a refrigerant-free area.) Ensure that the detector is not a potential source of ignition and is suitable for the refrigerant used. Leak detection equipment shall be set at a percentage of the LFL of the refrigerant and shall be calibrated to the refrigerant employed, and the appropriate percentage of gas (25 % maximum) is confirmed.

Leak detection fluids are also suitable for use with most refrigerants but the use of detergents containing chlorine shall be avoided as the chlorine may react with the refrigerant and corrode the copper pipe-work.

If a leak is suspected, all naked flames shall be removed/ extinguished.

If a leakage of refrigerant is found which requires brazing, all of the refrigerant shall be recovered from the system.

 WARNING
TO PREVENT POSSIBLE EQUIPMENT DAMAGE, PROPERTY DAMAGE, PERSONAL INJURY OR DEATH, THE FOLLOWING BULLET POINTS MUST BE OBSERVED WHEN INSTALLING THE UNIT.

IMPORTANT NOTE: REMOVE WOOD SHIPPING RAILS PRIOR TO INSTALLATION OF THE UNIT.

NOTE: UNITS ARE DESIGNED FOR OUTDOOR INSTALLATION ONLY AT A MAX ALTITUDE OF 8,000 FEET ABOVE SEA LEVEL.

NOTE: UNITS MAY BE INSTALLED IN HEAVY SNOW CLIMATES. ENSURE NO SNOW OBSTRUCTS OR COVERS THE UNIT, AS IT MAY AFFECT PERFORMANCE. REGULARLY CHECK FOR SNOW BUILDUP.

ALL INSTALLATIONS:

IMPORTANT NOTE: UNIT SHOULD BE ENERGIZED 24 HOURS PRIOR TO COMPRESSOR START UP TO ENSURE CRANKCASE HEATER HAS SUFFICIENTLY WARMED THE COMPRESSORS. COMPRESSOR DAMAGE MAY OCCUR IF THIS STEP IS NOT FOLLOWED.

 WARNING
THE APPLIANCE SHALL BE INSTALLED, OPERATED AND STORED IN ROOM WITH A FLOOR AREA NOT LESS THAN THE MINIMUM ROOM AREA.



$\geq 15.3 \text{ m}^2$
 164.7 ft^2

MINIMUM ROOM AREA FIGURE

IMPORTANT NOTE: REFER TO THE ALTITUDE ADJUSTED ROOM AREA CALCULATION REFERENCED LATER IN THIS MANUAL.

NOTE: APPLIANCE IS SHIPPED FROM FACTORY FOR VERTICAL DUCT APPLICATION.

Proper installation of the unit ensures trouble-free operation. Improper installation can result in problems ranging from noisy operation to property or equipment damages, dangerous conditions that could result in injury or personal property damage and that are not covered by the warranty. Give this booklet to the user and explain it's provisions. The user should retain these instructions for future reference.

- For proper flame pattern within the heat exchanger and proper condensate drainage, the unit must be mounted level.
- The flue outlet must be at least 12 inches from any opening through which flue gases could enter a building, and at least three feet above any forced air inlet located within ten feet. The economizer/ manual fresh air intake/motorized fresh air intake and combustion air inlet mounted on the unit are not affected by this restriction.
- To avoid possible corrosion of the heat exchanger, do not locate the unit in an area where the outdoor air (i.e. combustion air for the unit) will be frequently contaminated by compounds containing chlorine or fluorine. Common sources of such compounds include swimming pool chemicals and chlorine bleaches, paint stripper, adhesives, paints, varnishes, sealers, waxes (which are not yet dried) and solvents used during construction and remodeling. Various commercial and industrial processes may also be sources of chlorine/fluorine compounds.
- The unit shall not be connected to a chimney flue serving a separate appliance designed to burn solid fuel.

- To avoid possible illness or death of the building occupants, do NOT locate outside air intake device (economizer, manual fresh air intake, motorized fresh air intake) too close to an exhaust outlet, gas vent termination, or plumbing vent outlet. For specific distances required, consult local codes.
- Allow minimum clearances from the enclosure for fire protection, proper operation, and service access (see unit clearances). These clearances must be permanently maintained.
- The combustion air inlet and flue outlet on the unit must never be obstructed. If used, do not allow the economizer/manual fresh air damper/ motorized fresh air damper to become blocked by snow or debris. In some climates or locations, it may be necessary to elevate the unit to avoid these problems.
- When the unit is heating, the temperature of the return air entering the unit must be a minimum of 55° F.

GROUND LEVEL INSTALLATIONS ONLY:

- When the unit is installed on the ground adjacent to the building, a level concrete (or equal) base is recommended. Prepare a base that is 3" larger than the package unit footprint and a minimum of 3" thick.
- The base should also be located where no runoff of water from higher ground can collect in the unit.

ROOF TOP INSTALLATIONS ONLY:

- To avoid possible property damage or personal injury, the roof must have sufficient structural strength to carry the weight of the unit(s) and snow or water loads as required by local codes. Consult a structural engineer to determine the weight capabilities of the roof.
- The unit may be installed directly on wood floors or on Class A, Class B, or Class C roof covering material.
- To avoid possible personal injury, a safe, flat surface for service personnel should be provided.
- As indicated on the unit data plate, a minimum clearance of 36" to any combustible material is required on the furnace access side of the unit. All combustible materials must be kept out of this area.
- This 36" clearance must also be maintained to insure proper combustion air and flue gas flow. The combustion air intake and furnace flue discharge must not be blocked for any reason, including blockage by snow.
- Adequate clearances from the furnace flue discharge to any adjacent public walkways, adjacent buildings, building openings or openable windows must be maintained in accordance with the latest edition of the National Fuel Gas Code ANSI Z223.1/NFPA 54.
- Minimum horizontal clearance of 48" from the furnace flue discharge to any electric meters, gas meters, regulators and relief equipment is required.

UNIT PRECAUTIONS


- Do not stand or walk on the unit.
- Do not drill holes anywhere in panels or in the base frame of the unit except where indicated. Unit access panels provide structural support.
- Do not remove any access panels until unit has been installed on roof curb or field supplied structure.
- Do not roll unit across finished roof without prior approval of owner or architect.
- Do not skid or slide on any surface as this may damage unit base. The unit must be stored on a flat, level surface. Protect the condenser coil because it is easily damaged.

ROOF CURB INSTALLATIONS ONLY:

Curb installations must comply with local codes and should be done in accordance with the established guidelines of the National Roofing Contractors Association.

Proper unit installation requires that the roof curb be firmly and permanently attached to the roof structure. Check for adequate fastening method prior to setting the unit on the curb.

Full perimeter roof curbs are available from the factory and are shipped unassembled. Field assembly, squaring, leveling and mounting on the roof structure are the responsibility of the installing contractor. All required hardware necessary for the assembly of the sheet metal curb is included in the curb accessory.

 WARNING
<p>TO PREVENT POSSIBLE EQUIPMENT DAMAGE, PROPERTY DAMAGE, PERSONAL INJURY OR DEATH, THE FOLLOWING BULLET POINTS MUST BE OBSERVED WHEN INSTALLING THE UNIT.</p>

- Sufficient structural support must be determined prior to locating and mounting the curb and package unit.
- Ductwork must be constructed using industry guidelines. The duct work must be placed into the roof curb before mounting the package unit. Our full perimeter curbs include duct connection frames to be assembled with the curb. Cantilevered type curbs are not available from the factory.
- Curb insulation, cant strips, flashing and general roofing material are furnished by the contractor.
- The curbs must be supported on parallel sides by roof members.
- The roof members must not penetrate supply and return duct opening areas as damage to the unit might occur.

NOTE: THE UNIT AND CURB ACCESSORIES ARE DESIGNED TO ALLOW VERTICAL DUCT INSTALLATION BEFORE UNIT PLACEMENT. DUCT INSTALLATION AFTER UNIT PLACEMENT IS NOT RECOMMENDED.

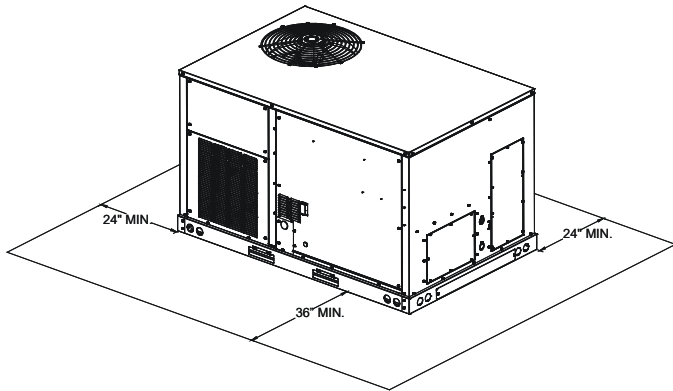


CAUTION

ALL CURBS LOOK SIMILAR. TO AVOID INCORRECT CURB POSITIONING, CHECK JOB PLANS CAREFULLY AND VERIFY MARKINGS ON CURB ASSEMBLY. INSTRUCTIONS MAY VARY IN CURB STYLES AND SUPERSEDES INFORMATION SHOWN.

See the manual shipped with the roof curb for assembly and installation instructions.

CLEARANCES



UNIT CLEARANCES

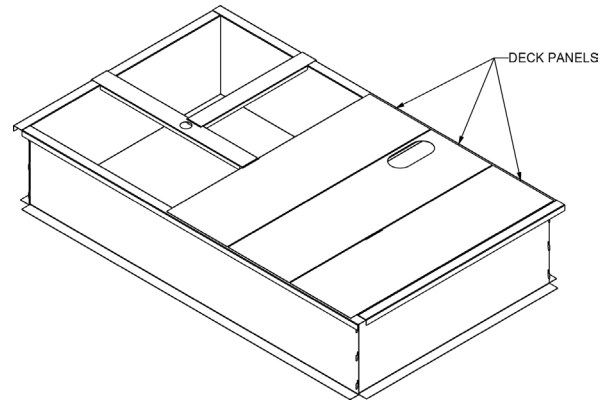
**In situations that have multiple units, a 36" minimum clearance is required between the condenser coils.*

Adequate clearance around the unit should be kept for safety, service, maintenance, and proper unit operation. A clearance of 48" is recommended on all sides of the unit to facilitate possible parts replacement, to allow service access and to insure proper ventilation and condenser airflow. The top of the unit should be completely unobstructed. If units are to be located under an overhang, there should be a minimum of 48" clearance and provisions made to deflect the warm discharge air out from the overhang. The unit should be installed remote from all building exhausts to inhibit ingestion of exhaust air into the unit fresh air intake.

NOTE: IF THE 36" MINIMUM CLEARANCE IS USED ON THE CONTROL PANEL SIDE OF A GAS UNIT, A FLUE EXTENSION KIT NEEDS BE TO INSTALLED TO PREVENT FLUE GAS RECIRCULATION. SEE TABLE BELOW FOR THE KIT SELECTION.

MODEL SIZE	KIT PART NUMBER
3 TON	HEFLUE036
4 TON	HEFLUE036
5 TON	HEFLUE036
6 TON	HEFLUE048060

FLUE EXTENSION KITS



ROOF CURB INSTALLATION

ROOF CURB POST-INSTALLATION CHECKS

After installation, check the top of the curb, duct connection frame and duct flanges to make sure gasket has been applied properly. Gasket should be firmly applied to the top of the curb perimeter, duct flanges and any exposed duct connection frame. If gasket is loose, re-apply using strong weather resistant adhesive.

PROTRUSION

Inspect curb to ensure that none of the utility services (electric) routed through the curb protrude above the curb.



CAUTION

IF PROTRUSIONS EXIST, DO NOT ATTEMPT TO SET UNIT ON CURB.

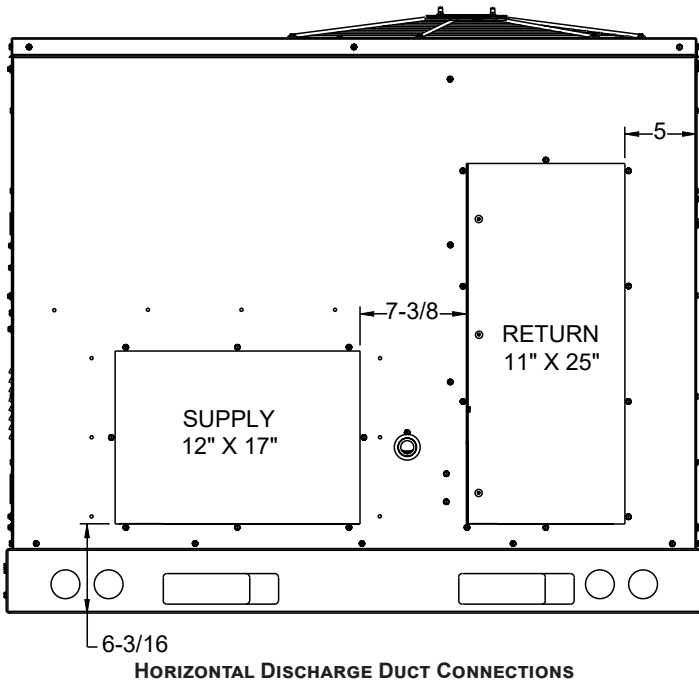
ROOF TOP DUCT CONNECTIONS

Install all duct connections on the unit before placing the unit on rooftop.

HORIZONTAL DISCHARGE

Refer to IOD-7082 included in the literature pack for installing horizontal duct covers.

Flexible duct connectors between the unit and ducts are recommended. Insulate and weatherproof all external ductwork and joints as required and in accordance with local codes.



HORIZONTAL DISCHARGE DUCT CONNECTIONS

RIGGING DETAILS



WARNING

TO PREVENT PROPERTY DAMAGE, THE UNIT SHOULD REMAIN IN AN UPRIGHT POSITION DURING ALL RIGGING AND MOVING OPERATIONS. TO FACILITATE LIFTING AND MOVING WHEN A CRANE IS USED, PLACE THE UNIT IN AN ADEQUATE CABLE SLING.



CAUTION

IF UNITS ARE LIFTED TWO AT A TIME, THE FORK HOLES ON THE CONDENSER END OF THE UNIT MUST NOT BE USED. MINIMUM FORK LENGTH IS 42" TO PREVENT DAMAGE TO THE UNIT; HOWEVER, 48" IS RECOMMENDED.

PROVISIONS FOR FORKS HAVE BEEN INCLUDED IN THE UNIT BASE FRAME. NO OTHER FORK LOCATIONS ARE APPROVED.



WARNING

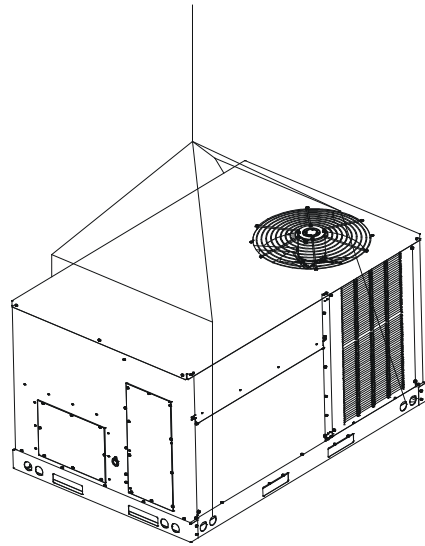
TO PREVENT POSSIBLE EQUIPMENT DAMAGE, PROPERTY DAMAGE, PERSONAL INJURY OR DEATH, THE FOLLOWING BULLET POINTS MUST BE OBSERVED WHEN INSTALLING THE UNIT.

- Unit must be lifted by the four lifting holes located at the base frame corners.
- Lifting cables should be attached to the unit with shackles.
- The distance between the crane hook and the top of the unit must not be less than 60".
- Two spreader bars must span over the unit to prevent damage to the cabinet by the lift cables. Spreader bars must be of sufficient length so that cables do not come in contact with the unit during transport.

- Remove wood struts mounted beneath unit base frame before setting unit on roof curb. These struts are intended to protect unit base frame from fork lift damage. Removal is accomplished by extracting the sheet metal retainers and pulling the struts through the base of the unit. Refer to rigging label on the unit.

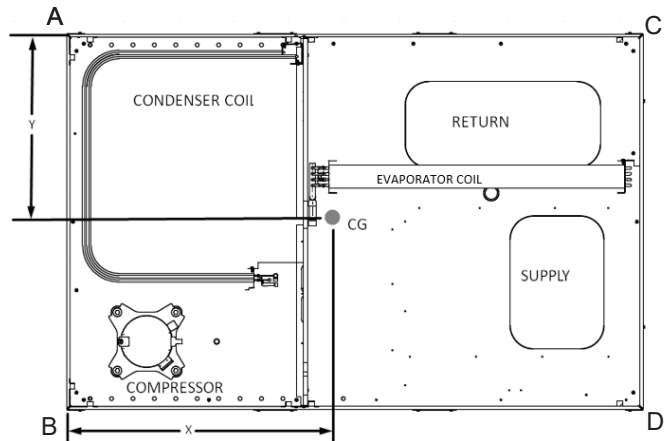
IMPORTANT: IF USING BOTTOM DISCHARGE WITH ROOF CURB, DUCTWORK SHOULD BE ATTACHED TO THE CURB PRIOR TO INSTALLING THE UNIT. DUCTWORK DIMENSIONS ARE SHOWN IN ROOF CURB INSTALLATION INSTRUCTIONS.

Refer to the Roof Curb Installation Instructions for proper curb installation. Curbing must be installed in compliance with the National Roofing Contractors Association Manual.



To assist in determining rigging requirements, unit weights and center of gravity are shown as follows:

WEIGHTS AND CENTER OF GRAVITY



CORNER AND CENTER OF GRAVITY LOCATIONS

NOTE: UNIT SHOULD BE LIFTED AT A POINT ABOVE CENTER OF GRAVITY.

Model	Shipping Weight (lbs)	Operating Weight (lbs)	Corner Weights (lbs)				Length X (in)	Width Y(in)
			A	B	C	D		
DSG0361DL	570	500	117	142	80	161	35.7	29.1
DSG0361DH	582	512	117	142	80	173	36.6	29.7
DSG0361D6	576	506	117	142	80	167	36.1	29.5
DSG0361D8	582	512	117	142	80	173	36.6	29.7
DSG0361D1	589	519	117	142	80	180	37.1	30.0
DSG0363DL	568	498	117	140	80	161	35.8	29.2
DSG0363DM	574	504	117	140	80	167	36.3	29.4
DSG0363DH	580	510	117	140	80	173	36.7	29.6
DSG0363D6	574	504	117	140	80	167	36.3	29.4
DSG0363D8	580	510	117	140	80	173	36.7	29.6
DSG0363D1	587	517	117	140	80	180	37.2	29.9
DSG0364DL	576	506	117	142	81	166	36.1	29.4
DSG0364DM	581	511	117	142	81	171	36.5	29.6
DSG0364DH	586	516	117	142	81	176	36.9	29.8
DSG0364D6	581	511	117	142	81	171	36.5	29.6
DSG0364D8	586	516	117	142	81	176	36.9	29.8
DSG0364D1	590	520	117	142	81	180	37.1	29.9
DSG0367DH	586	516	117	142	81	176	36.9	29.8
DSG0481DL	607	537	134	152	87	164	34.6	28.4
DSG0481DH	623	553	134	152	88	179	35.7	28.9
DSG0481D8	607	537	134	152	87	164	34.6	28.4
DSG0481D1	623	553	134	152	88	179	35.7	28.9
DSG0483DL	602	532	134	147	87	164	34.9	28.2
DSG0483DM	610	540	134	147	87	172	35.5	28.5
DSG0483DH	618	548	134	147	88	179	36.1	28.7
DSG0483D8	610	540	134	147	87	172	35.5	28.5
DSG0483D1	618	548	134	147	88	179	36.1	28.7
DSG0484DL	606	536	134	147	87	168	35.2	28.4
DSG0484DM	614	544	134	147	87	176	35.8	28.7
DSG0484DH	622	552	134	147	88	183	36.3	28.9
DSG0484D8	614	544	134	147	87	176	35.8	28.7
DSG0484D1	622	552	134	147	88	183	36.3	28.9
DSG0487DH	622	552	134	147	88	183	36.3	28.9
DSG0601DL	611	541	136	151	87	167	34.7	28.4
DSG0601DH	628	558	128	157	95	178	36.2	29.0
DSG0601D8	611	541	136	151	87	167	34.7	28.4
DSG0601D1	624	554	128	157	95	174	35.9	28.9
DSG0603DL	607	537	136	147	87	167	35.0	28.2
DSG0603DM	620	550	128	153	95	174	36.2	28.7
DSG0603DH	624	554	128	153	95	178	36.5	28.9
DSG0603D8	607	537	136	147	87	167	35.0	28.2
DSG0603D1	620	550	128	153	95	174	36.2	28.7
DSG0604DL	611	541	136	147	87	171	35.3	28.4
DSG0604DM	624	554	128	153	95	178	36.5	28.9
DSG0604DH	628	558	128	153	95	182	36.7	29.0
DSG0604D8	611	541	136	147	87	171	35.3	28.4
DSG0604D1	624	554	128	153	95	178	36.5	28.9
DSG0607DH	628	558	128	153	95	182	36.7	29.0
DSG0723DL	680	610	143	178	90	199	35.1	29.9
DSG0723DM	688	618	143	178	90	207	35.6	30.1
DSG0723DH	696	626	143	178	91	214	36.1	30.2
DSG0724DL	680	610	143	178	90	199	35.1	29.9
DSG0724DM	688	618	143	178	90	207	35.6	30.1
DSG0724DH	696	626	143	178	91	214	36.1	30.2
DSG0727DL	680	610	143	178	90	199	35.1	29.9
DSG0727DM	688	618	143	178	90	207	35.6	30.1
DSG0727DH	696	626	143	178	91	214	36.1	30.2

THE NUMBERS MAY SLIGHTLY VARY DEPENDING ON INSTALLED OPTIONS.



CAUTION

TO PREVENT SEVERE DAMAGE TO THE BOTTOM OF THE UNIT, DO NOT FORK LIFT UNIT AFTER WOOD STRUTS HAVE BEEN REMOVED.

Bring condenser end of unit into alignment with the curb first. Lower unit carefully onto roof mounting curb. When a rectangular cantilever curb is used, care should be taken to center the unit. Check for proper alignment and orientation of supply and return openings with duct.

RIGGING REMOVAL



CAUTION

TO PREVENT DAMAGE TO THE UNIT, DO NOT ALLOW CRANE HOOKS AND SPREADER BARS TO REST ON THE ROOF OF THE UNIT.

Remove spreader bars, lifting cables and other rigging equipment.

ELECTRICAL WIRING



WARNING

HIGH VOLTAGE!
DISCONNECT ALL POWER BEFORE SERVICING OR INSTALLING THIS UNIT. MULTIPLE POWER SOURCES MAY BE PRESENT. FAILURE TO DO SO MAY CAUSE PROPERTY DAMAGE, PERSONAL INJURY OR DEATH.



WARNING

HIGH VOLTAGE!
TO AVOID PERSONAL INJURY OR DEATH DUE TO ELECTRICAL SHOCK, DO NOT TAMPER WITH FACTORY WIRING. THE INTERNAL POWER AND CONTROL WIRING OF THESE UNITS ARE FACTORY - INSTALLED AND HAVE BEEN THOROUGHLY TESTED PRIOR TO SHIPMENT. CONTACT YOUR LOCAL REPRESENTATIVE IF ASSISTANCE IS REQUIRED.



WARNING

HIGH VOLTAGE!
PRIOR TO SERVICING THE UNIT OR REMOVING THE COMPRESSOR TERMINAL PLUG OR TERMINAL COVER, DISCONNECT ALL ELECTRICAL POWER FROM THE UNIT. MULTIPLE POWER SOURCES MAY BE PRESENT.



WARNING

DO NOT OPERATE THE COMPRESSOR(S) WITHOUT THE TERMINAL PLUG FULLY ENGAGED OR THE TERMINAL COVER PROPERLY INSTALLED. GET AWAY IF UNUSUAL SOUNDS ARE HEARD FROM WITHIN THE COMPRESSOR. DISCONNECT ELECTRICAL POWER FROM THE COMPRESSOR / UNIT.



WARNING

A TRIPPED CIRCUIT BREAKER OR BLOWN FUSE MAY INDICATE THAT AN ELECTRICAL PROBLEM EXISTS. DO NOT RESET A CIRCUIT BREAKER OR REPLACE FUSES WITHOUT FIRST PERFORMING THOROUGH ELECTRICAL TROUBLESHOOTING AND TESTING PROCEDURES.



CAUTION

HERMETIC COMPRESSOR ELECTRICAL TERMINAL VENTING CAN BE DANGEROUS. IN CERTAIN CIRCUMSTANCES, THE TERMINAL MAY BE EXPELLED, VENTING THE REFRIGERANT VAPOR AND COMPRESSOR OIL CONTAINED WITHIN THE COMPRESSOR HOUSING AND SYSTEM. BE ALERT FOR SOUNDS OF ARCING (SIZZLING, SPATTERING, OR POPPING) INSIDE THE COMPRESSOR. IMMEDIATELY GET AWAY IF YOU HEAR THESE SOUNDS AND DISCONNECT ELECTRICAL POWER FROM THE COMPRESSOR / UNIT.

If a terminal is damaged, electrically overloaded, or short circuits to ground, there is a remote possibility that the terminal can be suddenly expelled from the terminal housing thereby venting the refrigerant and compressor oil mixture to atmosphere.


This discharge can be ignited from electrical arcing, or other open sources of ignition, and can cause potentially severe or fatal injury. This event is known as “Terminal Venting.”

To reduce the possibility of external ignition, all open flames or other heat sources must be extinguished, and all electrical power must be turned off prior to opening the terminal cover or removing the electrical plug and servicing the system.

Proper sealed system evacuation is required during servicing to maintain adequate internal system cleanliness while eliminating contaminants.

Be alert for sounds of arcing (sizzling, sputtering, or popping) inside the compressor. IMMEDIATELY GET AWAY from the unit if you hear these sounds and disconnect electrical power.

NOTE: NEVER OPERATE THE COMPRESSOR IN A VACUUM OR IN REVERSE OPERATION.

 CAUTION
TO PREVENT DAMAGE TO THE WIRING, PROTECT WIRING FROM SHARP EDGES. FOLLOW NATIONAL ELECTRICAL CODE AND ALL LOCAL CODES AND ORDINANCES. DO NOT ROUTE WIRES THROUGH REMOVABLE ACCESS PANELS.

 CAUTION
CONDUIT AND FITTINGS MUST BE WEATHER-TIGHT TO PREVENT WATER ENTRY INTO THE BUILDING.

For unit protection, use a fuse or HACR circuit breaker that is in excess of the circuit ampacity, but less than or equal to the maximum overcurrent protection device. DO NOT EXCEED THE MAXIMUM OVERCURRENT DEVICE SIZE SHOWN ON UNIT DATA PLATE.

All line voltage connections must be made through weatherproof fittings. All exterior power supply and ground wiring must be in approved weatherproof conduit.

The main power supply wiring to the unit and low voltage wiring to accessory controls must be done in accordance with these instructions, the latest edition of the National Electrical Code (ANSI/NFPA 70), and all local codes and ordinances.

The unit is factory wired for the voltage shown on the unit's data plate.

NOTE: IF SUPPLY VOLTAGE IS 208V, LEAD ON PRIMARY OF TRANSFORMER(S) MUST BE MOVED FROM THE 230V TO THE 208V TAP. REFER TO WIRING DIAGRAM ON UNIT FOR DETAILS.

Main power wiring should be sized for the minimum circuit ampacity shown on the unit's database. Size wires in accordance with the ampacity tables in Article 310 of the National Electrical Code. If long wires are required, it may be necessary to increase the wire size to prevent excessive voltage drop. Wires should be sized for a maximum of 3% voltage drop.

 CAUTION
TO AVOID RISK OF PROPERTY DAMAGE, PERSONAL INJURY OR FIRE, USE ONLY COPPER CONDUCTORS.

 CAUTION
TO PREVENT IMPROPER AND DANGEROUS OPERATION DUE TO WIRING ERRORS, LABEL ALL WIRES PRIOR TO DISCONNECTION WHEN SERVICING CONTROLS. VERIFY PROPER OPERATION AFTER SERVICING.

NOTE: A WEATHER-TIGHT DISCONNECT SWITCH, PROPERLY SIZED FOR THE UNIT TOTAL LOAD, MUST BE FIELD OR FACTORY INSTALLED. AN EXTERNAL FIELD SUPPLIED DISCONNECT MAY BE MOUNTED ON THE EXTERIOR PANEL. SWITCH SHALL BE PROVIDED TO ENSURE ALL-POLE DISCONNECTION FRONT THE SUPPLY MAINS.

Ensure the data plate is not covered by the field-supplied disconnect switch.

- Some disconnect switches are not fused. Protect the power leads at the point of distribution in accordance with the unit data plate.
- The unit must be electrically grounded in accordance with local codes or, in the absence of local codes, with the latest edition of the National Electrical Code ANSI/NFPA 70, and/or the Canadian Electrical Code, CSA C22.1, Part 1. A ground lug is provided for this purpose. Do not use the ground lug for connecting a neutral conductor.
- Connect power wiring to the electrical power block located within the main control box.



WARNING

FAILURE OF UNIT DUE TO OPERATION ON IMPROPER LINE VOLTAGE OR WITH EXCESSIVE PHASE UNBALANCE CONSTITUTES PRODUCT ABUSE AND IS NOT COVERED BY THE WARRANTY AND MAY CAUSE SEVERE DAMAGE TO THE UNIT ELECTRICAL COMPONENTS.

AREAS WITHOUT CONVENIENCE OUTLET

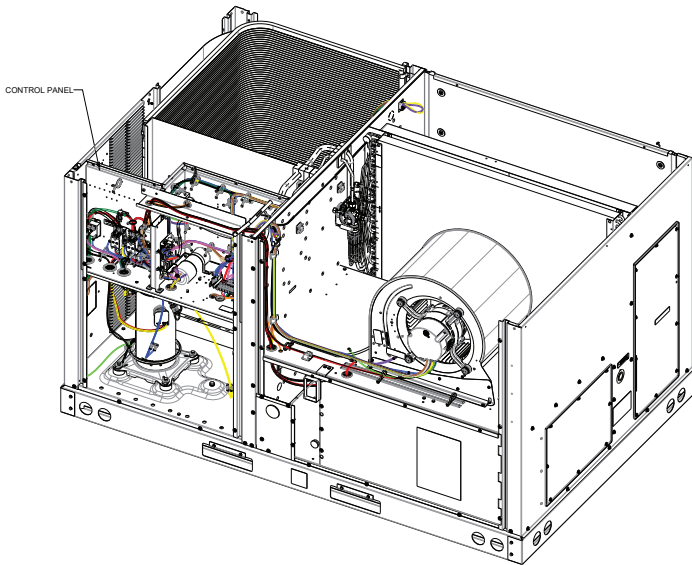
It is recommended that an independent 115V power source be brought to the vicinity of the roof top unit for portable lights and tools used by the service mechanic.

NOTE: REFER TO LOCAL CODES FOR REQUIREMENTS. THESE OUTLETS CAN ALSO BE FACTORY INSTALLED.

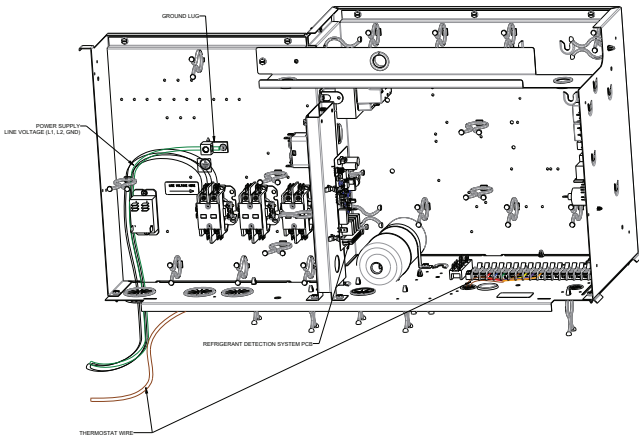
UNITS INSTALLED ON ROOF TOPS

Main power and low voltage wiring may enter the unit through the condenser end of unit or through the roof curb. Install conduit connectors at the desired entrance locations. External connectors must be weatherproof. All holes in the unit base must be sealed (including those around conduit nuts) to prevent water leakage into building. All required conduit and fittings are to be field supplied.

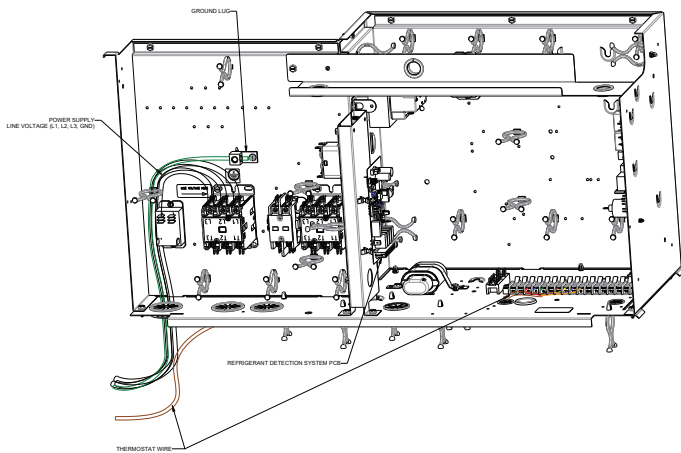
Supply voltage to roof top unit must not vary by more than 10% of the value indicated on the unit data plate. Phase voltage unbalance must not exceed 2%. Contact your local power company for correction of improper voltage or phase unbalance.



POWER AND LOW VOLTAGE BLOCK CONNECTIONS

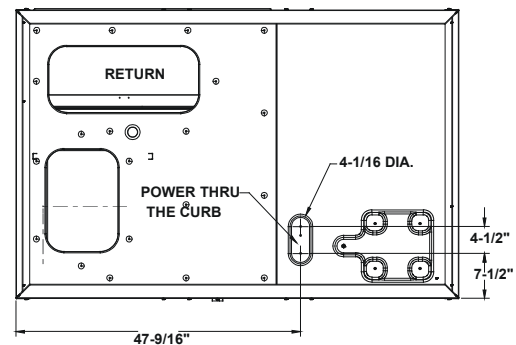
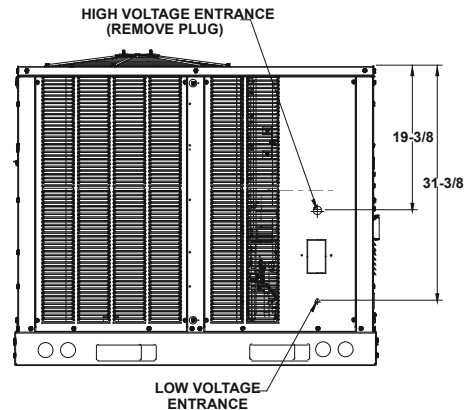


SINGLE-PHASE FIELD CONNECTIONS



THREE-PHASE FIELD CONNECTIONS

NOTE: DEPENDING ON THE OPTIONS INSTALLED, THE LOCATION OF THE COMPONENTS MAY VARY IN SOME MODELS.



ELECTRICAL ENTRANCE AND THRU CURB (BOTTOM VIEW OF UNIT)

LOW VOLTAGE CONTROL WIRING

1. A 24V thermostat must be installed for unit operation unless the DDC controls option has been installed.
2. Locate thermostat or remote sensor in the conditioned space where it will sense average temperature. Do not locate the device where it may be directly exposed to supply air, sunlight or other sources of heat. Follow installation instructions packaged with the thermostat.
3. Use #18 AWG wire for 24V control wiring runs not exceeding 75 feet. Use #16 AWG wire for 24V control wiring runs not exceeding 125 feet. Use #14 AWG wire for 24V control wiring runs not exceeding 200 feet. Low voltage wiring may be National Electrical Code (NEC) Class 2 where permitted by local codes.
4. Route thermostat wires from sub-base terminals to the unit. Control wiring should enter through the condenser panel opening or through curb indicated in "Electrical Entrance" figure. Connect thermostat and any accessory wiring to low voltage terminal block TB1 in the main control box.

NOTE: FIELD-SUPPLIED CONDUIT MAY NEED TO BE INSTALLED DEPENDING ON UNIT/CURB CONFIGURATION. USE #18 AWG SOLID CONDUCTOR WIRE WHENEVER CONNECTING THERMOSTAT WIRES TO TERMINALS ON SUB-BASE. DO NOT USE LARGER THAN #18 AWG WIRE. A TRANSITION TO #18 AWG WIRE MAY BE REQUIRED BEFORE ENTERING THERMOSTAT SUB-BASE.

NOTE: REFER TO UNIT WIRING DIAGRAMS FOR THERMOSTAT OR REMOTE SENSOR CONNECTIONS.

GAS SUPPLY PIPING

 WARNING
<p>TO PREVENT PERSONAL INJURY OR DEATH DUE TO IMPROPER INSTALLATION, ADJUSTMENT, ALTERATION, SERVICE OR MAINTENANCE, REFER TO THIS MANUAL. FOR ADDITIONAL ASSISTANCE OR INFORMATION, CONSULT A QUALIFIED INSTALLER, SERVICER AGENCY OR THE GAS SUPPLIER.</p>

IMPORTANT NOTE: THIS UNIT IS FACTORY SET TO OPERATE ON NATURAL GAS AT THE ALTITUDES SHOWN ON THE RATING PLATE.

 WARNING
<p>TO AVOID PROPERTY DAMAGE, PERSONAL INJURY OR DEATH WHEN EITHER USING PROPANE GAS ALONE OR AT HIGHER ALTITUDES, OBTAIN AND INSTALL THE PROPER CONVERSION KIT(S). FAILURE TO DO SO CAN RESULT IN UNSATISFACTORY OPERATION AND/OR EQUIPMENT DAMAGE. HIGH ALTITUDE KITS ARE FOR U.S. INSTALLATIONS ONLY AND ARE NOT APPROVED FOR USE IN CANADA.</p>

The rating plate is stamped with the model number, type of gas and gas input rating. Make sure the unit is equipped to operate on the type of gas available. Conversion to propane (LP) gas is permitted with the use of the factory authorized conversion kit (see the unit Technical Manual for the appropriate kit). For High Altitude derates, refer to the latest edition of the National Fuel Gas Code NFPA 54/ANSI Z223.1 or National Standard of Canada, Natural Gas and Propane Installation Code, CSA B149.1.

INLET GAS PRESSURE	
NATURAL	Min. 5.0" W.C., Max. 10.0" W.C.
PROPANE	Min. 11.0" W.C., Max. 13.0" W.C.

INLET GAS PRESSURE MUST NOT EXCEED MAXIMUM VALUE SHOWN IN TABLE ABOVE.

The minimum supply pressure should not vary from that shown in the table above because this could prevent the unit from having dependable ignition. In addition, gas input to the burners must not exceed the rated input shown on the rating plate. Overfiring of the unit could result in premature heat exchanger failure.

PIPING

IMPORTANT NOTE: TO AVOID POSSIBLE UNSATISFACTORY OPERATION OR EQUIPMENT DAMAGE DUE TO UNDER FIRING OF EQUIPMENT, DO NOT UNDERSIZE THE NATURAL/PROPANE GAS PIPING FROM THE METER/TANK TO THE UNIT. WHEN SIZING A TRUNK LINE, INCLUDE ALL APPLIANCES ON THAT LINE THAT COULD BE OPERATED SIMULTANEOUSLY.

The gas line installation must comply with local codes, or in the absence of local codes, with the latest edition of the National Fuel Gas Code NFPA 54 / ANSI Z223.1.

NATURAL GAS CONNECTION

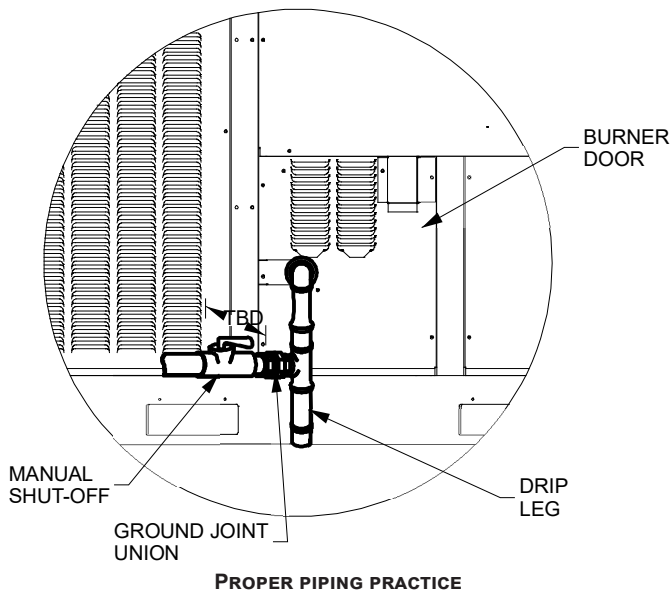
Natural Gas Capacity of Pipe in Cubic Feet of Gas Per Hour (CFH)					
Length of Pipe in Feet	Nominal Black Pipe Size (inches)				
	1/2	3/4	1	1 1/4	1 1/2
10	132	278	520	1050	1600
20	92	190	350	730	1100
30	73	152	285	590	980
40	63	130	245	500	760
50	56	115	215	440	670
60	50	105	195	400	610
70	46	96	180	370	560
80	43	90	170	350	530
90	40	84	160	320	490
100	38	79	150	305	460

Pressure= .50 PSIG or less and Pressure Drop of 0.3" W.C.
(Based on 0.60 Specific Gravity Gas)

$$CFH = \frac{BTUH \text{ Furnace Input}}{\text{Heating Value of Gas (BTU/Cubic Foot)}}$$


Refer to the Proper Piping Practice drawing for the general layout at the unit. The following rules apply:

1. Use black iron pipe and fittings for the supply piping. The use of a flex connector and/or copper piping is permitted as long as it is in agreement with local codes.
2. Use pipe joint compound on male threads only. Pipe joint compound must be resistant to the action of the fuel used.
3. Use ground joint unions.
4. Install a drip leg to trap dirt and moisture before it can enter the gas valve. The drip leg must be a minimum of three inches long.
5. Use two pipe wrenches when making connection to the gas valve to keep it from turning.
6. Install a manual shut-off valve in a convenient location (within six feet of unit) between the meter and the unit.
7. Tighten all joints securely.
8. The unit must be connected to the building piping by one of the following methods:
 - Rigid metallic pipe and fittings
 - Semirigid metallic tubing and metallic fittings (Aluminum alloy tubing must not be used in exterior locations).
 - Listed gas appliance connectors used in accordance with the terms of their listing that are completely in the same room as the equipment. Always use a new listed connector.
 - In the prior two methods above the connector or tubing must be protected from physical and thermal damage. Aluminum alloy tubing and connectors must be coated to protect against external corrosion when in contact with masonry, plaster or insulation or are subject to repeated wettings by liquids (water - not rain water, detergents or sewage).



NOTE: THE UNIT GAS SUPPLY ENTRANCE IS FACTORY SEALED WITH PLUGS. KEEP PLUGS IN PLACE UNTIL GAS SUPPLY IS READY TO BE INSTALLED. ONCE READY, REPLACE THE PLUGS WITH THE SUPPLIED GROMMETS AND INSTALL GAS SUPPLY LINE.


GAS PIPING CHECKS

 CAUTION
<p>TO PREVENT PROPERTY DAMAGE OR PERSONAL INJURY DUE TO FIRE, THE FOLLOWING INSTRUCTIONS MUST BE PREFORMED REGARDING GAS CONNECTIONS AND PRESSURE TESTING:</p> <ul style="list-style-type: none"> • THE UNIT AND ITS GAS CONNECTIONS MUST BE LEAK TESTED BEFORE PLACING IN OPERATION. BECAUSE OF THE DANGER OF EXPLOSION OR FIRE, NEVER USE A MATCH OR OPEN FLAME TO TEST FOR LEAKS. NEVER EXCEED SPECIFIED PRESSURES FOR TESTING. HIGHER PRESSURE MAY DAMAGE GAS VALVE AND CAUSE OVERFIRING WHICH MAY RESULT IN PREMATURE HEAT EXCHANGE FAILURE. • THIS UNIT AND ITS SHUT-OFF VALVE MUST BE DISCONNECTED FROM THE GAS SUPPLY DURING ANY PRESSURE TESTING OF THAT SYSTEM AT TEST PRESSURES IN EXCESS OF ½ PSIG (3.48 kPa). • THIS UNIT MUST BE ISOLATED FROM THE GAS SUPPLY SYSTEM BY CLOSING ITS MANUAL SHUT-OFF VALVE DURING ANY PRESSURE TESTING OF THE GAS SUPPLY PIPING SYSTEM AT TEST PRESSURES EQUAL TO OR LESS THAN ½ PSIG (3.48 kPa).

 WARNING
<p>TO AVOID PROPERTY DAMAGE OR PERSONAL INJURY, BE SURE THERE IS <u>NO OPEN FLAME</u> IN THE VICINITY DURING AIR BLEEDING.</p>

There will be air in the gas supply line after testing for leaks on a new installation. Therefore, the air must be bled from the line by loosening the ground joint union until pure gas is expelled. Tighten union and wait for five minutes until all gas has been dissipated in the air. Be certain there is no open flame in the vicinity during air bleeding procedure. The unit is placed in operation by closing the main electrical disconnect switch for the unit.

PROPANE GAS INSTALLATIONS

 WARNING
<p>TO AVOID PROPERTY DAMAGE, PERSONAL INJURY OR DEATH DUE TO FIRE OR EXPLOSION CAUSED BY A PROPANE GAS LEAK, INSTALL A GAS DETECTING WARNING DEVICE. SINCE RUST CAN REDUCE THE LEVEL OF ODORANT IN PROPANE GAS, A GAS DETECTING WARNING DEVICE IS THE ONLY RELIABLE WAY TO DETECT A PROPANE GAS LEAK. CONTACT A LOCAL PROPANE GAS SUPPLIER ABOUT INSTALLING A GAS DETECTING WARNING DEVICE.</p>

IMPORTANT NOTE: PROPANE GAS CONVERSION KITS MUST BE INSTALLED TO CONVERT UNITS TO PROPANE GAS. NOX SCREENS MUST BE REMOVED BEFORE CONVERTING TO LP. REMOVE BURNER ASSEMBLY AND PULL NOX SCREENS FROM EACH BURNER TUBE. WHEN ALL THE SCREENS ARE OUT, REASSEMBLE THE BURNER ASSEMBLY WITHOUT THE SCREENS.

All propane gas equipment must conform to the safety standards of NFPA 58 - Liquefied Petroleum Gas Code.

For satisfactory operation, propane gas pressure must be within 9.7 - 10.3 inches w.c. for high fire at the manifold with all gas appliances in operation. Maintaining proper gas pressure depends on three main factors:

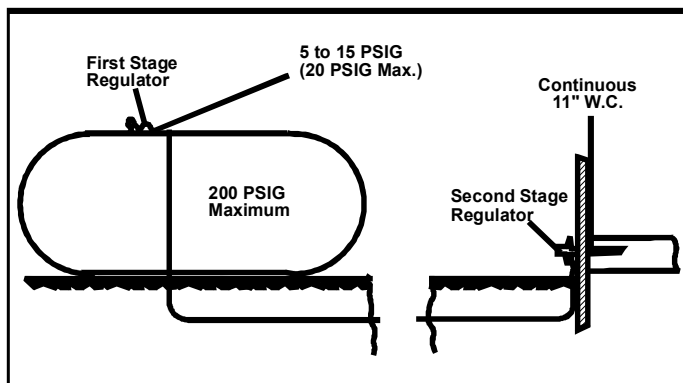
1. Vaporization rate, which depends on (a) temperature of the liquid, and (b) wetted surface area of the container or containers.
2. Proper pressure regulation.
3. Pressure drop in lines between regulators, and between second stage regulator and the appliance.
Pipe size required will depend on length of pipe run and total load of all appliances.

TANKS AND PIPING

Complete information regarding tank sizing for vaporization, recommended regulator settings and pipe sizing is available from most regulator manufacturers and propane gas suppliers.

Since propane gas will quickly dissolve white lead or most standard commercial compounds, special pipe dope must be used. Shellac base compounds resistant to the actions of liquefied petroleum gases such as Gasolac®, Stalactic®, Clyde's® or John Crane® are satisfactory.

See the following figure for typical propane gas piping.



TYPICAL PROPANE GAS PIPING

ROOF TOP LOCATION AND INSTALLATION

The gas supply piping location and installation for roof top units must be in accordance with local codes or, in the absence of local codes, with ordinances of the latest edition of the National Fuel Gas Code ANSI Z223.1/NFPA 54.

A manual gas shut off valve must be field installed external to the roof top unit. In addition, a drip leg must be installed near the inlet connection. A ground joint union connection is required between the external shut off valve and the unit connection to the gas valve to permit removal of the burner assembly for servicing.

1. Route gas piping to unit so that it does not interfere with the removal of access panels. Support and align piping to prevent strains or misalignment of the manifold assembly.

2. All units are furnished with standard female ½" NPT pipe connections. The size of the gas supply piping to the unit must be based on length of run, number of units on the system, gas characteristics, BTU requirement and available supply pressure. All piping must be done in accordance with local codes or, in the absence of local codes, with the latest edition of the National Fuel Gas Code ANSI Z223.1/NFPA 54.

NOTE: THE GAS CONNECTION SIZE AT THE UNIT DOES NOT ESTABLISH THE SIZE OF THE SUPPLY LINE.

3. These units are designed for either natural or propane (LP) gas and are specifically constructed at the factory for only one of these fuels. The fuels are NOT interchangeable. However, the furnace can be converted in the field from natural gas to LP gas with the appropriate factory kit (see unit Technical Manual for the appropriate kit). Only a qualified contractor, experienced with natural and propane gas systems, should attempt conversion. Kit instructions must be followed closely to assure safe and reliable unit operation.
4. With all units on a common line operating under full fire, natural gas main supply pressure should be adjusted to approximately 7.0" w.c., measured at the unit gas valve. If the gas pressure at the unit is greater than 10.0" w.c., the contractor must furnish and install an external type positive shut off service pressure regulator. The unit will not function satisfactorily if supply gas pressure is less than 5.0" w.c. or greater than 10.0" w.c.

NOTE: A MINIMUM HORIZONTAL DISTANCE OF 48" BETWEEN THE REGULATOR AND THE FURNACE FLUE DISCHARGE IS REQUIRED.

5. With all units on a common line operating under full LP gas main supply pressure should be at least 11.0" w.c. and must be no greater than 13.0" w.c., measured at the unit gas valve. Unit will not function satisfactorily if supply gas pressure is less than 11.0" w.c. or greater than 13.0" w.c..
6. All pipe connections should be sealed with a pipe thread compound, which is resistant to the fuel used with the furnace. A soapy water solution should be used to check all joints for leaks. A tap is located on the entering side of the gas valve for test gauge connection to measure supply (main) gas pressure. Another tap is provided on the manifold side of the gas valve for checking manifold pressure.



WARNING

THIS UNIT AND ITS INDIVIDUAL SHUTOFF VALVE MUST BE DISCONNECTED FROM THE GAS SUPPLY SYSTEM DURING ANY PRESSURE TESTING OF THAT SYSTEM AT TEST PRESSURES IN EXCESS OF ½ PSIG (13.8" w.c.).



CAUTION

THIS UNIT MUST BE ISOLATED FROM THE GAS SUPPLY PIPING SYSTEM BY CLOSING ITS INDIVIDUAL MANUAL SHUTOFF VALVE DURING ANY PRESSURE TESTING EQUAL TO OR LESS THAN ½ PSIG.

7. There must be no obstruction to prevent the flow of combustion and ventilating air. A vent stack is not required and must never be used. The power venter will supply an adequate amount of combustion air as long as the air passageways are kept free of any obstructions and the recommended external unit clearances are maintained.

CIRCULATING AIR AND FILTERS

DUCTWORK

The supply duct from the unit through a wall may be installed without clearance. However, minimum unit clearances must be maintained (see "Clearances" section). The supply duct should be provided with an access panel large enough to inspect the air chamber downstream of the heat exchanger. A cover should be tightly attached to prevent air leaks. False ceilings or drop ceilings may be used as a return air plenum.

NOTE: ADEQUATE RETURN GRILLS HAVE TO BE SUPPLIED FOR EACH ROOM FOR PROPER RETURN FOR THAT SPACE.

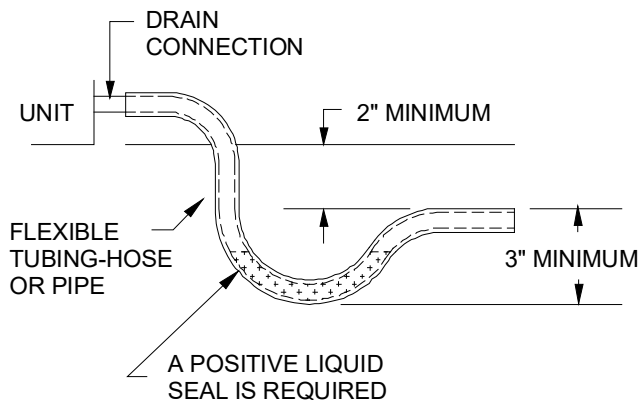
Ductwork dimensions are shown in the roof curb installation manual.

If desired, supply and return duct connections to the unit may be made with flexible connections to reduce possible unit operating sound transmission.

CONDENSATE DRAIN CONNECTION

CONDENSATE DRAIN CONNECTION

A ¾" female NPT drain connection is supplied on the end of the unit and bottom of the drain pan for condensate piping. An external trap must be installed for proper condensate drainage. Hand tighten drain fitting to the drain connection.



DRAIN CONNECTION

Install condensate drain trap as shown. Use ¾" drain line and fittings or larger. Do not operate without trap.

HORIZONTAL DRAIN

Drainage of condensate directly onto the roof may be acceptable; refer to local code. It is recommended that a small drip pad of either stone, mortar, wood or metal be provided to prevent any possible damage to the roof.

VERTICAL DRAIN

To use the bottom drain connection, remove the drain plug from the bottom connection and install it in the horizontal connection.

CLEANING

Due to the fact that drain pans in any air conditioning unit will have some moisture in them, algae and fungus will grow due to airborne bacteria and spores. Periodic cleaning is necessary to prevent this build-up from plugging the drain.

STARTUP, ADJUSTMENTS, AND CHECKS



WARNING

HIGH VOLTAGE!

TO AVOID PERSONAL INJURY OR DEATH DUE TO ELECTRICAL SHOCK, BOND THE FRAME OF THIS UNIT TO THE BUILDING ELECTRICAL GROUND BY USE OF THE GROUNDING TERMINAL PROVIDED OR OTHER ACCEPTABLE MEANS. DISCONNECT ALL POWER BEFORE SERVICING OR INSTALLING THIS UNIT.



CAUTION

TO PREVENT PROPERTY DAMAGE OR PERSONAL INJURY, DO NOT START THE UNIT UNTIL ALL NECESSARY PRE-CHECKS AND TESTS HAVE BEEN PERFORMED.

NOTE: BLOWER MOTOR ROTATION CAN NOT BE USED TO DETERMINE PROPER PHASING OF THE UNIT.

Place manifold gage sets on the compressor suction and discharge lines and observe pressures. Suction pressure should drop and discharge pressure should increase. If this is not observed, disconnect electrical power to the unit, lock/tag-out, and swap line voltages L1 and L2.

PRE-STARTUP INSTRUCTIONS

Prior to the beginning of Startup, Adjustments, and Checks procedures, the following steps should be completed in the building.



WARNING

MOVING MACHINERY HAZARD!

To prevent possible personal injury or death, disconnect power to the unit and padlock in the "OFF" position before servicing fans.

This unit is equipped with an electronic ignition device to automatically light the main burners. It also has a power vent blower to exhaust combustion products.

On new installations, or if a major component has been replaced, the operation of the unit must be checked. Check unit operation as outlined in the following instructions. If any sparking, odors, or unusual sounds are encountered, shut off electrical power and recheck for wiring errors, or obstructions in or near the blower motors. **Duct covers must be removed before operating unit.**

The Startup, Adjustments, and Checks procedure provides a step-by-step sequence which, if followed, will assure the proper startup of the equipment in the minimum amount of time. Air balancing of duct system is not considered part of this procedure. However, it is an important phase of any air conditioning system startup and should be performed upon completion of the Startup, Adjustments, and Checks procedure. The Startup, Adjustments, and Checks procedure at outside ambients below 55°F should be limited to a readiness check of the refrigeration system with the required final check and calibration left to be completed when the outside ambient rises above 55°F.

TEMPORARY HEATING OR COOLING

If the unit is to be used for temporary heating or cooling, a "Startup, Adjustments, and Checks" must first be performed in accordance with this manual. Damage or repairs due to failure to comply with these requirements are not covered under the warranty. **After** the machines are used for temporary heating or cooling, inspect the coils, fans, and motors for unacceptable levels of construction dust and dirt and install new filters.

CONTRACTOR RESPONSIBILITY

The installing contractor must be certain that:

- All supply and return air ductwork is in place, properly sealed, and corresponds with installation instructions.
- All thermostats are mounted and wired in accordance with installation instructions.
- All electric power, all gas, and the condensate drain installation have been made to each unit on the job. These main supply lines must be functional and capable of operating all units simultaneously.
- Requirements are met for venting and combustion air.
- Air filters are in place.
- Input rate and temperature rise are adjusted per rating plate.

ROOF CURB INSTALLATION CHECK

Inspect the roof curb for correct installation. The unit and curb assembly should be level. Inspect the flashing of the roof mounting curb to the roof, especially at the corners, for good workmanship. Also check for leaks around gaskets. Note any deficiencies in a separate report and forward to the contractor.

OBSTRUCTIONS, FAN CLEARANCE AND WIRING

Remove any extraneous construction and shipping materials that may be found during this procedure. Rotate all fans manually to check for proper clearances and that they rotate freely. Check for bolts and screws that may have jarred loose during shipment to the job site. Retighten if necessary. Retighten all electrical connections.

FIELD DUCT CONNECTIONS

Verify that all duct connections are tight and that there is no air bypass between supply and return.

FILTER SECTION CHECK

Remove filter section access panels and check that filters are properly installed. Note airflow arrows on filter frames.

PRE-STARTUP PRECAUTIONS

It is important to your safety that the unit has been properly grounded during installation. Check ground lug connection in main control box for tightness prior to closing circuit breaker or disconnect switch. Verify that supply voltage on line side of disconnect agrees with voltage on unit identification plate and is within the utilization voltage range as indicated in Appendix B Electrical Data.

System Voltage - That nominal voltage value assigned to a circuit or system for the purpose of designating its voltage class.

Nameplate Voltage - That voltage assigned to a piece of equipment for the purpose of designating its voltage class and for the purpose of defining the minimum and maximum voltage at which the equipment will operate.

Utilization Voltage - The voltage of the line terminals of the equipment at which the equipment must give fully satisfactory performance. Once it is established that supply voltage will be maintained within the utilization range under all system conditions, check and calculate if an unbalanced condition exists between phases. Calculate percent voltage unbalance as follows.

THREE PHASE MODELS ONLY

$$3) \text{ PERCENT VOLTAGE UNBALANCE} = 100 \times \frac{2) \text{ MAXIMUM VOLTAGE DEVIATIONS FROM AVERAGE VOLTAGE}}{1) \text{ AVERAGE VOLTAGE}}$$

HOW TO USE THE FORMULA:

EXAMPLE: Line to Neutral Voltage of 220, 216, and 213

1) Average Voltage = $220+216+213=649 / 3 = 216$

2) Maximum Voltage Deviations from Average Voltage = $220 - 216 = 4$

$$3) \text{ Percent Voltage Unbalance} = 100 \times \frac{4}{216} = \frac{400}{216} = 1.8\%$$

Percent voltage unbalance MUST NOT exceed 2%.

AIR FLOW ADJUSTMENTS

When the final adjustments are complete, the current draw of the motor should be checked and compared to the full load current rating of the motor. The amperage must not exceed the service factor stamped on the motor nameplate. The total airflow must not be less than that required for operation of the furnace.

If an economizer is installed, check the unit operating balance with the economizer at full outside air and at minimum outside air.

NOTE: NEVER RUN HIGH STAGE CFM BELOW 300 CFM PER TON EVAPORATOR FREEZING OR POOR UNIT PERFORMANCE IS POSSIBLE.

EEM - STANDARD STATIC DRIVE MOTOR

Adjust the CFM for the unit by changing the position of the low voltage leads on the terminal block TB1. Refer to Appendix A for blower performance at each speed tap. The table below shows RECOMMENDED SPEED TAPS for heating and cooling. Refer to Appendix D for maximum and minimum allowed airflow for heating and cooling.

RECOMMENDED SPEED TAPS 3-5T 1 PHASE STANDARD STATIC					
INDOOR MOTOR TAPS	T1	T2	T3	T4	T5
FAN (GR)	X	-	-	-	-
COOLING (YL)	-	X	-	X	X
HIGH HEAT (BR)	-	-	X	-	-

RECOMMENDED SPEED TAPS 3-5T 3 PHASE STANDARD STATIC					
INDOOR MOTOR TAPS	T1	T2	T3	T4	T5
FAN / LOW HEAT (GR)	X	-	-	-	-
COOLING (YL)	-	X	-	X	X
HIGH HEAT (BR)	-	-	X	-	-

NOTE: IF MORE THAN ONE LEAD IS ENERGIZED SIMULTANEOUSLY, THE MOTOR WILL RUN AT THE HIGHER SPEED.

RECOMMENDED SPEED TAPS 3-5T HIGH STATIC										
INDOOR MOTOR TAPS	T1	T2	T3	T4	T5	T1'	T2'	T3'	T4'	T5'
FAN / LOW HEAT (GR)	X	-	-	-	-	X	-	-	-	-
COOLING (YL)	-	X	-	X	-	-	X	-	X	-
HIGH HEAT (BR)	-	-	X	-	X	-	-	X	-	X

RECOMMENDED SPEED TAPS 6T STANDARD AND HIGH STATIC										
INDOOR MOTOR TAPS	T1	T2	T3	T4	T5	T1'	T2'	T3'	T4'	T5'
FAN / LOW HEAT (GR)	X	-	-	-	-	X	-	-	-	-
COOLING STG1 (YL)	-	X	-	-	-	-	X	-	-	-
COOLING STG2 (PU)	-	-	X	X	X	-	-	X	X	X
HIGH HEAT (BR)	-	-	X	X	X	-	-	X	X	X

NOTE: FOR MOTORS WITH 10 SPEED TAPS DH = 0VAC USES SPEED TAPS T1-T5. DH = 24VAC USES SPEED TAPS T1' - T5'.

For gas heat units, the airflow must be adjusted so that the air temperature rise falls within the ranges given stated on Data Plate.

ELECTRICAL INPUT CHECK

Make preliminary check of evaporator fan ampere draw and verify that motor nameplate amps are not exceeded. A final check of amp draw should be made upon completion of air balancing of the duct system (see Appendix B).

GAS SYSTEM CHECK

PRE-OPERATION CHECKS

1. Close the manual gas valve external to the unit.
2. Turn off the electrical power supply to the unit.
3. Change heating setpoint to its lowest possible setting.
4. Remove the heat exchanger door on the side of the unit by removing screws.
5. This unit is equipped with an ignition device which automatically lights the main burner. DO NOT try to light burner by any other method.
6. Move the gas control valve switch to the OFF position.
7. Wait five minutes to clear out any gas.
8. Smell for gas, including near the ground. This is important because some types of gas are heavier than air. If you have waited five minutes and you do smell gas, immediately follow the warning WHAT TO DO IF YOU SMELL GAS on page 2 of this manual. If having waited for five minutes and no gas smell is noted, move the gas control valve switch to the ON position.
9. Replace the heat exchanger door on the side of the unit.
10. Open the manual gas valve external to the unit.
11. Turn on the electrical power supply to the unit.
12. Change heating setpoint to desired setting.

GAS SUPPLY PRESSURES & REGULATOR ADJUSTMENTS



WARNING

SHOULD OVERHEATING OCCUR OR THE GAS SUPPLY FAIL TO SHUT OFF, TURN OFF THE MANUAL GAS SHUTOFF VALVE EXTERNAL TO THE UNIT BEFORE TURNING OFF THE ELECTRICAL SUPPLY.



WARNING

TO AVOID PROPERTY DAMAGE, PERSONAL INJURY OR DEATH, DO NOT FIRE GAS UNIT WITH FLUE BOX COVER REMOVED.

NOTE: EXCEPT DURING BRIEF PERIODS WHEN GAS PRESSURES ARE BEING MEASURED BY QUALIFIED SERVICE PERSONNEL, THE FURNACE ACCESS PANEL MUST ALWAYS BE SECURED IN PLACE WHEN THE FURNACE IS IN OPERATION. AN INSPECTION PORT IN THE ACCESS PANEL IS PROVIDED TO MONITOR THE FLAME.

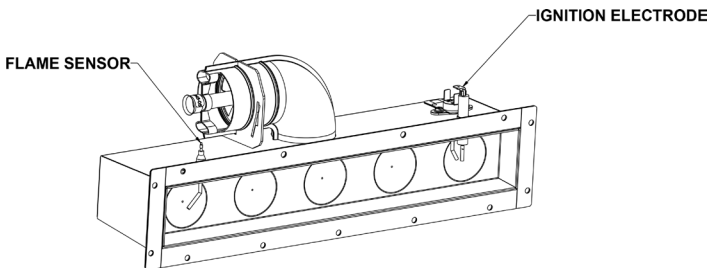
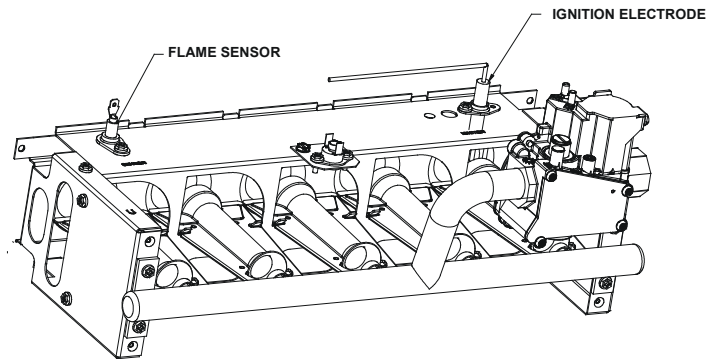
The first step in checking out the gas-fired furnace is to test the gas supply piping to the unit for tightness and purge the system of air using methods outlined in the latest edition of the National Fuel Gas Code ANSI Z223.1 / NFPA 54. Verify that the disconnect switch is in the "OFF" position. A soapy water solution should be used to check for gas leaks.

Since the unit is subject to considerable jarring during shipment, it is extremely important that all gas connections and joints be tested for tightness. Gas piping downstream from the unit inlet should be checked for leaks during the subsequent sequence check.

The supply gas pressure should be adjusted to 7.0" w.c. on natural gas and 11" to 13.0" w.c. on LP gas with the gas burners operating. If there is more than one unit on a common gas line, the pressures should be checked with all units under full fire. A supply pressure tap is provided on the upstream side of the gas valve. A manifold pressure tap is provided on the manifold side of the gas valve. The normal manifold pressure for High fire is 3.5" w.c. on natural gas and 10.0" w.c. for propane gas. Low fire natural gas 2.0" w.c., 6.0" w.c. low fire propane gas. Minimum gas supply pressure is 5.0" w.c. for natural gas and 11.0" w.c. for propane gas.

ULN models do not have a low fire setting.

Do not attempt adjustment of the built-in pressure regulator unless the supply pressure is at least 5.0" w.c. on natural gas or 11.0" w.c. on propane gas.



FLAME SENSOR AND IGNITION ELECTRODE LOCATION

TONNAGE	HIGH FIRE RATE	NUMBER OF BURNERS	NG ORIFICE	LP ORIFICE
3	45,000	2	43	55
	70,000	3	43	55
	90,000	4	43	55
4	70,000	3	43	55
	90,000	4	43	55
	115,000	5	43	55
5	90,000	4	43	55
	115,000	5	43	55
	140,000	6	43	55
6	90,000	4	43	55
	115,000	5	43	55
	140,000	6	43	55

HEAT EXCHANGER AND BURNER ORIFICE SPECIFICATIONS

NOTE: GAS APPLIANCES LOCATED MORE THAN 2000 FEET ABOVE SEA LEVEL MUST BE DERATED 4% PER 1000 FEET OF TOTAL ELEVATION AND THAT VARIANCE IN GAS HEATING VALUE AND SPECIFIC GRAVITY REQUIRE CHANGE IN MANIFOLD PRESSURE TO OBTAIN RATING, IT IS MANDATORY THAT THE INPUT BE ADJUSTED AT THE INSTALLATION SITE. ALL INSTALLATIONS SHOULD BE MADE AS OUTLINED IN THE LATEST EDITION OF THE NATIONAL FUEL GAS CODE ANSI Z223.1, SECTION "PROCEDURES TO BE FOLLOWED TO PLACE AN APPLIANCE IN OPERATION". REFER ALSO TO THE "USER'S INFORMATION MANUAL" SUPPLIED WITH THE UNIT FOR ADDITIONAL INFORMATION ON THE GAS FURNACE.

GAS SUPPLY AND MANIFOLD CHECK

Gas supply pressure and manifold pressure with the burners operating must be as specified on the rating plate.

GAS INLET PRESSURE CHECK

Gas inlet pressure must be checked and adjusted in accordance to the type of fuel being consumed.

WITH POWER AND GAS OFF:

1. Connect a manometer to the inlet pressure tap of the gas valve.

Inlet gas pressure can also be measured by removing the cap from the dripleg and installing a predrilled cap with a hose fitting.

WITH POWER AND GAS ON:

2. Put unit into heating cycle and turn on all other gas consuming appliances.

INLET GAS PRESSURE	
NATURAL	Min. 5.0" W.C., Max. 10.0" W.C.
PROPANE	Min. 11.0" W.C., Max. 13.0" W.C.

NOTE: INLET GAS PRESSURE MUST BE WITHIN LIMITS SHOWN ABOVE.

If operating pressures differ from above, make necessary pressure regulator adjustments, check piping size, etc., and/or consult with local utility.

MANIFOLD PRESSURE CHECK AND ADJUSTMENT

The gas valve has a pressure tap to facilitate measurement of the manifold pressure. The manifold pressure must be measured with the burners operating.

1. With disconnect switch open, remove field connected thermostat wire from terminal R, W1 and W2 on TB1. Place jumper wire between R, W1 and W2 to engage high stage heat.
2. See Figure in gas input check section for gas valve adjustment.

To adjust the pressure regulator, remove the adjustment screw cover on the gas valve. Turn the adjustment screw out (counterclockwise) to decrease pressure, turn in (clockwise) to increase pressure. Only small variations in gas flow should be made by means of the pressure regulator adjustment. Any major changes in flow should be made by changing the size of the burner orifices. The measured input rate to the furnace must not exceed the rating specified on the unit rating plate.

For natural gas, the high stage manifold pressure must be between 3.2 and 3.8 inches water column (3.5 nominal). Low stage manifold pressure must be between 1.7 to 2.3 inches water column (2.0 nominal).

3. To set low fire rate, open disconnect switch and remove jumper from R to W2. To set low fire manifold pressure, repeat steps above. Refer to Figure in gas input check section for location of high and low stage pressure adjustment.

For propane gas, the manifold pressure must be between 9.7 and 10.3 inches water column (10.0 nominal). Low stage manifold must be between 5.7 and 6.3 inches water column (6.0 nominal).

GAS INPUT (NATURAL GAS ONLY) CHECK

It is the responsibility of the contractor to adjust the gas input to the unit.

To measure the gas input use a gas meter and proceed as follows:

1. Turn off gas supply to all other appliances except the unit.
2. With the unit operating, time the smallest dial on the meter for one complete revolution. If this is a 2 cubic foot dial, divide the seconds by 2; if it is a 1 cubic foot dial, use the seconds as is. This gives the seconds per cubic foot of gas being delivered to the unit.
3. $INPUT = GAS\ HTG\ VALUE \times 3600 / SEC.\ PER\ CUBIC\ FOOT$

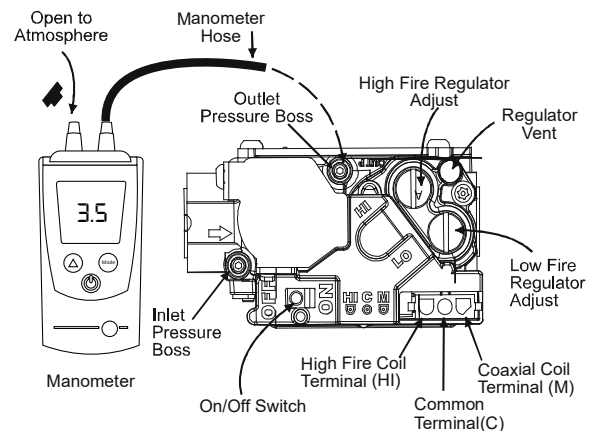
Example: Natural gas with a heating value of 1000 BTU per cubic foot and 34 seconds per cubic foot as determined by Step 2, then:

$$Input = 1000 \times 3600 / 34 = 106,000 \text{ BTU per Hour.}$$

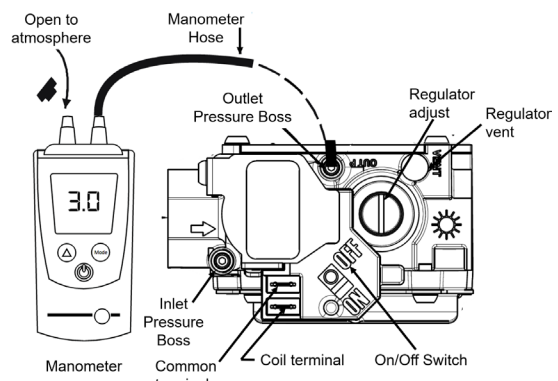
NOTE: BTU CONTENT OF THE GAS SHOULD BE OBTAINED FROM THE GAS SUPPLIER. THIS MEASURED INPUT MUST NOT BE GREATER THAN SHOWN ON THE UNIT RATING PLATE.

Adjust input rate by varying the adjustment of the gas pressure regulator on the gas valve. All adjustments must be made with furnace operating at high fire and at normal operating temperature. A manometer should be connected to the gas valve to verify pressure is within the specified range (see following figures for manometer connections). Clockwise rotation of the pressure regulator screw increases pressure and gas flow rate. Turn screw counterclockwise to decrease pressure and gas flow rate. After adjustment the furnace temperature rise must be within the range specified on the unit data plate.

NOTE: THERMAL EFFICIENCY OF THE FURNACE IS A PRODUCT EFFICIENCY RATING DETERMINED UNDER CONTINUOUS OPERATING CONDITIONS INDEPENDENT OF ANY INSTALLED SYSTEM.



WHITE-RODGERS (2-STAGE) GAS CONTROL VALVE CONNECTED TO MANOMETER PRESSURE ADJUSTMENTS



WHITE-RODGERS GAS CONTROL VALVE CONNECTED TO MANOMETER PRESSURE ADJUSTMENTS (ULN ONLY)

To connect manometer to gas valve:

1. Back outlet pressure tap screw (inside inlet pressure boss) out one turn (counterclockwise, not more than one turn).
2. Attach a hose and manometer to the outlet pressure boss of the valve.

To remove manometer from gas valve:

1. Remove manometer hose from outlet pressure boss.
2. Turn outlet pressure tap screw in to seal pressure port (clockwise, 7 in-lb. minimum).
3. Turn on electrical power and gas supply to the system.
4. Turn on system power and energize valve.
5. Using a leak detection solution or soap suds, check for leaks at pressure boss screw. Bubbles forming indicate a leak. SHUT OFF GAS AND FIX ALL LEAKS IMMEDIATELY.



CAUTION

TO PREVENT UNRELIABLE OPERATION OR EQUIPMENT DAMAGE, THE GAS MANIFOLD PRESSURE MUST BE AS SPECIFIED ON THE UNIT RATING PLATE. ONLY MINOR ADJUSTMENTS SHOULD BE MADE BY ADJUSTING THE GAS VALVE PRESSURE REGULATOR.

6. Relight all other appliances turned off in step 1 of gas input check. Be sure all pilot burners are operating.

MAIN BURNER FLAME CHECK

Flames should be stable, soft and blue (dust may cause orange tips but they must not be yellow) and extending directly outward from the burner without curling, floating or lifting off.

NOx SCREEN CHECK

Verify that the alignment of the NOx screens is at 6 o'clock. In jurisdictions that do not require low NOx emissions, NOx screens may be removed.

TEMPERATURE RISE CHECK

Check the temperature rise through the unit by placing thermometers in supply and return air registers as close to the unit as possible. Thermometers must not be able to sample temperature directly from the unit heat exchangers, or false readings could be obtained.

1. All registers must be open; all duct dampers must be in their final (fully or partially open) position and the unit operated for 15 minutes before taking readings
2. The temperature rise must be within the range specified on the rating plate.

NOTE: AIR TEMPERATURE RISE IS THE TEMPERATURE DIFFERENCE BETWEEN SUPPLY AND RETURN AIR.

With a properly designed system, the proper amount of temperature rise will normally be obtained when the unit is operated at rated input with the recommended blower speed.

If the correct amount of temperature rise is not obtained, it may be necessary to change the blower speed. A higher blower speed will lower the temperature rise. A slower blower speed will increase the temperature rise.

NOTE: BLOWER SPEED MUST BE SET TO GIVE THE CORRECT AIR TEMPERATURE RISE THROUGH THE UNIT AS MARKED ON THE RATING PLATE.

NORMAL SEQUENCE OF OPERATION

HEATING

NOTE: ON UNITS WITH THE DDC CONTROLS OPTION INSTALLED, REFER TO THE DDC CONTROLLER USER MANUAL FOR SEQUENCE OF OPERATION DETAILS.

This unit has one (RS) Manual Reset Limit Control Switch. Check the limit to make sure it has not tripped. The limit may arrive at the job site tripped as a result of shipping shock.

If the venter motor comes on, but the unit does not attempt ignition, check if the ALS (Auxiliary High Limit Control Switch) requires resetting.

1. With electricity and gas turned on, the system switch in the "HEAT" or "AUTO" position and the fan switch in the "AUTO" position, the thermostat will close the circuit between unit terminals R and W (R-W) when the temperature falls below the thermostat setting.
2. D1 on IIC energizes venter motor contactor.
3. Venter motor contactor energizes the venter motor.
4. Operation of the venter motor closes the pressure switch PS located in the burner compartment. Unless excessive temperatures or shipping shock have opened high limit control ALS, power is fed to the integrated ignition control, which then initiates a 15-second pre-purge time delay. During this period, the venter fan will clear the combustion chamber of any residual gas. For ULN models, at the end of pre-purge period, integrated control module transitions the induced draft blower to light-off setting.
5. After the pre-purge period, the ignition control energizes the WI-C gas valve and simultaneously initiates a "three (3)-try" spark ignition sequence.
6. When the burner(s) are ignited, a minimum one (1) micro-amp DC current will flow through the flame between the sensor electrode and the grounded burner.
7. When the controller proves that the flame has been established, it will keep the gas valve energized and discontinue the ignition spark.
8. If the control is unable to ignite the burners after its initial attempt, it will initiate another purge and spark sequence. A third purge and spark sequence will be initiated if the second attempt is unsuccessful. If the third attempt is unsuccessful, the controller will close the gas valve and lock itself out. It may be reset by momentarily interrupting power. This may be accomplished by briefly lowering the room thermostat set-point below room temperature, or by shutting off the main power to the unit.

9. Integrated ignition control will close its normally open contacts after a delay of approximately 30 seconds. This action energizes the blower motor contactor and starts the supply fan motor. Operation of the supply fan circulates air across the heat exchanger and delivers heated air to the conditioned space.
10. When the space temperature rises, the thermostat will open R-W. Opening R-W will cause the gas valve to close, and the furnace to shut down. For ULN models, induced draft blower keeps operating for 30 seconds post purge. Ignition control begins timing the HEAT FAN OFF delay. There is an adjustable HEAT FAN OFF delay of approximately 90/120/150/180 seconds (factory set at 150).
11. The furnace has three high temperature limit controls, which can shut down the burner. They do not shut down the venter motor.

NOTE: THIS DELAY ALLOWS ANY ADDITIONAL HEAT IN THE HEAT EXCHANGER TO BE TRANSFERRED TO THE CONDITIONED SPACE. AFTER THE HEAT FAN OFF DELAY TIME HAS ELAPSED, THE BLOWER WILL DE-ENERGIZE.

UNIT SHUTDOWN

1. Set the room heating setpoint to lowest setting.
2. Turn off the electrical power supply to the unit.
3. Remove the heat exchanger door on the side of the unit by removing screws.
4. Move the gas control valve switch to the OFF position.
5. Close manual gas shut off valve external to the unit.
6. Replace the heat exchanger door on the unit.
7. If cooling and/or air circulation will be desired, turn ON gas control valve switch and the electrical power.

AUTOMATIC RESET HIGH LIMIT CONTROL (LS)

Located in the burner compartment on the heat exchanger, its sensing element projects through the blower section bulkhead and senses the temperature at the rear of the furnace. It will cycle the furnace off if the temperature exceeds 100°F plus maximum rise.

AUXILIARY HIGH LIMIT CONTROL (ALS)

Located in the blower compartment on the blower housing, it senses air temperature within the blower compartment and protects the filters from excessive temperature. It will shut down the furnace if it senses excessive temperatures.

Elevated temperatures at the control are normally caused by blower failure. The reason for the shut down should be determined and repaired prior to resetting.

MANUAL RESET FLAME ROLLOUT CONTROL (RS)

Located in the burner compartment at the top of the burner assembly, it senses high temperature that could occur if the heat exchanger tubes were plugged and the flame was rolling out instead of entering the tubes. It has a manual push-button reset that cannot be actuated until the limit control has cooled.

BLOCKED INLET LIMIT CONTROL

Located in the burner compartment at the top of the burner assembly, it senses high temperature that could occur if the burner inlet is blocked.

The reason for elevated temperatures at the control should be determined and repaired prior to resetting this manual reset control.

REFRIGERANT DETECTION SYSTEM (RDS)

RDS FUNCTION

The mitigation system is a stationary device that detects the presence of R-32 refrigerant above 25% LFL using refrigerant sensors and then initiates mitigation actions. The mitigation system's primary function is to reduce the concentration of leaked R-32 refrigerant to prevent serious safety hazards. The mitigation actions are accomplished by halting HVAC operation and continuing indoor blower operation to provide airflow. Once refrigerant concentration reaches below a safe threshold, the unit will remain in mitigation mode for five minutes to evacuate any remaining R-32 refrigerant within the unit. Upon completion, the unit will resume its normal operation.

RDS OPERATION

The mitigation system is controlled by a refrigerant sensor(s), which is secured to a designated location(s) for active monitoring. If a leak is detected, HVAC operation is disabled and the indoor blower fan is activated, providing airflow at or above the minimum required airflow to evacuate excess concentration. If a Zone Control system is installed in the ductwork attached to this system, the Zone controller must be powered through a Daikin Zoning/Accessory PCB to ensure that the Zoning Dampers open during mitigation mode to provide ventilation throughout all ducting. If the unit is installed with a communicating thermostat, the thermostat will display relevant alerts/information concerning mitigation mode. Once sensors read concentration levels below a safe threshold, a five-minute timer will initiate. Once the time is over, the unit will resume its normal operation. If the sensors detect another concentration excess, the unit will go back into mitigation mode and will repeat the same process.



WARNING

TO AVOID PROPERTY DAMAGE, PERSONAL INJURY OR DEATH DUE TO FIRE OR EXPLOSION, A QUALIFIED SERVICER MUST INVESTIGATE THE REASON FOR THE ROLLOUT PROTECTION DEVICE TO OPEN BEFORE MANUALLY RESETTING THE ROLLOUT PROTECTION DEVICE.

TXV SUPERHEAT ADJUSTMENT

NOTE: SUPERHEAT ADJUSTMENTS SHOULD NOT BE MADE UNTIL INDOOR AMBIENT CONDITIONS HAVE STABILIZED AND CORRECT AIR FLOW (CFM) HAS BEEN VERIFIED. THIS COULD TAKE UP TO 24 HOURS DEPENDING ON INDOOR TEMPERATURE AND HUMIDITY. BEFORE CHECKING SUPERHEAT, RUN THE UNIT IN COOLING FOR 15-20 MINUTES OR UNTIL REFRIGERANT PRESSURE STABILIZES.

Unscrew the cover from the expansion valve, locate the adjustment screw, and turn in clockwise (in) to increase superheat or counterclockwise (out) to decrease superheat. It is recommended to make small adjustments at a time, 1/8 - 1/4 turn increments. Replace adjustment cap. Wait a minimum of 15 minutes between adjustments to allow time for the TXV and pressure to stabilize.

REFRIGERANT CHARGE CHECK

NOTE: FOR OPTIMAL PERFORMANCE, FOLLOW CHARGING INSTRUCTIONS BELOW.

UNITS WITH TXV

Single Stage Cooling Application:

Refer to the Unit Subcooling and Superheat table.

Two Stage Cooling Application:

Run unit on Low Stage cooling and refer to Unit Subcooling and Superheat table.

1. Purge gauge lines. Connect service gauge manifold to access fittings. Run system at least 15 minutes to allow pressure to stabilize.
2. Temporarily install thermometer on liquid (small) line near liquid line access fitting with adequate contact and insulation for best possible reading
3. Check subcooling and superheat. The appropriate range for each model is available in the Unit Subcooling and Superheat table.
 - a. If subcooling and superheat are low, adjust TXV superheat, then check subcooling.
 - b. If subcooling is low and superheat is high, add charge to raise subcooling then check superheat.
 - c. If subcooling and superheat are high, adjust TXV superheat, then check subcooling.
 - d. If subcooling is high and superheat is low, adjust TXV superheat and remove charge to lower the subcooling

NOTE: To adjust superheat, turn the valve stem clockwise to increase and counterclockwise to decrease. Refer to TXV Superheat Adjustment referenced in this manual.

NOTE: Do NOT adjust the charge based on suction pressure unless there is a gross undercharge. If an undercharge is suspected, recover the charge, re-evacuate the system, and recharge per data plate. No adjustments should be made if suspecting a charge issue.

4. Disconnect manifold set, installation is complete.

Model	Superheat (°F)	Subcooling (°F)	Expansion Device	Cooling Stage	Outdoor Ambient (°F)
DSG036	10-12	16-20	TXV	High	95
DSG048	12-15	16-18		High	95
DSG060	12-14	12-16		High	95
DSG072	12-14	2-5		Low	82


START-UP PROCEDURE AND CHECKLIST

Begin with power turned off at all disconnects.

1. Turn thermostat system switch to "Cool," and fan switch to "Auto" and turn temperature setting as high as it will go.
2. Inspect all registers and set them to the normal open position.
3. Turn on the electrical supply at the disconnect.
4. Turn the fan switch to the "ON" position. The blower should operate after a 7 second delay.
5. Turn the fan switch to "Auto" position. The blower should stop after a 60 second delay.
6. Slowly lower the cooling temperature until the unit starts. The compressor, blower and fan should now be operating. Allow the unit to run 10 minutes, make sure cool air is being supplied by the unit.
7. Turn the temperature setting to the highest position, stopping the unit. The indoor blower will continue to run for 60 seconds.
8. Turn the thermostat system switch to "OFF" and disconnect all power when servicing the unit.

REFRIGERATION SEQUENCE CHECK

1. 24VAC control voltage is provided by the control transformer to terminal XS. The control voltage is passed through any installed safety shutdown devices such as the smoke detector before providing 24VAC to terminals ES and R.
2. To simulate a mechanical call for cooling lower the room cooling setpoint to a value below the current room temperature. The cooling is energized when the room temperature is above the setpoint for cooling.
3. UNIT WITH ECONOMIZER OPTION: The compressor circuit is interlocked through of the economizer module. If the outdoor air enthalpy (temperature and humidity) is not suitable for cooling, the economizer will permit the compressor to be energized.
4. The blower motor is operated to provide cool supply air to the space.
5. Compressor contactor closes its contacts to provide power to the compressor motor. In addition, the condenser fan motor is energized through the compressor contactor.

 WARNING
BURN HAZARD! DO NOT TOUCH! DISCHARGE LINE MAY BE HOT!

6. Check that the compressor is operating correctly. The scroll compressors in these units MUST operate in the proper rotation. To ensure the compressor is operating in the correct direction, check the compressor discharge line pressure or temperature after the compressor is started.

The discharge pressure and discharge line temperature should increase. If this does not occur and the compressor is producing an exceptional amount of noise, perform the following checks.

1. If the compressor is operating backward, disconnect the unit power supply and lock it in the “OFF” position. Switch two leads of the power supply at the unit Single Point Power Block. Reconnect power and check for compressor and condenser fan motor operation.
2. With all safety devices closed, the system will continue cooling operation until the room temperature is satisfied.
3. Increasing the room cooling setpoint to a value above the current room temperature will simulate a satisfied thermostat. The compressor and the supply fan will cycle off.
4. After a time delay of approximately 3 minutes, the compressor control circuits will be ready to respond to a subsequent call for cooling.


REFRIGERATION PERFORMANCE CHECK



Check that compressor RLA corresponds to values shown in Appendix B. RLA draw can be much lower than values listed at low load conditions and low ambient condensing temperatures. Values in Appendix B can slightly exceed at high load conditions and high ambient condensing temperatures.


FINAL SYSTEM CHECKS

1. Check to see if all supply and return air grilles are adjusted and the air distribution system is balanced for the best compromise between heating and cooling.
2. Check for air leaks in the ductwork. See Sections on Air Flow Adjustments.
3. Make sure the unit is free of “rattles”, and the tubing in the unit is free from excessive vibration. Also make sure tubes or lines are not rubbing against each other or sheet metal surfaces or edges. If so, correct the trouble.
4. Set the thermostat at the appropriate setting for cooling and heating or automatic changeover for normal use.
5. Be sure the Owner is instructed on the unit operation, filter, servicing, correct thermostat operation, etc.

MAINTENANCE

 WARNING
<p>ELECTRICAL SHOCK, FIRE OR EXPLOSION HAZARD FAILURE TO FOLLOW SAFETY WARNINGS EXACTLY COULD RESULT IN DANGEROUS OPERATION, SERIOUS INJURY, DEATH OR PROPERTY DAMAGE.</p> <p>IMPROPER SERVICING COULD RESULT IN DANGEROUS OPERATION, SERIOUS INJURY, DEATH OR PROPERTY DAMAGE.</p> <ul style="list-style-type: none"> • BEFORE SERVICING, DISCONNECT ALL ELECTRICAL POWER TO FURNACE. • WHEN SERVICING CONTROLS, LABEL ALL WIRES PRIOR TO DISCONNECTING. RECONNECT WIRES CORRECTLY. • VERIFY PROPER OPERATION AFTER SERVICING.

 WARNING
<p>HIGH VOLTAGE! DISCONNECT ALL POWER BEFORE SERVICING OR INSTALLING THIS UNIT. MULTIPLE POWER SOURCES MAY BE PRESENT. FAILURE TO DO SO MAY CAUSE PROPERTY DAMAGE, PERSONAL INJURY OR DEATH.</p> 

 WARNING
<p>TO PREVENT PERSONAL INJURY OR DEATH DUE TO IMPROPER INSTALLATION, ADJUSTMENT, ALTERATION, SERVICE OR MAINTENANCE, REFER TO THIS MANUAL. FOR ADDITIONAL ASSISTANCE OR INFORMATION, CONSULT A QUALIFIED INSTALLER, SERVICER AGENCY OR THE GAS SUPPLIER.</p>

 CAUTION
<p>SHEET METAL PARTS, SCREWS, CLIPS AND SIMILAR ITEMS INHERENTLY HAVE SHARP EDGES, AND IT IS NECESSARY THAT THE INSTALLER AND SERVICE PERSONNEL EXERCISE CAUTION.</p>

Preventive maintenance is the best way to avoid unnecessary expense and inconvenience. Have this system inspected at regular intervals by qualified service personnel, at least twice a year. Routine maintenance should cover the following items:

1. Tighten all set screws, and wire connections.
2. Clean evaporator mechanically or with cold water, if necessary. Usually any fouling is only matted on the entering air face of the coil and can be removed by brushing.
3. Replace filters as needed (see below).
4. Check for blockage of condensate drain.
5. Check power and control voltages.
6. Check running amperage.
7. Check operating temperatures and pressures.
8. Check and adjust temperature and pressure controls.
9. Check and adjust damper linkages.
10. Check operation of all safety controls.
11. Examine gas furnaces (see below and the User's Information Manual).
12. Check condenser fans and tighten set screws.

FILTERS

 CAUTION
<p>TO PREVENT PROPERTY DAMAGE DUE TO FIRE AND LOSS OF EQUIPMENT EFFICIENCY OR EQUIPMENT DAMAGE DUE TO DUST AND LINT BUILD UP ON INTERNAL PARTS, NEVER OPERATE UNIT WITHOUT AN AIR FILTER INSTALLED IN THE RETURN AIR SYSTEM.</p>

Every application may require a different frequency of replacement of dirty filters. Filters must be replaced at least every three (3) months during operating seasons.

Dirty filters are the most common cause of inadequate heating or cooling performance. Filter inspection should be made at least every two months; more often if necessary because of local conditions and usage.

Dirty throwaway filters should be discarded and replaced with a new, clean filter.

Disposable return air filters are supplied with this unit. See the unit Specification Sheet or Technical Manual for the correct size and part number. To remove the filters, remove the filter access panel on return side of the unit.

CABINET FINISH MAINTENANCE

Use a fine grade automotive wax on the cabinet finish to maintain the finish's original high luster. This is especially important in installations with extended periods of direct sunlight.

CONDENSER AND INDUCED DRAFT MOTORS

Bearings on the condenser fan motors and the combustion fan motor are permanently lubricated. No additional oiling is required.

FLAME SENSOR (QUALIFIED SERVICER ONLY)

A drop in the flame current can be caused by a nearly invisible coating on the flame sensor. This coating, created by the fuel or combustion air supply, can be removed by carefully cleaning the flame sensor with steel wool.

NOTE: AFTER CLEANING, THE MICROAMP SIGNAL SHOULD BE STABLE AND IN THE RANGE OF 4 - 6 MICROAMPS DC.

FLUE PASSAGES (QUALIFIED SERVICER ONLY)

At the start of each heating season, inspect and, if necessary, clean the unit flue passage.

LUBRICATION

The fan shaft bearings, the supply fan motors, the condenser fan motors and compressors are permanently lubricated.

CLEAN OUTSIDE COIL (QUALIFIED SERVICER ONLY)

The coil with the outside air flowing over it should be inspected annually and cleaned as frequently as necessary to keep the finned areas free of lint, hair and debris.

CLEAN INDOOR COIL (QUALIFIED SERVICER ONLY)

Before cleaning the indoor coil, A2L sensor must be removed from the unit to avoid damage and contamination. Air filters should also be removed before performing maintenance. The coil with the filtered air flowing over it should be inspected and cleaned as frequently as necessary to keep the finned areas free of debris. Coil cleaning should be performed, utilizing an approved cleaning method and cleaning agent, from inside-out (opposite operating airflow direction) to prevent damage to the tube, fin coil, and any other components. Prior to resuming unit operation, ensure to reinstall the A2L sensor.

RECOVERY

When removing refrigerant from a system, either for servicing or decommissioning, it is recommended good practice that all refrigerants are removed safely.

When transferring refrigerant into cylinders, ensure that only appropriate refrigerant recovery cylinders are employed. Ensure that the correct number of cylinders for holding the total system charge is available. All cylinders to be used are designated for the recovered refrigerant and labelled for that refrigerant (i.e. special cylinders for the recovery of refrigerant). Cylinders shall be complete with pressure-relief valve and associated shut-off valves in good working order. Empty recovery cylinders are evacuated and, if possible, cooled before recovery occurs.

The recovery equipment shall be in good working order with a set of instructions concerning the equipment that is at hand and shall be suitable for the recovery of the flammable refrigerant. If in doubt, the manufacturer should be consulted. In addition, a set of calibrated weighing scales shall be available and in good working order. Hoses shall be complete with leak-free disconnect couplings and in good condition.

The recovered refrigerant shall be processed according to local legislation in the correct recovery cylinder, and the relevant waste transfer note arranged. Do not mix refrigerants in recovery units and especially not in cylinders.

If compressors or compressor oils are to be removed, ensure that they have been evacuated to an acceptable level to make certain that flammable refrigerant does not remain within the lubricant. The compressor body shall not be heated by an open flame or other ignition sources to accelerate this process. When oil is drained from a system, it shall be carried out safely.

CHARGING PROCEDURES

In addition to conventional charging procedures, the following requirements shall be followed.

- Ensure that contamination of different refrigerants does not occur when using charging equipment.
- Hoses or lines shall be as short as possible to minimize the amount of refrigerant contained in them.
- Cylinders shall be kept in an appropriate position according to the instructions.
- Ensure that the REFRIGERATING SYSTEM is earthed prior to charging the system with refrigerant.
- Extreme care shall be taken not to overfill the REFRIGERATING SYSTEM.

Prior to recharging the system, it shall be pressure-tested with the appropriate purging gas. The system shall be leak-tested on completion of charging but prior to commissioning. A follow up leak test shall be carried out prior to leaving the site.

IMPORTANT NOTE: REFER TO THE STANDING PRESSURE TEST/LEAK DETECTION METHOD REFERENCED LATER IN THIS MANUAL.

NOTE: "EARTHING" IS DEFINED AS ACHIEVING AN EARTH GROUND BY CONNECTING THE EQUIPMENT'S SUPPLIED GROUNDING LUG TO THE EARTH. THIS SHOULD BE VERIFIED BY A CERTIFIED TECHNICIAN.

MAINTENANCE OF MICROCHANNEL HEAT EXCHANGERS (MCHE)

Frequent servicing is essential to maintaining the required MCHE performance. For every installed Danfoss MCHE, service records must be documented.

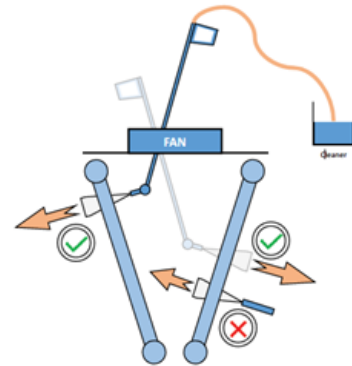


FIGURE 1

 CAUTION
<p>PRIOR TO SERVICING MCHE, BE SURE TO DISCONNECT THE POWER SUPPLY AND USE LOCK-OUT METHODS TO PREVENT THE POWER FROM ACCIDENTALLY BEING TURNED ON.</p>

SHUT DOWN PERIODS

During periods when the MCHE is not operated for longer than a week, the MCHE must be completely cleaned following the cleaning procedure. This practice must also be performed during short shut-down periods where corrosive deposits accumulate on the MCHE.

CLEANING PROCEDURE

Relative to tube & fin heat exchangers, MicroChannel heat exchanger coils tend to accumulate more dirt on the surface of the coil and less dirt inside the coil, making them easier to clean. Follow the steps below for proper cleaning:

STEP 1: Remove Surface Debris

Remove surface dirt, leaves, fibers, etc. with a vacuum cleaner (preferably with a brush or other soft attachment rather than a metal tube), compressed air blown from the inside out, and/or a soft bristle (not wire!) brush. Do not impact or scrape the coil with the vacuum tube, air nozzle, etc.

STEP 2: Rinse

Rinse the coil by following procedure:

1. Rinse the coil by approved MCHE cleaner first, or rinsing by water directly;
2. Waiting for 5 minutes;
3. Wash the coil by water;

Adjust the angle of gimbaled nozzle and insert it through fans. Using an extension rod if the nozzle cannot reach the bottom side. Preferably cleaning the coils from the inside-out and top to bottom (see figure 1), running the water through every fin passage until it comes out clean. The fins of MicroChannel coils are stronger than traditional tube & fin coil fins but still need to be handled with care. Do not hit the coil with the hose. We recommend placing your thumb over the end of the hose to obtain a gentler spray and reduce the possibility of impact damage. Please **PAY MORE ATTENTION** when using a pressure cleaning equipment to prevent damage.

Highest pressure of cleaning equipment shall not exceed 15 bar, and tentatively move the cleaning equipment from far to near to prevent damage.

- KEEP the outlet of washer away from coil for at least 4in (see figure 2);
- KEEP the water gun perpendicular to the coil surface and the angle error shall less than 20°, or ±40° if the distance from washer to coil is more than 12in (see figure 2);
- Water outlet angle for high pressure cleaning equipment shall over 15° (see figure 3).

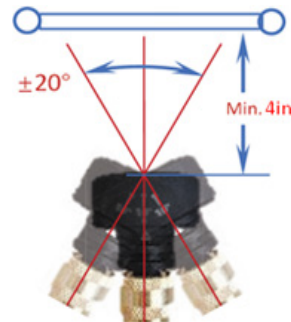


FIGURE 2



FIGURE 3

Warranty claims related to cleaning damage, especially for incorrect pressure washing operation, or corrosion resulting from applying non-recommended cleaners, will NOT be honored.

STEP 3: Remove Surface Debris

Depending on the installation and fin geometry, MicroChannel heat exchangers could possibly retain more water compared to traditional tube & fin coils. It is advised to blow off or vacuum out the residual water from the coil to speed up drying and prevent pooling. Daikin recommends a quarterly cleaning of the coils, as the minimum. The cleaning frequency should be increased depending on the level of dirt/dust accumulation and the environment (e.g., coastal areas with chlorides and salts) or industrial areas with aggressive substances.



WARNING

FIELD APPLIED COATINGS ARE NOT RECOMMENDED FOR BRAZED ALUMINUM MICROCHANNEL HEAT EXCHANGERS. MICROCHANNEL HEAT EXCHANGERS MUST NOT BE COATED USING ANY OTHER COATING, COATING OF A COIL USING A SUPPLIER OR COATING PROCESS IS NOT APPROVED AND VOIDS THE PRODUCT WARRANTY. IT MAY ALSO REDUCE THE LIFETIME AND/OR THE PERFORMANCE OF THE MICROCHANNEL HEAT EXCHANGER.

INSPECTION & CLEANING

All flue product carrying areas of the furnace, its vent system, and main burners should be examined by a qualified service agency, and cleaned if necessary, before the start of each heating season. This examination is necessary for continued safe operation. Particular attention should be given to deterioration from corrosion or other sources. This examination is accomplished in the following manner.

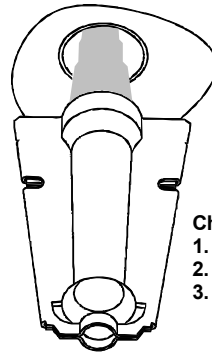
1. Disconnect power to the unit and remove furnace section access panel.
2. Remove burner assembly:
 - a. Disconnect the wires from the gas valve after noting which wires are connected to each terminal.
 - b. Disconnect wires from the flame rod and ignition electrode.
 - c. Disconnect the gas piping at the union.
 - d. The entire burner assembly can now be removed from the unit.

NOTE: USE ALL SCREWS THAT WERE REMOVED; THEY ARE NECESSARY FOR SAFE AND PROPER OPERATION OF THE UNIT.

3. Inspect and periodically clean the vent outlet (bird screen) on the access panel.

NOTE: PERIODIC OBSERVATION OF THE FLAME AND A LOG OF CO₂ MEASUREMENTS ARE RECOMMENDED. THIS WILL AID IN DETERMINING WHETHER THE FURNACE IS OPERATING EFFICIENTLY OR IF THE FURNACE REQUIRES CLEANING.

Flames should be stable, soft and blue (dust may cause orange tips but must not be yellow). The flames must extend directly outward from the burner without curling, floating or lifting off.



Check the burner flames for:

1. Good adjustment
2. Stable, soft and blue
3. Not curling, floating, or lifting off.

BURNER FLAME



WARNING

TO AVOID PERSONAL INJURY OR DEATH DUE TO ELECTRIC SHOCK, DO NOT REMOVE ANY INTERNAL COMPARTMENT COVERS OR ATTEMPT ANY ADJUSTMENT. CONTACT A QUALIFIED SERVICER AT ONCE IF AN ABNORMAL FLAME SHOULD DEVELOP.

At least once a year, prior to or during the heating season, make a visual check of the burner flames. Due to enclosed burner in ULN models, flames cannot be observed.

NOTE: THIS WILL INVOLVE REMOVING AND REINSTALLING THE HEAT EXCHANGER DOOR ON THE UNIT, WHICH IS HELD BY TWO SCREWS. IF YOU ARE UNCERTAIN ABOUT YOUR ABILITY TO DO THIS, CONTACT A QUALIFIED SERVICER.

If a strong wind is blowing, it may alter the airflow pattern within the unit enough that an inspection of the burner flames is not possible.

FUNCTIONAL PARTS

Refer to the unit Parts Catalog for a list of functional parts. Parts are available from your distributor.

TROUBLESHOOTING

IGNITION CONTROL ERROR CODES

The following presents probable causes of questionable unit operation. Refer to *Diagnostic Indicator Chart* for an interpretation of the signal and to this section for an explanation.

Remove the control box access panel and note the number of diagnostic LED flashes.

INTERNAL CONTROL FAILURE

If the integrated ignition control in this unit encounters an internal fault, it will go into a "hard" lockout and turn off the diagnostic LED. If diagnostic LED indicates an internal fault, check power supply to unit for proper voltage, check all fuses, circuit breakers and wiring. Disconnect electric power for five seconds. If LED remains off after restoring power, replace control.

ABNORMAL OPERATION - HEATING CODES

EXTERNAL LOCKOUT (1 FLASH CODE)

An external lockout occurs if the integrated ignition control determines that a measurable combustion cannot be established within three (3) consecutive ignition attempts. If flame is not established within the seven (7) second trial for ignition, the gas valve is deenergized, 15 second inter-purge cycle is completed, and ignition is reattempted. The control will repeat this routine three times if a measurable combustion is not established. The control will then shut off the induced draft blower and go into a lockout state.

If flame is established but lost, the control will energize the circulator blower at the heat speed and then begin a new ignition sequence. If flame is established then lost on subsequent attempts, the control will recycle for four (4) consecutive ignition attempts (five attempts total) before locking out.

The diagnostic fault code is 1 flash for a lockout due to failed ignition attempts or flame dropouts. The integrated control will automatically reset after one hour, or it can be reset by removing the thermostat signal or disconnecting the electrical power supply for over five seconds. If the diagnostic LED indicates an external lockout, perform the following checks:

- *Check the supply and manifold gas pressures*
- *Check the gas orifices for debris*
- *Check gas valve for proper operation*
- *Check secondary limit*

A dirty filter, excessive duct static, insufficient air flow, a faulty limit, or a failed circulator blower can cause this limit to open. Check filters, total external duct static, circulator blower motor, blower motor speed tap (see wiring diagram) and limit. An interruption in electrical power during a heating cycle may also cause the auxiliary limit to open. The automatic reset secondary limit is located on top of the circulator blower assembly.

- *Check rollout limit*

If the burner flames are not properly drawn into the heat exchanger, the flame rollout protection device will open. Possible causes are restricted or blocked flue passages, blocked or cracked heat exchanger, a failed induced draft blower, or insufficient combustion air. The rollout protection device is a manual reset limit located on the burner bracket. The cause of the flame rollout must be determined and corrected before resetting the limit.

- *Check flame sensor*

A drop in flame signal can be caused by nearly invisible coating on the sensor. Remove the sensor and carefully clean with steel wool.

- *Check wiring*

Check wiring for opens/shorts and miswiring.

IMPORTANT: IF YOU HAVE TO FREQUENTLY RESET YOUR GAS/ELECTRIC PACKAGE UNIT, IT MEANS THAT A PROBLEM EXISTS THAT SHOULD BE CORRECTED. CONTACT A QUALIFIED SERVICER FOR FURTHER INFORMATION.

PRESSURE SWITCH STUCK OPEN (2 FLASH CODE)

IA pressure switch stuck open can be caused by a faulty pressure switch, faulty wiring, a disconnected or damaged hose, a blocked or restricted flue, or a faulty induced draft blower. If the control senses an open pressure switch during the pre-purge cycle, the induced draft blower only will be energized.

If the pressure switch opens after ignition has begun the gas valve is deenergized, the circulator blower heat off cycle begins, and the induced draft blower remains on. The diagnostic fault code is two flashes.

PRESSURE SWITCH STUCK CLOSED (3 FLASH CODE)

A stuck closed pressure switch can be caused by a faulty pressure switch or faulty wiring. If the control encounters a pressure switch stuck closed, the induced draft blower remains off. The diagnostic LED code for this fault is three (3) flashes.

OPEN THERMAL PROTECTION DEVICE (4 FLASH CODE)

If the primary limit switch opens, the gas valve is immediately deenergized, the induced draft and air circulating blowers are energized. The induced draft and air circulator blowers remain energized until the limit switch recloses. The diagnostic fault code for an open limit is four (4) flashes.

A primary limit will open due to excessive supply air temperatures. This can be caused by a dirty filter, excessive duct static, insufficient air flow, or a faulty limit. Check filters, total external duct static, blower motor, blower motor speed tap (see wiring diagram), and limit. This limit will automatically reset once the temperature falls below a preset level.

FLAME DETECTED WITH GAS VALVE CLOSED (5 FLASH CODE)

If flame is detected with the gas valve deenergized, the combustion and air circulator blowers are energized. The diagnostic fault code is five (5) flashes for this condition. The control can be reset by removing the power supply to the unit or it will automatically reset after one hour. Miswiring is the probable cause for this fault.

ABNORMAL OPERATION - HEATING CODES

RESETTING FROM LOCKOUT (ULN ONLY)

An external lockout occurs if the integrated ignition control determines that a measurable combustion cannot be established within three (3) consecutive ignition attempts. If flame is not established within the four (4) second trial for ignition, the gas valve is de-energized, 30 second inter-purge cycle is completed, and ignition is re-attempted. The control will repeat this routine three times if a measurable combustion is not established. The control will then shut off the induced draft blower and go into a lockout state. If flame is established but lost, the control will energize the circulator blower at the heat speed and then begin a new ignition sequence. If flame is established then lost on subsequent attempts, the control will recycle the ignition sequence.

The diagnostic fault code is 1 flash for a lockout due to failed ignition attempts. The integrated control will automatically reset after one hour, or it can be reset by removing the thermostat signal or disconnecting the electrical power supply for over five seconds.

IMPORTANT NOTE: IF YOU HAVE TO FREQUENTLY RESET YOUR GAS/ELECTRIC PACKAGE UNIT, IT MEANS THAT A PROBLEM EXISTS THAT SHOULD BE CORRECTED. CONTACT A QUALIFIED SERVICER FOR FURTHER INFORMATION.

PRESSURE SENSOR

The pressure sensor is mounted in the control box and connected to the induced draft blower. Its function is to regulate the induced draft blower's speed in order to maintain proper air-fuel ratio for clean and reliable combustion. The electrical output signal from the sensor is expected to be proportional to the magnitude of the differential pressure between the inducer inlet negative pressure and the ambient air pressure. The pressure sensor also guards against insufficient airflow (combustion air and flue products) through the heat exchanger.

At the beginning of a call for heat, the control ensures the inducer is in an off state, then checks the pressure sensor output for the proper null offset value. If the pressure sensor output is outside the acceptable range for the null value, the control enters a five minute lockout. After the lockout timer has expired, the control resumes normal operation.

During inducer operation, including all operating modes except for the null test, the control monitors the pressure sensor output for expected values. The control limits during normal operation are expected to be within certain tolerances of the target pressures. In response to a pressure sensor span error, the control enters a five minute lockout. After the lockout timer has expired, the control resumes normal operation.

PRIMARY LIMIT

A primary limit will open due to excessive supply air temperatures. This can be caused by a dirty filter, excessive duct static, insufficient air flow, or a faulty limit. Check filters, total external duct static, blower motor, blower motor speed tap (see wiring diagram), and limit. This limit will automatically reset once the temperature falls below a preset level.

If a limit switch opens, the gas valve is immediately de-energized, the induced draft and air circulating blowers are energized. The induced draft and air circulator blowers remain energized for 5 minutes or until the limit switch re-closes, whichever happens first.

NOTE: IF THE PRIMARY LIMIT OPENS THREE (3) TIMES WITHIN THE SAME CALL FOR HEAT, THE IGNITION CONTROL WILL LOCK OUT FOR ONE (1) HOUR WITH THE AIR CIRCULATING BLOWER ENERGIZED AT HEATING SPEED.

FLAME DETECTED WITH GAS VALVE CLOSED

If flame is detected with the gas valve de-energized, the combustion and air circulator blowers are energized. The control can be reset by removing the power supply to the unit or it will automatically reset after one hour. Miswiring is the probable cause for this fault. The initial lockout period is 5 minutes. After that time, the control continues to monitor the flame sense input and resumes normal operation when flame is no longer sensed.

LOW FLAME SIGNAL

Under some conditions, the fuel or air supply can create a nearly invisible coating on the flame sensor. This coating acts as an insulator causing a drop in the flame signal. If the flame signal drops below a predetermined value, the ignition control will display an error code of (1) flash on the amber diagnostic LED. The unit will continue to operate until the control can no longer detect flame.

BURNER SWITCH

The burner temperature switch is mounted on the burner assembly to monitor the burner box temperature. It is normally closed (electrically), auto-reset sensor. This switch guards against the burner flames not being properly drawn into the heat exchanger.

The control senses an open blocked burner switch, indicating that the burner temperature/pressure has exceeded its set point. The control de-energizes the gas valve, energizes the inducer to the pre-purge setting and energizes the indoor blower. The initial lockout period is five minutes. After this time elapses, the control evaluates the state of the blocked burner switch. If the switch is closed, the control resumes normal operation. The control will enter a one hour lockout state if the blocked burner switch fails to reset before the recovery timer has expired.

ID PLUG

The control operational parameters are stored in ID Plug which connects on the circuit board. The control requires a valid ID plug present to operate in heating mode. If a valid ID plug is not present the control will not respond to a call for heat. However, the control will respond to thermostat inputs "Y" or "G", operating the appropriate fan output. The cooling delays are ignored in this operating mode. The control puts the burner into hard lockout and will not respond to heating requests until the power is cycled with a valid ID plug installed.

NOTE: SOME ELECTRONIC THERMOSTATS ALSO HAVE A BUILT-IN COMPRESSOR SHORT CYCLE TIMER THAT MAY BE LONGER THAN THE THREE MINUTE DELAY GIVEN ABOVE. IF YOU ARE USING AN ELECTRONIC THERMOSTAT AND THE COMPRESSOR HAS NOT STARTED AFTER THREE MINUTES, WAIT AN ADDITIONAL FIVE MINUTES TO ALLOW THE THERMOSTAT TO COMPLETE ITS SHORT CYCLE DELAY TIME.

The status light on the furnace control may be used as a guide to troubleshooting this appliance. Some more useful status light codes are below:

¹The fault condition must be cleared for 30 seconds before normal operation can resume. A power cycle will also reset any lockout.

ABNORMAL OPERATION - COOLING CODES

SHORT CYCLE COMPRESSOR DELAY (6 FLASH CODE)

The automatic ignition control has a built-in feature that prevents damage to the compressor in short cycling situations. In the event of intermittent power losses or intermittent thermostat operation, the ignition control will delay output to the compressor contactor for three minutes from the time power is restored. (Compressor is off a total of three minutes). The diagnostic LED will flash six (6) times to indicate the compressor contactor output is being delayed.

NOTE: SOME ELECTRONIC THERMOSTATS ALSO HAVE A BUILT-IN COMPRESSOR SHORT CYCLE TIMER THAT MAY BE LONGER THAN THE THREE MINUTE DELAY GIVEN ABOVE. IF YOU ARE USING AN ELECTRONIC THERMOSTAT AND THE COMPRESSOR HAS NOT STARTED AFTER THREE MINUTES, WAIT AN ADDITIONAL FIVE MINUTES TO ALLOW THE THERMOSTAT TO COMPLETE ITS SHORT CYCLE DELAY TIME.

PCBBL216 ULN CONTROL ERROR CODES

LED ACTIVITY	DESCRIPTION	COLOR	MINIMUM LOCKOUT PERIOD ¹	LED ACTIVITY	DESCRIPTION	COLOR	MINIMUM LOCKOUT PERIOD ¹	LED ACTIVITY	DESCRIPTION	COLOR	MINIMUM LOCKOUT PERIOD ¹
LED OFF	NO 24 VAC POWER TO CONTROL	-	N/A	6 FLASHES	NORMALLY CLOSED BLOCKED BURNER SWITCH/AUXLLARY SWITCH OPEN	RED	MAXIMUM RECOVERY PERIOD - 1 HOUR IF TIME EXCEEDED	2 FLASHES	ID PLUG FAILURE	AMBER	HARD LOCKOUT HEATING MODE
RED, AMBER, GREEN	POWER-UP VERIFICATION OF LED	-	N/A	7 FLASHES	GAS VALVE CIRCUIT SHORTED	RED	1 HOUR	3 FLASHES	CONTROL FUSE OPEN	AMBER	5 MINUTES
STEADY ON	CONTROL FAULT DETECTED	RED	1 HOUR OR HARD LOCKOUT	8 FLASHES	RESERVED	RED	-	STEADY ON	STANDBY NORMAL OPERATION NO THERMOSTAT REQUESTS	GREEN	N/A
1 FLASH	RETRIES EXCEEDED	RED	1 HOUR FIXED	10 FLASHES	HIGH LIMIT SWITCH RECOVERY TIMER EXPIRED	RED	1 HOUR OR HARD LOCKOUT	RAPID FLASH	CLEAR ERROR HISTORY	GREEN	N/A
2 FLASHES	PRESSURE SENSOR NULL ERROR	RED	5 MINUTES	STEADY ON	OEM FACTORY TEST MODE	AMBER	N/A	1 FLASH	CALL FOR HEATING	GREEN	N/A
3 FLASHES	PRESSURE SENSOR SPAN ERROR	RED	5 MINUTES	RAPID FLASH	FIELD TEST MODE	AMBER	N/A	2 FLASHES	CALL FOR COOLING	GREEN	N/A
4 FLASHES	HIGH LIMIT SWITCH OPEN	RED	MAXIMUM RECOVERY TIME - 1 HOUR AFTER MAX TRIPS EXCEEDED	1 FLASH	LOW FLAME SENSE	AMBER	N/A	3 FLASHES	CONTINUOUS FAN OPERATION	GREEN	N/A
5 FLASHES	FLAME PRESENT WITH GAS VALVE OFF	RED	5 MINUTES	-	-	-	-	-	-	-	-

SERVICING MEASURES FOR THE REFRIGERANT DETECTION SYSTEM:

Before servicing, identify the mode of operation of the system by reading the LED flashing pattern on the PCB within the control box and matching the LED flashing pattern with mode of operation in the REFRIGERANT DETECTION SYSTEM TROUBLESHOOTING GUIDE on the wiring diagram which is attached on the back side of the control box panel (RDS PCB Fault Code table). After identifying the mode of operation, take recommended actions as specified in the Recommended Actions for PCB LED Flashing Codes table.

REFRIGERANT SENSORS for REFRIGERANT DETECTION SYSTEMS shall only be replaced with sensors specified by the manufacturer. If REFRIGERANT SENSOR requires replacement, please replace with Sensata R32 Sensor PN#RGD-00ML12 (Daikin PN#SER2A08011).

LED STATUS	
MODE	LED FLASHING PATTERN
NORMAL OPERATION	SLOW LED FLASHING PATTERN (2 SECONDS ON 2 SECONDS OFF)
R-32 LEAK ALARM	FAST LED FLASHING PATTERN
DELAY MODE	LED WILL BE ON CONTINUOUSLY
SYSTEM VERIFICATION MODE	FAST LED FLASHING PATTERN
CONTROL BOARD INTERNAL FAULT	LED WILL FLASH 2 TIMES AND THEN BE OFF FOR 5 SECONDS
R32 SENSOR COMMUNICATION FAULT	LED WILL FLASH 3 TIMES AND THEN BE OFF FOR 5 SECONDS
R32 SENSOR FAULT	LED WILL FLASH 4 TIMES AND THEN BE OFF FOR 5 SECONDS

RDS PCB FAULT CODE TABLE

TROUBLESHOOTING CODE

LED TROUBLESHOOT STATUS					
	MODE	DEFINITION	LED FLASHING PATTERN	RECOMMENDED ACTIONS	NOTES
1	Normal Operation	No faults to report.	Slow LED flashing pattern (2 seconds on and 2 seconds off)	No actions needed.	
2	R32 Leak Alarm	R32 leak is currently being detected.	Fast LED Flashing Pattern	A technician will need to find where the refrigerant leak and address it. Unit shall be thawed before servicing.	In terms of the controls, no action is needed. The controls and sensor are working fine.
3	Delay Mode	After R32 leak or alarm has been cleared, the unit will remain in alarm mode for 5 minutes before returning to normal operation.	LED will be on continuously	No action needed - If the system was previously experiencing an actual R32 Leak, the refrigerant can no longer be detected by the sensor meaning it's either gone and the system won't work anymore or there was a false alarm. If the system was experiencing a Fault, the fault is gone and the system will return to normal operation in 5 min.	After any alarm or fault, it is required to remain in R32 mitigation mode for 5 minutes.
4	System Verification Mode	Manual test run by contractor to simulate R32 Leak Alarm (test will last for 5 minutes max).	Fast LED Flashing Pattern	No actions needed.	To enter system verification test mode, press the button on the control 2 times within 5 seconds. The control will enter a simulated R32 Leak Alarm state and remain in that mode for 5 minutes. After 5 minutes, the control will return to Normal Operation automatically. If the contractor wants to end the test early they need to press the button one time.
5	Control Board Internal Fault	Control board has detected an issue with the R32 detection system.	LED will flash 2 times and then be off for 5 seconds, before repeating pattern	<ol style="list-style-type: none"> 1) Unplug and plug the R32 sensor back in. Cycle power to the system. 2) If the control is in "Normal Operation" or "Delay Mode", there is no more issue. If not, continue with diagnostics 3) Unplug R32 sensor and leave unplugged. Cycle power to the system 4) If the control still displays "Control Board Internal Fault" (2 flash pattern), replace the control. If the control now displays "R32 Sensor Communication Fault" (3 flash pattern), replace the sensor. 	This error could indicate an on board relay failure or a short with the sensor communications. A sensor communication short could occur on the board itself or external to the board. These steps will determine if the error is on the board or external to the board.
6	R32 Sensor Communication Fault	Control board does not have communications with R32 sensor.	LED will flash 3 times and then be off for 5 seconds, before repeating pattern	<ol style="list-style-type: none"> 1) Unplug and plug the R32 sensor back in. Cycle power to the system. 2) If control is in "Normal Operation" or "Delay Mode", there is no more issue. If not, continue with diagnostics. 3) If the control still displays "R32 Sensor Communication Fault" (3 flash pattern), replace both the sensor and the PCB. 	If the control cannot talk to the sensor there could be a problem with the sensor, a problem with the sensor harness or a problem internal to the control. The field will not be able to measure anything to reliably fix this error assuming the connector is properly secured to the control. Replacing both is the only option.
7	R32 Sensor Fault	R32 Sensor has reported an internal issue.	LED will flash 4 times and then be off for 5 seconds, before repeating pattern	Replace R32 sensor.	Communications to the sensor are perfectly fine. The sensor itself is reporting an internal fault.

RECOMMENDED ACTIONS FOR PCB LED FLASHING CODES TABLE

	warning; flammable materials
	service indicator; read technical manual
	operator's manual; operating instructions
	warning; low burning velocity material
	UN GHS flame symbol

MARKING SYMBOL TABLE

THE FOLLOWING INSTRUCTIONS ARE MANDATORY FOR A2L SYSTEMS AND SUPERSEDE OTHER INSTRUCTIONS

WARNING

ONLY BRAZING TECHNIQUES AND APPROVED MECHANICAL JOINTS SHOULD BE USED TO CONNECT REFRIGERANT TUBING CONNECTIONS. NON-APPROVED MECHANICAL CONNECTORS AND OTHER METHODS ARE NOT PERMITTED IN THIS SYSTEM CONTAINING A2L REFRIGERANT. APPROVED MECHANICAL JOINTS WILL BE DETAILED IN THE PRODUCT'S SPECIFICATION SHEETS.

STANDING PRESSURE TEST/ LEAK DETECTION METHOD

Using dry nitrogen or dry helium, pressurize the system to 450 PSIG. Allow the pressure to stabilize and hold for 15 Minutes (minimum). The system is considered leak-free if the pressure does not drop below 450 PSIG. If, after 15 Minutes, the pressure drops below 450 PSIG, it implies a leak in the system. Proceed with identifying and sealing the leak and repeating the Standing Pressure Test. Leak test the system using dry nitrogen or dry helium and soapy water to identify leaks. **No refrigerant shall be used for pressure testing to detect leaks.** Proceed to system evacuation using the Deep Vacuum Method.

DEEP VACUUM METHOD

The Deep Vacuum Method requires a vacuum pump rated for 500 microns or less. This method effectively and efficiently ensures the system is free of non-condensable air and moisture. The Triple Evacuation Method is detailed in the Service Manual for this product model as an alternative. To expedite the evacuation procedure, it is recommended that the Schrader Cores be removed from the service valves using a core-removal tool.

1. Connect the vacuum pump, micron gauge, and vacuum-rated hoses to both service valves. Evacuation must use both service valves to eliminate system mechanical seals.
2. Evacuate the system to less than 500 microns.
3. Isolate the pump from the system and hold the vacuum for 10 minutes (minimum). Typically, pressure will rise slowly during this period. If the pressure rises to less than 1000 microns and remains steady, the system is considered leak-free; proceed to system charging and startup.
4. If pressure rises above 1000 microns but holds steady below 2000 microns, non-condensable air or moisture may remain, or a small leak may be present. Return to step 2: If the same result is achieved, check for leaks and repair. Repeat the evacuation procedure.
5. If pressure rises above 2000 microns, a leak is present. Check for leaks and repair them. Then, repeat the evacuation procedure.

ACCESSORY INSTALLATION

WARNING

ALL ACCESSORIES THAT MAY BECOME A POTENTIAL IGNITION SOURCE IF INSTALLED, SUCH AS ELECTRONIC AIR CLEANERS, MUST ONLY BE POWERED THROUGH OUR ACCESSORY CONTROL BOARD KIT. IF AN ELECTRONIC AIR CLEANER IS ALREADY INSTALLED IN THE DUCT WORK AND NOT CONNECTED TO THE ACCESSORY CONTROL BOARD, IT WILL HAVE TO BE DISABLED OR REMOVED. ENSURE THAT ANY ADDITIONAL WIRING FROM THE INDOOR UNIT TO THE ACCESSORY CONTROL BOARD IS ROUTED AND PROTECTED FROM DAMAGE AND WEAR, AVOIDING THE FLUE PIPE AND ANY JOINTS THAT MAY NEED BRAZED OR DISCONNECTED FOR SERVICE. REFER TO THE PRODUCT SPECIFICATION SHEET FOR THE ACCESSORY CONTROL BOARD KIT PART NUMBER

ALTITUDE ADJUSTMENT FACTOR TO CALCULATE MINIMUM ROOM AREA

The Indoor equipment mitigation requirements are calculated at sea level. For higher altitudes adjust the minimum room area specified on or near the Serial Plate by the corresponding altitude adjustment factor shown below. This table is provided as a reference.

Adjusted room area ($A_{\min \text{ adj}}$) is the product of the minimum room area specified in the serial plate and the adjustment factor AF, as shown in below formula

$$A_{\min \text{ adj}} = A_{\min} (\text{serial plate}) * AF$$

Height in meters	Height in feet	Altitude Adjustment Factor (AF)
At sea level	At sea level	1.00
1~200	1~660	1.02
200~400	660~1320	1.03
400~600	1320~1970	1.05
600~800	1970~2630	1.07
800~1000	2630~3290	1.09
1000~1200	3290~3940	1.11
1200~1400	3940~4600	1.13
1400~1600	4600~5250	1.15
1600~1800	5250~5910	1.17
1800~2000	5910~6570	1.19
2000~2200	6570~7220	1.21
2200~2400	7220~7880	1.24
2400~2600	7880~8540	1.26
2600~2800	8540~9190	1.29
2800~3000	9190~9850	1.31
3000~3200	9850~10500	1.34

APPENDIX A BLOWER PERFORMANCE TABLES

DSG0361D 45K DOWNSHOT					
STANDARD STATIC DRIVE					
TAP	EXTERNAL STATIC PRESSURE (ESP) in w.c	AIRFLOW (CFM)	RPM	WATTS	BHP
T1 *	0.1	1060	535	115	0.11
	0.2	945	570	117	0.11
	0.3	875	615	125	0.12
	0.4	795	665	134	0.13
	0.5	735	710	142	0.14
	0.6	640	760	155	0.15
	0.7	-	-	-	-
	0.8	-	-	-	-
T2	0.1	1405	650	224	0.23
	0.2	1340	685	231	0.24
	0.3	1290	715	241	0.26
	0.4	1235	750	251	0.27
	0.5	1180	790	264	0.28
	0.6	1120	830	273	0.30
	0.7	1055	865	284	0.31
	0.8	1000	895	294	0.32
T3 **	0.1	1280	605	180	0.18
	0.2	1205	640	187	0.19
	0.3	1145	680	196	0.20
	0.4	1080	725	206	0.22
	0.5	1025	765	217	0.23
	0.6	955	805	226	0.24
	0.7	885	845	237	0.25
	0.8	820	875	247	0.26
T4	0.1	1470	670	251	0.26
	0.2	1420	705	261	0.28
	0.3	1365	740	272	0.29
	0.4	1315	775	283	0.30
	0.5	1265	810	296	0.32
	0.6	1205	845	304	0.33
	0.7	1145	880	316	0.35
	0.8	1090	905	327	0.36
T5	0.1	-	-	-	-
	0.2	1500	730	299	0.32
	0.3	1460	765	310	0.33
	0.4	1410	795	322	0.35
	0.5	1365	830	336	0.36
	0.6	1310	865	344	0.38
	0.7	1255	900	357	0.39
	0.8	1205	920	368	0.40

DSG0361D 45K HORIZONTAL					
STANDARD STATIC DRIVE					
TAP	EXTERNAL STATIC PRESSURE (ESP) in w.c	AIRFLOW (CFM)	RPM	WATTS	BHP
T1 *	0.1	1090	515	112	0.10
	0.2	975	550	114	0.11
	0.3	900	595	122	0.12
	0.4	820	640	131	0.13
	0.5	755	685	138	0.14
	0.6	660	735	151	0.15
	0.7	-	-	-	-
	0.8	-	-	-	-
T2	0.1	1445	630	218	0.22
	0.2	1385	655	226	0.23
	0.3	1325	690	235	0.25
	0.4	1275	725	245	0.26
	0.5	1220	765	257	0.27
	0.6	1150	800	267	0.29
	0.7	1090	835	276	0.30
	0.8	1035	865	286	0.31
T3 **	0.1	1320	585	176	0.18
	0.2	1240	620	182	0.19
	0.3	1180	655	191	0.20
	0.4	1110	700	201	0.21
	0.5	1055	740	212	0.22
	0.6	985	775	220	0.23
	0.7	910	815	231	0.24
	0.8	845	845	241	0.25
T4	0.1	1500	645	245	0.25
	0.2	1465	680	254	0.27
	0.3	1405	715	265	0.28
	0.4	1355	750	276	0.29
	0.5	1305	780	289	0.31
	0.6	1240	815	296	0.32
	0.7	1180	850	308	0.33
	0.8	1125	875	319	0.34
T5	0.1	-	-	-	-
	0.2	-	-	-	-
	0.3	1500	740	302	0.32
	0.4	1450	765	314	0.33
	0.5	1405	800	328	0.35
	0.6	1350	835	335	0.36
	0.7	1295	870	348	0.38
	0.8	1240	890	359	0.39

*VALUES ARE FOR FAN MODE ONLY
 **VALUES ARE FOR HEAT MODE ONLY

APPENDIX A BLOWER PERFORMANCE TABLES

DSG0361D 90K DOWNSHOT					
STANDARD STATIC DRIVE					
TAP	EXTERNAL STATIC PRESSURE (ESP) in w.c	AIRFLOW (CFM)	RPM	WATTS	BHP
T1 *	0.1	1015	520	103	0.09
	0.2	885	550	103	0.10
	0.3	815	600	111	0.11
	0.4	730	655	119	0.12
	0.5	665	700	127	0.12
	0.6	-	-	-	-
	0.7	-	-	-	-
	0.8	-	-	-	-
T2	0.1	1405	650	223	0.23
	0.2	1345	685	230	0.24
	0.3	1290	715	241	0.25
	0.4	1235	755	251	0.27
	0.5	1180	795	264	0.28
	0.6	1120	835	273	0.30
	0.7	1060	865	284	0.31
	0.8	1000	895	294	0.32
T3 **	0.1	1220	585	161	0.16
	0.2	1130	620	166	0.17
	0.3	1070	665	175	0.18
	0.4	1005	705	184	0.19
	0.5	945	750	194	0.20
	0.6	870	790	204	0.21
	0.7	800	830	214	0.23
	0.8	730	865	224	0.23
T4	0.1	1470	670	251	0.26
	0.2	1420	705	261	0.28
	0.3	1365	740	272	0.29
	0.4	1315	775	283	0.30
	0.5	1265	810	296	0.32
	0.6	1205	845	304	0.33
	0.7	1145	880	316	0.35
	0.8	1090	905	327	0.36
T5	0.1	-	-	-	-
	0.2	1500	730	299	0.32
	0.3	1460	765	310	0.33
	0.4	1410	795	322	0.35
	0.5	1365	830	336	0.36
	0.6	1310	865	344	0.38
	0.7	1255	900	357	0.39
	0.8	1205	920	368	0.40

DSG0361D 90K HORIZONTAL					
STANDARD STATIC DRIVE					
TAP	EXTERNAL STATIC PRESSURE (ESP) in w.c	AIRFLOW (CFM)	RPM	WATTS	BHP
T1 *	0.1	1045	500	100	0.09
	0.2	910	530	100	0.09
	0.3	840	580	108	0.10
	0.4	750	630	116	0.11
	0.5	685	675	124	0.12
	0.6	-	-	-	-
	0.7	-	-	-	-
	0.8	-	-	-	-
T2	0.1	1450	630	217	0.22
	0.2	1385	655	225	0.23
	0.3	1330	690	234	0.25
	0.4	1270	730	245	0.26
	0.5	1220	770	258	0.27
	0.6	1155	805	266	0.29
	0.7	1090	835	276	0.3
	0.8	1035	865	287	0.31
T3 **	0.1	1255	565	157	0.15
	0.2	1165	600	162	0.16
	0.3	1100	640	171	0.17
	0.4	1035	680	179	0.18
	0.5	975	725	189	0.20
	0.6	895	760	199	0.21
	0.7	825	800	209	0.22
	0.8	750	835	218	0.23
T4	0.1	1500	645	245	0.25
	0.2	1465	680	254	0.27
	0.3	1405	715	265	0.28
	0.4	1355	750	276	0.29
	0.5	1305	780	289	0.31
	0.6	1240	815	296	0.32
	0.7	1180	850	308	0.33
	0.8	1125	875	319	0.34
T5	0.1	-	-	-	-
	0.2	-	-	-	-
	0.3	1500	740	302	0.32
	0.4	1450	765	314	0.33
	0.5	1405	800	328	0.35
	0.6	1350	835	335	0.36
	0.7	1295	870	348	0.38
	0.8	1240	890	359	0.39

*VALUES ARE FOR FAN MODE ONLY
 **VALUES ARE FOR HEAT MODE ONLY

APPENDIX A BLOWER PERFORMANCE TABLES

DSG0363D 45K DOWNSHOT					
STANDARD STATIC DRIVE					
TAP	EXTERNAL STATIC PRESSURE (ESP) in w.c	AIRFLOW (CFM)	RPM	WATTS	BHP
T1 *	0.1	1060	535	115	0.11
	0.2	945	570	117	0.11
	0.3	875	615	125	0.12
	0.4	795	665	134	0.13
	0.5	735	710	142	0.14
	0.6	640	760	155	0.15
	0.7	-	-	-	-
	0.8	-	-	-	-
T2	0.1	1405	650	224	0.23
	0.2	1340	685	231	0.24
	0.3	1290	715	241	0.26
	0.4	1235	750	251	0.27
	0.5	1180	790	264	0.28
	0.6	1120	830	273	0.3
	0.7	1055	865	284	0.31
	0.8	1000	895	294	0.32
T3 **	0.1	1280	605	180	0.18
	0.2	1205	640	187	0.19
	0.3	1145	680	196	0.20
	0.4	1080	725	206	0.22
	0.5	1025	765	217	0.23
	0.6	955	805	226	0.24
	0.7	885	845	237	0.25
	0.8	820	875	247	0.26
T4	0.1	1470	670	251	0.26
	0.2	1420	705	261	0.28
	0.3	1365	740	272	0.29
	0.4	1315	775	283	0.30
	0.5	1265	810	296	0.32
	0.6	1205	845	304	0.33
	0.7	1145	880	316	0.35
	0.8	1090	905	327	0.36
T5	0.1	-	-	-	-
	0.2	1500	730	299	0.32
	0.3	1460	765	310	0.33
	0.4	1410	795	322	0.35
	0.5	1365	830	336	0.36
	0.6	1310	865	344	0.38
	0.7	1255	900	357	0.39
	0.8	1205	920	368	0.40

DSG0363D 45K HORIZONTAL					
STANDARD STATIC DRIVE					
TAP	EXTERNAL STATIC PRESSURE (ESP) in w.c	AIRFLOW (CFM)	RPM	WATTS	BHP
T1 *	0.1	1090	515	112	0.10
	0.2	975	550	114	0.11
	0.3	900	595	122	0.12
	0.4	820	640	131	0.13
	0.5	755	685	138	0.14
	0.6	660	735	151	0.15
	0.7	-	-	-	-
	0.8	-	-	-	-
T2	0.1	1445	630	218	0.22
	0.2	1385	655	226	0.23
	0.3	1325	690	235	0.25
	0.4	1275	725	245	0.26
	0.5	1220	765	257	0.27
	0.6	1150	800	267	0.29
	0.7	1090	835	276	0.3
	0.8	1035	865	286	0.31
T3 **	0.1	1320	585	176	0.18
	0.2	1240	620	182	0.19
	0.3	1180	655	191	0.20
	0.4	1110	700	201	0.21
	0.5	1055	740	212	0.22
	0.6	985	775	220	0.23
	0.7	910	815	231	0.24
	0.8	845	845	241	0.25
T4	0.1	1500	645	245	0.25
	0.2	1465	680	254	0.27
	0.3	1405	715	265	0.28
	0.4	1355	750	276	0.29
	0.5	1305	780	289	0.31
	0.6	1240	815	296	0.32
	0.7	1180	850	308	0.33
	0.8	1125	875	319	0.34
T5	0.1	-	-	-	-
	0.2	-	-	-	-
	0.3	1500	740	302	0.32
	0.4	1450	765	314	0.33
	0.5	1405	800	328	0.35
	0.6	1350	835	335	0.36
	0.7	1295	870	348	0.38
	0.8	1240	890	359	0.39

*VALUES ARE FOR FAN MODE ONLY
 **VALUES ARE FOR HEAT MODE ONLY

APPENDIX A BLOWER PERFORMANCE TABLES

DSG0363D 70K DOWNSHOT					
STANDARD STATIC DRIVE					
TAP	EXTERNAL STATIC PRESSURE (ESP) in w.c	AIRFLOW (CFM)	RPM	WATTS	BHP
T1 *	0.1	1175	570	146	0.14
	0.2	1075	605	150	0.15
	0.3	1015	650	159	0.16
	0.4	945	695	168	0.17
	0.5	885	735	178	0.18
	0.6	800	780	189	0.19
	0.7	730	820	198	0.20
	0.8	660	860	208	0.21
T2	0.1	1410	655	224	0.23
	0.2	1340	690	231	0.25
	0.3	1300	710	241	0.25
	0.4	1240	750	251	0.27
	0.5	1170	790	265	0.28
	0.6	1120	830	274	0.3
	0.7	1055	865	285	0.31
	0.8	995	885	295	0.32
T3 **	0.1	1325	620	196	0.20
	0.2	1255	655	203	0.21
	0.3	1195	695	213	0.22
	0.4	1135	735	223	0.24
	0.5	1085	775	234	0.25
	0.6	1015	815	243	0.26
	0.7	950	850	254	0.27
	0.8	900	885	264	0.28
T4	0.1	1470	670	251	0.26
	0.2	1420	705	261	0.28
	0.3	1365	740	272	0.29
	0.4	1315	775	283	0.30
	0.5	1265	810	296	0.32
	0.6	1205	845	304	0.33
	0.7	1145	880	316	0.35
	0.8	1090	905	327	0.36
T5	0.1	-	-	-	-
	0.2	1500	730	299	0.32
	0.3	1460	765	310	0.33
	0.4	1410	795	322	0.35
	0.5	1365	830	336	0.36
	0.6	1310	865	344	0.38
	0.7	1255	900	357	0.39
	0.8	1205	920	368	0.40

DSG0363D 70K HORIZONTAL					
STANDARD STATIC DRIVE					
TAP	EXTERNAL STATIC PRESSURE (ESP) in w.c	AIRFLOW (CFM)	RPM	WATTS	BHP
T1 *	0.1	1210	550	142	0.14
	0.2	1105	585	146	0.15
	0.3	1045	625	155	0.16
	0.4	975	670	164	0.17
	0.5	910	710	174	0.18
	0.6	825	755	184	0.19
	0.7	750	790	193	0.20
	0.8	680	830	203	0.21
T2	0.1	1450	635	219	0.23
	0.2	1380	665	226	0.24
	0.3	1335	685	232	0.25
	0.4	1275	725	245	0.26
	0.5	1205	765	259	0.27
	0.6	1150	800	268	0.29
	0.7	1085	835	276	0.30
	0.8	1035	855	288	0.31
T3 **	0.1	1365	600	191	0.19
	0.2	1295	630	198	0.20
	0.3	1230	670	208	0.22
	0.4	1170	710	217	0.23
	0.5	1120	750	228	0.24
	0.6	1045	785	237	0.25
	0.7	980	820	248	0.26
	0.8	915	855	257	0.27
T4	0.1	1500	645	245	0.25
	0.2	1465	680	254	0.27
	0.3	1405	715	265	0.28
	0.4	1355	750	276	0.29
	0.5	1305	780	289	0.31
	0.6	1240	815	296	0.32
	0.7	1180	850	308	0.33
	0.8	1125	875	319	0.34
T5	0.1	-	-	-	-
	0.2	-	-	-	-
	0.3	1500	740	302	0.32
	0.4	1450	765	314	0.33
	0.5	1405	800	328	0.35
	0.6	1350	835	335	0.36
	0.7	1295	870	348	0.38
	0.8	1240	890	359	0.39

*VALUES ARE FOR FAN MODE ONLY
 **VALUES ARE FOR HEAT MODE ONLY

APPENDIX A BLOWER PERFORMANCE TABLES

DSG0363D 90K DOWNSHOT					
STANDARD STATIC DRIVE					
TAP	EXTERNAL STATIC PRESSURE (ESP) in w.c	AIRFLOW (CFM)	RPM	WATTS	BHP
T1 *	0.1	1015	520	103	0.09
	0.2	885	550	103	0.10
	0.3	815	600	111	0.11
	0.4	730	655	119	0.12
	0.5	665	700	127	0.12
	0.6	-	-	-	-
	0.7	-	-	-	-
	0.8	-	-	-	-
T2	0.1	1405	650	223	0.23
	0.2	1345	685	230	0.24
	0.3	1290	715	241	0.25
	0.4	1235	755	251	0.27
	0.5	1180	795	264	0.28
	0.6	1120	835	273	0.3
	0.7	1060	865	284	0.31
	0.8	1000	895	294	0.32
T3 **	0.1	1220	585	161	0.16
	0.2	1130	620	166	0.17
	0.3	1070	665	175	0.18
	0.4	1005	705	184	0.19
	0.5	945	750	194	0.20
	0.6	870	790	204	0.21
	0.7	800	830	214	0.23
	0.8	730	865	224	0.23
T4	0.1	1470	670	251	0.26
	0.2	1420	705	261	0.28
	0.3	1365	740	272	0.29
	0.4	1315	775	283	0.30
	0.5	1265	810	296	0.32
	0.6	1205	845	304	0.33
	0.7	1145	880	316	0.35
	0.8	1090	905	327	0.36
T5	0.1	-	-	-	-
	0.2	1500	730	299	0.32
	0.3	1460	765	310	0.33
	0.4	1410	795	322	0.35
	0.5	1365	830	336	0.36
	0.6	1310	865	344	0.38
	0.7	1255	900	357	0.39
	0.8	1205	920	368	0.40

DSG0363D 90K HORIZONTAL					
STANDARD STATIC DRIVE					
TAP	EXTERNAL STATIC PRESSURE (ESP) in w.c	AIRFLOW (CFM)	RPM	WATTS	BHP
T1 *	0.1	1045	500	100	0.09
	0.2	910	530	100	0.09
	0.3	840	580	108	0.10
	0.4	750	630	116	0.11
	0.5	685	675	124	0.12
	0.6	-	-	-	-
	0.7	-	-	-	-
	0.8	-	-	-	-
T2	0.1	1450	630	217	0.22
	0.2	1385	655	225	0.23
	0.3	1330	690	234	0.25
	0.4	1270	730	245	0.26
	0.5	1220	770	258	0.27
	0.6	1155	805	266	0.29
	0.7	1090	835	276	0.3
	0.8	1035	865	287	0.31
T3 **	0.1	1255	565	157	0.15
	0.2	1165	600	162	0.16
	0.3	1100	640	171	0.17
	0.4	1035	680	179	0.18
	0.5	975	725	189	0.20
	0.6	895	760	199	0.21
	0.7	825	800	209	0.22
	0.8	750	835	218	0.23
T4	0.1	1500	645	245	0.25
	0.2	1465	680	254	0.27
	0.3	1405	715	265	0.28
	0.4	1355	750	276	0.29
	0.5	1305	780	289	0.31
	0.6	1240	815	296	0.32
	0.7	1180	850	308	0.33
	0.8	1125	875	319	0.34
T5	0.1	-	-	-	-
	0.2	-	-	-	-
	0.3	1500	740	302	0.32
	0.4	1450	765	314	0.33
	0.5	1405	800	328	0.35
	0.6	1350	835	335	0.36
	0.7	1295	870	348	0.38
	0.8	1240	890	359	0.39

*VALUES ARE FOR FAN MODE ONLY

**VALUES ARE FOR HEAT MODE ONLY

APPENDIX A BLOWER PERFORMANCE TABLES

DSG0364D 45K DOWNSHOT					
STANDARD STATIC DRIVE					
TAP	EXTERNAL STATIC PRESSURE (ESP) in w.c	AIRFLOW (CFM)	RPM	WATTS	BHP
T1 *	0.1	1090	535	112	0.12
	0.2	1010	580	122	0.13
	0.3	945	620	130	0.14
	0.4	875	660	139	0.14
	0.5	795	705	147	0.15
	0.6	725	745	157	0.16
	0.7	650	790	166	0.17
	0.8	555	845	179	0.19
T2	0.1	1405	640	217	0.23
	0.2	1340	675	229	0.24
	0.3	1285	710	240	0.25
	0.4	1225	750	250	0.27
	0.5	1170	785	261	0.28
	0.6	1110	820	272	0.29
	0.7	1050	860	283	0.31
	0.8	975	895	294	0.32
T3 **	0.1	1390	635	211	0.22
	0.2	1325	670	223	0.24
	0.3	1270	705	234	0.25
	0.4	1210	745	244	0.26
	0.5	1150	780	255	0.27
	0.6	1090	815	266	0.29
	0.7	1030	855	277	0.30
	0.8	955	895	288	0.32
T4	0.1	1490	665	250	0.27
	0.2	1430	700	263	0.28
	0.3	1375	735	274	0.29
	0.4	1320	770	285	0.31
	0.5	1265	805	297	0.32
	0.6	1210	840	308	0.34
	0.7	1155	875	320	0.35
	0.8	1090	915	331	0.37
T5	0.1	-	-	-	-
	0.2	-	-	-	-
	0.3	1480	765	317	0.34
	0.4	1430	800	328	0.36
	0.5	1375	835	341	0.37
	0.6	1325	865	352	0.39
	0.7	1270	895	365	0.40
	0.8	1215	930	376	0.42

DSG0364D 45K HORIZONTAL					
STANDARD STATIC DRIVE					
TAP	EXTERNAL STATIC PRESSURE (ESP) in w.c	AIRFLOW (CFM)	RPM	WATTS	BHP
T1 *	0.1	1115	515	109	0.11
	0.2	1035	560	118	0.12
	0.3	970	600	126	0.13
	0.4	895	635	135	0.14
	0.5	815	680	143	0.15
	0.6	745	720	152	0.16
	0.7	665	760	161	0.17
	0.8	570	815	174	0.18
T2	0.1	1440	620	211	0.22
	0.2	1380	650	221	0.23
	0.3	1315	685	233	0.25
	0.4	1255	725	243	0.26
	0.5	1200	760	253	0.27
	0.6	1135	790	264	0.28
	0.7	1075	830	275	0.30
	0.8	1000	865	285	0.31
T3 **	0.1	1425	615	205	0.22
	0.2	1360	645	216	0.23
	0.3	1300	680	227	0.24
	0.4	1240	720	237	0.25
	0.5	1180	755	247	0.27
	0.6	1115	785	258	0.28
	0.7	1055	825	269	0.29
	0.8	980	865	279	0.30
T4	0.1	-	-	-	-
	0.2	1465	675	255	0.27
	0.3	1410	710	266	0.28
	0.4	1355	745	276	0.30
	0.5	1295	775	288	0.31
	0.6	1240	810	299	0.32
	0.7	1185	845	310	0.34
	0.8	1115	885	321	0.35
T5	0.1	-	-	-	-
	0.2	-	-	-	-
	0.3	1500	740	307	0.33
	0.4	1465	770	318	0.34
	0.5	1410	805	331	0.36
	0.6	1360	835	341	0.37
	0.7	1300	865	354	0.39
	0.8	1245	895	365	0.40

*VALUES ARE FOR FAN MODE ONLY
 **VALUES ARE FOR HEAT MODE ONLY

APPENDIX A BLOWER PERFORMANCE TABLES

DSG0364D 70K DOWNSHOT					
STANDARD STATIC DRIVE					
TAP	EXTERNAL STATIC PRESSURE (ESP) in w.c	AIRFLOW (CFM)	RPM	WATTS	BHP
T1 *	0.1	1090	535	112	0.12
	0.2	1010	580	122	0.13
	0.3	945	620	130	0.14
	0.4	875	660	139	0.14
	0.5	795	705	147	0.15
	0.6	725	745	157	0.16
	0.7	650	790	166	0.17
	0.8	555	845	179	0.19
T2	0.1	1410	640	216	0.23
	0.2	1340	680	229	0.24
	0.3	1290	715	239	0.26
	0.4	1230	745	249	0.27
	0.5	1165	785	261	0.28
	0.6	1110	815	271	0.29
	0.7	1055	860	283	0.31
	0.8	975	900	294	0.32
T3 **	0.1	1285	600	174	0.18
	0.2	1215	640	185	0.19
	0.3	1155	675	195	0.21
	0.4	1095	715	205	0.22
	0.5	1030	755	215	0.23
	0.6	965	795	225	0.24
	0.7	900	830	235	0.25
	0.8	820	880	248	0.27
T4	0.1	1490	665	250	0.27
	0.2	1430	700	263	0.28
	0.3	1375	735	274	0.29
	0.4	1320	770	285	0.31
	0.5	1265	805	297	0.32
	0.6	1210	840	308	0.34
	0.7	1155	875	320	0.35
	0.8	1090	915	331	0.37
T5	0.1	-	-	-	-
	0.2	-	-	-	-
	0.3	1480	765	317	0.34
	0.4	1430	800	328	0.36
	0.5	1375	835	341	0.37
	0.6	1325	865	352	0.39
	0.7	1270	895	365	0.40
	0.8	1215	930	376	0.42

DSG0364D 70K HORIZONTAL					
STANDARD STATIC DRIVE					
TAP	EXTERNAL STATIC PRESSURE (ESP) in w.c	AIRFLOW (CFM)	RPM	WATTS	BHP
T1 *	0.1	1115	515	109	0.11
	0.2	1035	560	118	0.12
	0.3	970	600	126	0.13
	0.4	895	635	135	0.14
	0.5	815	680	143	0.15
	0.6	745	720	152	0.16
	0.7	665	760	161	0.17
	0.8	570	815	174	0.18
T2	0.1	1450	620	209	0.22
	0.2	1370	650	223	0.23
	0.3	1320	690	231	0.25
	0.4	1265	720	241	0.26
	0.5	1200	760	253	0.27
	0.6	1135	785	264	0.28
	0.7	1085	830	274	0.3
	0.8	995	870	285	0.31
T3 **	0.1	1315	580	169	0.18
	0.2	1245	620	179	0.19
	0.3	1185	650	189	0.20
	0.4	1120	690	199	0.21
	0.5	1055	730	209	0.22
	0.6	990	765	218	0.23
	0.7	920	800	228	0.24
	0.8	840	850	241	0.26
T4	0.1	-	-	-	-
	0.2	1465	675	255	0.27
	0.3	1410	710	266	0.28
	0.4	1355	745	276	0.30
	0.5	1295	775	288	0.31
	0.6	1240	810	299	0.32
	0.7	1185	845	310	0.34
	0.8	1115	885	321	0.35
T5	0.1	-	-	-	-
	0.2	-	-	-	-
	0.3	1500	740	307	0.33
	0.4	1465	770	318	0.34
	0.5	1410	805	331	0.36
	0.6	1360	835	341	0.37
	0.7	1300	865	354	0.39
	0.8	1245	895	365	0.40

*VALUES ARE FOR FAN MODE ONLY
 **VALUES ARE FOR HEAT MODE ONLY

APPENDIX A BLOWER PERFORMANCE TABLES

DSG0364D / DSG0367D 90K DOWNSHOT					
STANDARD STATIC DRIVE					
TAP	EXTERNAL STATIC PRESSURE (ESP) in w.c	AIRFLOW (CFM)	RPM	WATTS	BHP
T1 *	0.1	1305	605	182	0.19
	0.2	1240	645	193	0.20
	0.3	1180	685	202	0.22
	0.4	1120	720	213	0.23
	0.5	1050	760	223	0.24
	0.6	990	795	233	0.25
	0.7	925	835	244	0.26
	0.8	845	880	256	0.28
T2	0.1	1405	635	218	0.00
	0.2	1335	675	230	0.00
	0.3	1285	710	241	0.00
	0.4	1225	745	251	0.00
	0.5	1165	785	263	0.00
	0.6	1105	820	273	0.00
	0.7	1045	855	284	0.00
	0.8	970	900	296	0.00
T3 **	0.1	1615	705	304	0.33
	0.2	1560	740	317	0.34
	0.3	1510	775	330	0.36
	0.4	1460	805	342	0.37
	0.5	1410	840	355	0.39
	0.6	1360	870	366	0.40
	0.7	1305	905	378	0.42
	0.8	1250	935	389	0.43
T4	0.1	1490	665	250	0.27
	0.2	1430	700	263	0.28
	0.3	1375	735	274	0.29
	0.4	1320	770	285	0.31
	0.5	1265	805	297	0.32
	0.6	1210	840	308	0.34
	0.7	1155	875	320	0.35
	0.8	1090	915	331	0.37
T5	0.1	-	-	-	-
	0.2	-	-	-	-
	0.3	1480	765	317	0.34
	0.4	1430	800	328	0.36
	0.5	1375	835	341	0.37
	0.6	1325	865	352	0.39
	0.7	1270	895	365	0.40
	0.8	1215	930	376	0.42

DSG0364D / DSG0367D 90K HORIZONTAL					
STANDARD STATIC DRIVE					
TAP	EXTERNAL STATIC PRESSURE (ESP) in w.c	AIRFLOW (CFM)	RPM	WATTS	BHP
T1 *	0.1	1340	585	177	0.18
	0.2	1270	620	187	0.19
	0.3	1210	660	196	0.21
	0.4	1150	695	207	0.22
	0.5	1075	735	216	0.23
	0.6	1015	765	226	0.24
	0.7	950	805	237	0.25
	0.8	865	850	248	0.27
T2	0.1	1440	615	211	0.22
	0.2	1370	650	223	0.24
	0.3	1315	685	233	0.25
	0.4	1255	720	244	0.26
	0.5	1195	760	255	0.27
	0.6	1130	790	265	0.28
	0.7	1075	825	275	0.3
	0.8	995	870	287	0.31
T3 **	0.1	1655	680	295	0.31
	0.2	1600	715	307	0.33
	0.3	1550	750	320	0.35
	0.4	1495	775	332	0.36
	0.5	1445	810	344	0.37
	0.6	1395	840	355	0.39
	0.7	1340	875	367	0.40
	0.8	1280	900	377	0.42
T4	0.1	-	-	-	-
	0.2	1465	675	255	0.27
	0.3	1410	710	266	0.28
	0.4	1355	745	276	0.30
	0.5	1295	775	288	0.31
	0.6	1240	810	299	0.32
	0.7	1185	845	310	0.34
	0.8	1115	885	321	0.35
T5	0.1	-	-	-	-
	0.2	-	-	-	-
	0.3	1500	740	307	0.33
	0.4	1465	770	318	0.34
	0.5	1410	805	331	0.36
	0.6	1360	835	341	0.37
	0.7	1300	865	354	0.39
	0.8	1245	895	365	0.40

*VALUES ARE FOR FAN MODE ONLY
 **VALUES ARE FOR HEAT MODE ONLY

APPENDIX A BLOWER PERFORMANCE TABLES

DSG0363W / DSG0364W 45K DOWNSHOT					
HIGH STATIC DRIVE					
TAP	EXTERNAL STATIC PRESSURE (ESP) in w.c	AIRFLOW (CFM)	RPM	WATTS	BHP
T1 *	0.8	790	875	240	0.26
	0.9	730	910	249	0.27
	1.0	675	945	259	0.28
	1.1	615	980	268	0.29
	1.2	555	1020	279	0.30
	1.3	515	1050	283	0.31
	1.4	475	1070	289	0.32
	1.5	485	1085	285	0.32
	1.6	440	1085	278	0.32
	1.7	345	1160	304	0.34
1.8	325	1170	306	0.35	
T2	0.8	1355	955	432	0.48
	0.9	1305	985	444	0.50
	1.0	1255	1015	458	0.51
	1.1	1200	1050	471	0.53
	1.2	1150	1080	484	0.54
	1.3	1100	1110	497	0.56
	1.4	1055	1135	509	0.57
	1.5	1020	1165	520	0.59
	1.6	970	1180	527	0.60
	1.7	915	1220	543	0.62
1.8	-	-	-	-	
T3 **	0.8	890	885	268	0.29
	0.9	830	920	278	0.30
	1.0	775	955	288	0.31
	1.1	715	990	299	0.33
	1.2	660	1030	309	0.34
	1.3	615	1060	315	0.35
	1.4	575	1080	323	0.35
	1.5	575	1100	321	0.36
	1.6	530	1100	317	0.36
	1.7	440	1170	341	0.38
1.8	415	1180	344	0.39	
T4	0.8	1485	975	491	0.55
	0.9	1440	1005	504	0.56
	1.0	1390	1035	518	0.58
	1.1	1340	1065	532	0.60
	1.2	1290	1095	546	0.62
	1.3	1240	1125	560	0.63
	1.4	1195	1155	573	0.65
	1.5	1150	1185	587	0.67
	1.6	1100	1205	597	0.68
	1.7	1050	1235	611	0.69
1.8	1005	1260	623	0.71	
T5	0.8	985	900	297	0.33
	0.9	930	930	307	0.34
	1.0	875	970	318	0.35
	1.1	815	1000	329	0.36
	1.2	760	1040	341	0.38
	1.3	715	1070	348	0.39
	1.4	675	1090	356	0.39
	1.5	665	1110	358	0.40
	1.6	-	-	-	-
	1.7	-	-	-	-
1.8	-	-	-	-	

DSG0363W / DSG0364W 45K DOWNSHOT					
HIGH STATIC DRIVE					
TAP	EXTERNAL STATIC PRESSURE (ESP) in w.c	AIRFLOW (CFM)	RPM	WATTS	BHP
T1' *	0.8	1115	915	340	0.37
	0.9	1060	950	351	0.39
	1.0	1005	985	363	0.40
	1.1	950	1015	375	0.42
	1.2	895	1050	387	0.43
	1.3	850	1085	397	0.44
	1.4	805	1105	406	0.45
	1.5	785	1130	411	0.46
	1.6	735	1140	413	0.47
	1.7	665	1195	432	0.49
1.8	630	1210	439	0.50	
T2'	0.8	-	-	-	-
	0.9	-	-	-	-
	1.0	1495	1050	570	0.64
	1.1	1450	1080	585	0.66
	1.2	1400	1110	599	0.68
	1.3	1350	1140	615	0.69
	1.4	1305	1165	628	0.71
	1.5	1255	1195	644	0.73
	1.6	1205	1220	656	0.74
	1.7	1160	1245	669	0.76
1.8	1110	1275	682	0.78	
T3' **	0.8	1115	915	340	0.37
	0.9	1060	950	351	0.39
	1.0	1005	985	363	0.40
	1.1	950	1015	375	0.42
	1.2	895	1050	387	0.43
	1.3	850	1085	397	0.44
	1.4	805	1105	406	0.45
	1.5	785	1130	411	0.46
	1.6	735	1140	413	0.47
	1.7	665	1195	432	0.49
1.8	630	1210	439	0.50	
T4'	0.8	1705	1015	607	0.68
	0.9	1665	1045	621	0.70
	1.0	1615	1075	635	0.72
	1.1	1570	1100	651	0.73
	1.2	1525	1125	665	0.75
	1.3	1475	1155	681	0.77
	1.4	1430	1185	696	0.79
	1.5	1375	1215	713	0.81
	1.6	1325	1240	727	0.83
	1.7	1290	1260	740	0.84
1.8	1235	1290	754	0.86	
T5'	0.8	1240	935	385	0.43
	0.9	1190	965	397	0.44
	1.0	1135	1000	409	0.46
	1.1	1080	1030	422	0.47
	1.2	1025	1065	435	0.49
	1.3	980	1095	446	0.50
	1.4	935	1120	457	0.51
	1.5	905	1145	465	0.52
	1.6	855	1165	470	0.53
	1.7	795	1205	487	0.55
1.8	750	1225	495	0.56	

*VALUES ARE FOR FAN MODE ONLY
 **VALUES ARE FOR HEAT MODE ONLY

APPENDIX A BLOWER PERFORMANCE TABLES

DSG0363W / DSG0364W 45K HORIZONTAL HIGH STATIC DRIVE					
TAP	EXTERNAL STATIC PRESSURE (ESP) in w.c	AIRFLOW (CFM)	RPM	WATTS	BHP
T1 *	0.8	810	845	233	0.25
	0.9	750	880	242	0.26
	1.0	690	910	251	0.27
	1.1	630	945	260	0.28
	1.2	570	985	271	0.29
	1.3	530	1015	275	0.30
	1.4	485	1035	280	0.31
	1.5	495	1045	276	0.31
	1.6	450	1045	270	0.31
	1.7	355	1120	295	0.33
1.8	335	1130	297	0.33	
T2	0.8	1390	920	419	0.46
	0.9	1340	950	431	0.48
	1.0	1285	980	444	0.49
	1.1	1230	1015	457	0.51
	1.2	1180	1040	469	0.52
	1.3	1130	1070	482	0.54
	1.4	1080	1095	494	0.55
	1.5	1045	1125	504	0.57
	1.6	995	1140	511	0.58
	1.7	940	1175	527	0.59
1.8	900	1200	535	0.61	
T3 **	0.8	910	855	260	0.28
	0.9	850	890	270	0.29
	1.0	795	920	279	0.30
	1.1	735	955	290	0.31
	1.2	675	995	300	0.33
	1.3	630	1025	306	0.34
	1.4	590	1040	313	0.34
	1.5	590	1060	311	0.35
	1.6	545	1060	307	0.35
	1.7	450	1130	331	0.37
1.8	425	1140	334	0.37	
T4	0.8	1500	940	476	0.53
	0.9	1475	970	489	0.54
	1.0	1425	1000	502	0.56
	1.1	1375	1030	516	0.58
	1.2	1320	1055	530	0.59
	1.3	1270	1085	543	0.61
	1.4	1225	1115	556	0.63
	1.5	1180	1145	569	0.64
	1.6	1130	1165	579	0.65
	1.7	1075	1190	593	0.67
1.8	1030	1215	604	0.68	
T5	0.8	1010	870	288	0.31
	0.9	955	895	298	0.32
	1.0	895	935	308	0.34
	1.1	835	965	319	0.35
	1.2	780	1005	331	0.36
	1.3	735	1035	338	0.37
	1.4	690	1050	345	0.38
	1.5	680	1070	347	0.39
	1.6	630	1080	345	0.39
	1.7	-	-	-	-
1.8	-	-	-	-	

DSG0363W / DSG0364W 45K HORIZONTAL HIGH STATIC DRIVE					
TAP	EXTERNAL STATIC PRESSURE (ESP) in w.c	AIRFLOW (CFM)	RPM	WATTS	BHP
T1' *	0.8	1145	885	330	0.36
	0.9	1085	915	340	0.37
	1.0	1030	950	352	0.39
	1.1	975	980	364	0.40
	1.2	915	1015	375	0.42
	1.3	870	1045	385	0.43
	1.4	825	1065	394	0.44
	1.5	805	1090	399	0.45
	1.6	755	1100	401	0.45
	1.7	680	1155	419	0.47
1.8	645	1170	426	0.48	
T2'	0.8	-	-	-	-
	0.9	-	-	-	-
	1.0	-	-	-	-
	1.1	1485	1040	567	0.63
	1.2	1435	1070	581	0.65
	1.3	1385	1100	597	0.67
	1.4	1340	1125	609	0.69
	1.5	1285	1155	625	0.70
	1.6	1235	1175	636	0.72
	1.7	1190	1200	649	0.73
1.8	1140	1230	662	0.75	
T3' **	0.8	1145	885	330	0.36
	0.9	1085	915	340	0.37
	1.0	1030	950	352	0.39
	1.1	975	980	364	0.40
	1.2	915	1015	375	0.42
	1.3	870	1045	385	0.43
	1.4	825	1065	394	0.44
	1.5	805	1090	399	0.45
	1.6	755	1100	401	0.45
	1.7	680	1155	419	0.47
1.8	645	1170	426	0.48	
T4'	0.8	1750	980	589	0.65
	0.9	1705	1010	602	0.67
	1.0	1655	1035	616	0.69
	1.1	1610	1060	631	0.71
	1.2	1565	1085	645	0.72
	1.3	1510	1115	661	0.74
	1.4	1465	1145	675	0.76
	1.5	1410	1170	692	0.78
	1.6	1360	1195	705	0.80
	1.7	1320	1215	718	0.81
1.8	1265	1245	731	0.83	
T5'	0.8	1270	900	373	0.41
	0.9	1220	930	385	0.42
	1.0	1165	965	397	0.44
	1.1	1105	995	409	0.45
	1.2	1050	1030	422	0.47
	1.3	1005	1055	433	0.48
	1.4	960	1080	443	0.49
	1.5	930	1105	451	0.50
	1.6	875	1125	456	0.51
	1.7	815	1165	472	0.53
1.8	770	1180	480	0.54	

*VALUES ARE FOR FAN MODE ONLY
**VALUES ARE FOR HEAT MODE ONLY

APPENDIX A BLOWER PERFORMANCE TABLES

DSG0363W / DSG0364W 70K DOWNSHOT					
HIGH STATIC DRIVE					
TAP	EXTERNAL STATIC PRESSURE (ESP) in w.c	AIRFLOW (CFM)	RPM	WATTS	BHP
T1 *	0.8	820	880	248	0.27
	0.9	760	910	257	0.28
	1.0	705	950	267	0.29
	1.1	640	980	277	0.30
	1.2	585	1025	287	0.31
	1.3	545	1055	292	0.32
	1.4	505	1075	299	0.33
	1.5	510	1090	295	0.33
	1.6	465	1090	289	0.33
	1.7	375	1160	315	0.35
T2	0.8	1355	955	432	0.48
	0.9	1305	985	444	0.50
	1.0	1255	1015	458	0.51
	1.1	1200	1050	471	0.53
	1.2	1150	1080	484	0.54
	1.3	1100	1110	497	0.56
	1.4	1055	1135	509	0.57
	1.5	1020	1165	520	0.59
	1.6	970	1180	527	0.60
	1.7	915	1220	543	0.62
T3 **	0.8	1190	925	367	0.41
	0.9	1140	960	378	0.42
	1.0	1085	995	391	0.44
	1.1	1025	1025	403	0.45
	1.2	975	1060	415	0.46
	1.3	925	1090	426	0.48
	1.4	885	1115	436	0.49
	1.5	855	1140	443	0.50
	1.6	805	1155	447	0.51
	1.7	745	1200	465	0.53
T4	0.8	1485	975	491	0.55
	0.9	1440	1005	504	0.56
	1.0	1390	1035	518	0.58
	1.1	1340	1065	532	0.60
	1.2	1290	1095	546	0.62
	1.3	1240	1125	560	0.63
	1.4	1195	1155	573	0.65
	1.5	1150	1185	587	0.67
	1.6	1100	1205	597	0.68
	1.7	1050	1235	611	0.69
T5	0.8	1310	945	413	0.46
	0.9	1260	975	425	0.47
	1.0	1205	1010	438	0.49
	1.1	1150	1040	452	0.50
	1.2	1100	1075	464	0.52
	1.3	1050	1105	477	0.54
	1.4	1010	1130	488	0.55
	1.5	975	1155	498	0.56
	1.6	925	1175	504	0.57
	1.7	-	-	-	-
1.8	-	-	-	-	

DSG0363W / DSG0364W 70K DOWNSHOT					
HIGH STATIC DRIVE					
TAP	EXTERNAL STATIC PRESSURE (ESP) in w.c	AIRFLOW (CFM)	RPM	WATTS	BHP
T1' *	0.8	1150	920	353	0.39
	0.9	1100	955	364	0.40
	1.0	1045	990	377	0.42
	1.1	990	1020	389	0.43
	1.2	935	1055	401	0.45
	1.3	890	1085	411	0.46
	1.4	845	1110	421	0.47
	1.5	820	1135	427	0.48
	1.6	770	1150	430	0.49
	1.7	705	1195	448	0.51
T2'	0.8	-	-	-	-
	0.9	-	-	-	-
	1.0	1495	1050	570	0.64
	1.1	1450	1080	585	0.66
	1.2	1400	1110	599	0.68
	1.3	1350	1140	615	0.69
	1.4	1305	1165	628	0.71
	1.5	1255	1195	644	0.73
	1.6	1205	1220	656	0.74
	1.7	1160	1245	669	0.76
T3' **	0.8	1420	965	461	0.51
	0.9	1375	995	474	0.53
	1.0	1325	1025	488	0.55
	1.1	1270	1055	502	0.56
	1.2	1220	1085	515	0.58
	1.3	1170	1120	529	0.60
	1.4	1130	1145	541	0.61
	1.5	1085	1175	554	0.63
	1.6	1035	1195	562	0.64
	1.7	985	1225	577	0.65
T4'	0.8	1705	1015	607	0.68
	0.9	1665	1045	621	0.70
	1.0	1615	1075	635	0.72
	1.1	1570	1100	651	0.73
	1.2	1525	1125	665	0.75
	1.3	1475	1155	681	0.77
	1.4	1430	1185	696	0.79
	1.5	1375	1215	713	0.81
	1.6	1325	1240	727	0.83
	1.7	1290	1260	740	0.84
T5'	0.8	-	-	-	-
	0.9	1500	1015	535	0.60
	1.0	1455	1045	549	0.62
	1.1	1405	1075	564	0.63
	1.2	1355	1105	577	0.65
	1.3	1305	1135	593	0.67
	1.4	1265	1160	606	0.68
	1.5	1215	1190	621	0.70
	1.6	1165	1215	632	0.72
	1.7	1120	1240	646	0.73
1.8	1070	1270	658	0.75	

*VALUES ARE FOR FAN MODE ONLY
 **VALUES ARE FOR HEAT MODE ONLY

APPENDIX A BLOWER PERFORMANCE TABLES

DSG0363W / DSG0364W 70K HORIZONTAL					
HIGH STATIC DRIVE					
TAP	EXTERNAL STATIC PRESSURE (ESP) in w.c	AIRFLOW (CFM)	RPM	WATTS	BHP
T1 *	0.8	840	850	241	0.26
	0.9	780	880	249	0.27
	1.0	725	915	259	0.28
	1.1	655	945	269	0.29
	1.2	600	990	278	0.30
	1.3	560	1020	283	0.31
	1.4	520	1035	290	0.32
	1.5	525	1050	286	0.32
	1.6	475	1050	280	0.32
	1.7	385	1120	306	0.34
1.8	360	1135	307	0.35	
T2	0.8	1390	920	419	0.46
	0.9	1340	950	431	0.48
	1.0	1285	980	444	0.49
	1.1	1230	1015	457	0.51
	1.2	1180	1040	469	0.52
	1.3	1130	1070	482	0.54
	1.4	1080	1095	494	0.55
	1.5	1045	1125	504	0.57
	1.6	995	1140	511	0.58
	1.7	940	1175	527	0.59
1.8	900	1200	535	0.61	
T3 **	0.8	1220	895	356	0.39
	0.9	1170	925	367	0.41
	1.0	1110	960	379	0.42
	1.1	1050	990	391	0.43
	1.2	1000	1025	403	0.45
	1.3	950	1050	413	0.46
	1.4	905	1075	423	0.47
	1.5	875	1100	430	0.48
	1.6	825	1115	434	0.49
	1.7	765	1160	451	0.51
1.8	725	1175	458	0.51	
T4	0.8	-	-	-	-
	0.9	1475	970	489	0.54
	1.0	1425	1000	502	0.56
	1.1	1375	1030	516	0.58
	1.2	1320	1055	530	0.59
	1.3	1270	1085	543	0.61
	1.4	1225	1115	556	0.63
	1.5	1180	1145	569	0.64
	1.6	1130	1165	579	0.65
	1.7	1075	1190	593	0.67
1.8	1030	1215	604	0.68	
T5	0.8	1345	910	401	0.44
	0.9	1290	940	412	0.46
	1.0	1235	975	425	0.47
	1.1	1180	1005	438	0.49
	1.2	1130	1035	450	0.50
	1.3	1075	1065	463	0.52
	1.4	1035	1090	473	0.53
	1.5	1000	1115	483	0.54
	1.6	950	1135	489	0.55
	1.7	900	1170	504	0.57
1.8	-	-	-	-	

DSG0363W / DSG0364W 70K HORIZONTAL					
HIGH STATIC DRIVE					
TAP	EXTERNAL STATIC PRESSURE (ESP) in w.c	AIRFLOW (CFM)	RPM	WATTS	BHP
T1' *	0.8	1180	890	342	0.38
	0.9	1130	920	353	0.39
	1.0	1070	955	366	0.40
	1.1	1015	985	377	0.42
	1.2	960	1020	389	0.43
	1.3	910	1045	399	0.44
	1.4	865	1070	408	0.45
	1.5	840	1095	414	0.46
	1.6	790	1110	417	0.47
	1.7	725	1155	435	0.49
1.8	685	1170	441	0.50	
T2'	0.8	-	-	-	-
	0.9	-	-	-	-
	1.0	-	-	-	-
	1.1	1485	1040	567	0.63
	1.2	1435	1070	581	0.65
	1.3	1385	1100	597	0.67
	1.4	1340	1125	609	0.69
	1.5	1285	1155	625	0.70
	1.6	1235	1175	636	0.72
	1.7	1190	1200	649	0.73
1.8	1140	1230	662	0.75	
T3' **	0.8	1455	930	447	0.50
	0.9	1410	960	460	0.51
	1.0	1360	990	473	0.53
	1.1	1300	1020	487	0.54
	1.2	1250	1045	500	0.56
	1.3	1200	1080	513	0.58
	1.4	1160	1105	525	0.59
	1.5	1110	1135	537	0.61
	1.6	1060	1155	545	0.62
	1.7	1010	1180	560	0.63
1.8	960	1205	569	0.64	
T4'	0.8	1750	980	589	0.65
	0.9	1705	1010	602	0.67
	1.0	1655	1035	616	0.69
	1.1	1610	1060	631	0.71
	1.2	1565	1085	645	0.72
	1.3	1510	1115	661	0.74
	1.4	1465	1145	675	0.76
	1.5	1410	1170	692	0.78
	1.6	1360	1195	705	0.80
	1.7	1320	1215	718	0.81
1.8	1265	1245	731	0.83	
T5'	0.8	1590	950	505	0.56
	0.9	1545	980	519	0.58
	1.0	1490	1010	533	0.60
	1.1	1440	1035	547	0.61
	1.2	1390	1065	560	0.63
	1.3	1340	1095	575	0.65
	1.4	1295	1120	588	0.66
	1.5	1245	1150	602	0.68
	1.6	1195	1170	613	0.69
	1.7	1150	1195	627	0.71
1.8	1095	1225	638	0.72	

*VALUES ARE FOR FAN MODE ONLY
 **VALUES ARE FOR HEAT MODE ONLY

APPENDIX A BLOWER PERFORMANCE TABLES

DSG0363W / DSG0364W / DSG0367W 90K DOWNSHOT					
HIGH STATIC DRIVE					
TAP	EXTERNAL STATIC PRESSURE (ESP) in w.c	AIRFLOW (CFM)	RPM	WATTS	BHP
T1 *	0.8	985	900	297	0.33
	0.9	930	930	307	0.34
	1.0	875	970	318	0.35
	1.1	815	1000	329	0.36
	1.2	760	1040	341	0.38
	1.3	715	1070	348	0.39
	1.4	675	1090	356	0.39
	1.5	665	1110	358	0.40
	1.6	615	1120	356	0.41
	1.7	535	1180	378	0.43
1.8	505	1195	383	0.43	
T2	0.8	1355	955	432	0.48
	0.9	1305	985	444	0.50
	1.0	1255	1015	458	0.51
	1.1	1200	1050	471	0.53
	1.2	1150	1080	484	0.54
	1.3	1100	1110	497	0.56
	1.4	1055	1135	509	0.57
	1.5	1020	1165	520	0.59
	1.6	970	1180	527	0.60
	1.7	915	1220	543	0.62
1.8	-	-	-	-	
T3 **	0.8	1540	985	516	0.58
	0.9	1495	1015	530	0.59
	1.0	1445	1045	544	0.61
	1.1	1395	1075	559	0.63
	1.2	1345	1100	572	0.64
	1.3	1295	1135	587	0.66
	1.4	1250	1160	601	0.68
	1.5	1205	1190	616	0.70
	1.6	1155	1215	626	0.71
	1.7	1110	1240	640	0.73
1.8	1060	1265	652	0.74	
T4	0.8	1485	975	491	0.55
	0.9	1440	1005	504	0.56
	1.0	1390	1035	518	0.58
	1.1	1340	1065	532	0.60
	1.2	1290	1095	546	0.62
	1.3	1240	1125	560	0.63
	1.4	1195	1155	573	0.65
	1.5	1150	1185	587	0.67
	1.6	1100	1205	597	0.68
	1.7	1050	1235	611	0.69
1.8	1005	1260	623	0.71	
T5	0.8	1665	1010	585	0.65
	0.9	1625	1035	599	0.67
	1.0	1575	1065	613	0.69
	1.1	1530	1095	628	0.71
	1.2	1485	1120	643	0.73
	1.3	1435	1150	659	0.74
	1.4	1390	1175	673	0.76
	1.5	1340	1210	690	0.78
	1.6	1285	1235	703	0.80
	1.7	1245	1255	716	0.81
1.8	1195	1285	730	0.83	

DSG0363W / DSG0364W / DSG0367W 90K DOWNSHOT					
HIGH STATIC DRIVE					
TAP	EXTERNAL STATIC PRESSURE (ESP) in w.c	AIRFLOW (CFM)	RPM	WATTS	BHP
T1'	0.8	1310	945	413	0.46
	0.9	1260	975	425	0.47
	1.0	1205	1010	438	0.49
	1.1	1150	1040	452	0.50
	1.2	1100	1075	464	0.52
	1.3	1050	1105	477	0.54
	1.4	1010	1130	488	0.55
	1.5	975	1155	498	0.56
	1.6	925	1175	504	0.57
	1.7	-	-	-	-
1.8	-	-	-	-	
T2'	0.8	-	-	-	-
	0.9	-	-	-	-
	1.0	1495	1050	570	0.64
	1.1	1450	1080	585	0.66
	1.2	1400	1110	599	0.68
	1.3	1350	1140	615	0.69
	1.4	1305	1165	628	0.71
	1.5	1255	1195	644	0.73
	1.6	1205	1220	656	0.74
	1.7	1160	1245	669	0.76
1.8	1110	1275	682	0.78	
T3' **	0.8	1740	1025	629	0.70
	0.9	1700	1050	643	0.72
	1.0	1655	1080	657	0.74
	1.1	1610	1105	673	0.76
	1.2	1560	1130	687	0.77
	1.3	1515	1160	704	0.80
	1.4	1470	1190	719	0.82
	1.5	1415	1220	737	0.84
	1.6	1365	1245	751	0.85
	1.7	1330	1265	764	0.87
1.8	1275	1295	779	0.89	
T4'	0.8	-	-	-	-
	0.9	-	-	-	-
	1.0	1615	1075	635	0.72
	1.1	1570	1100	651	0.73
	1.2	1525	1125	665	0.75
	1.3	1475	1155	681	0.77
	1.4	1430	1185	696	0.79
	1.5	1375	1215	713	0.81
	1.6	1325	1240	727	0.83
	1.7	1290	1260	740	0.84
1.8	1235	1290	754	0.86	
T5'	0.8	1875	1055	720	0.80
	0.9	1835	1080	735	0.82
	1.0	1795	1105	749	0.84
	1.1	1755	1130	765	0.86
	1.2	1710	1155	780	0.88
	1.3	1660	1185	797	0.90
	1.4	1620	1210	813	0.92
	1.5	1565	1240	831	0.94
	1.6	1520	1265	848	0.96
	1.7	1485	1285	861	0.98
1.8	1430	1315	878	1.00	

*VALUES ARE FOR FAN MODE ONLY
**VALUES ARE FOR HEAT MODE ONLY

APPENDIX A BLOWER PERFORMANCE TABLES

DSG0363W / DSG0364W / DSG0367W 90K HORIZONTAL					
HIGH STATIC DRIVE					
TAP	EXTERNAL STATIC PRESSURE (ESP) in w.c	AIRFLOW (CFM)	RPM	WATTS	BHP
T1 *	0.8	1010	870	288	0.31
	0.9	955	895	298	0.32
	1.0	895	935	308	0.34
	1.1	835	965	319	0.35
	1.2	780	1005	331	0.36
	1.3	735	1035	338	0.37
	1.4	690	1050	345	0.38
	1.5	680	1070	347	0.39
	1.6	630	1080	345	0.39
	1.7	550	1140	367	0.41
1.8	520	1155	372	0.42	
T2	0.8	1390	920	419	0.46
	0.9	1340	950	431	0.48
	1.0	1285	980	444	0.49
	1.1	1230	1015	457	0.51
	1.2	1180	1040	469	0.52
	1.3	1130	1070	482	0.54
	1.4	1080	1095	494	0.55
	1.5	1045	1125	504	0.57
	1.6	995	1140	511	0.58
	1.7	940	1175	527	0.59
1.8	890	1200	535	0.61	
T3 **	0.8	1580	950	501	0.56
	0.9	1530	980	514	0.57
	1.0	1480	1010	528	0.59
	1.1	1430	1035	542	0.61
	1.2	1380	1060	555	0.62
	1.3	1325	1095	569	0.64
	1.4	1280	1120	583	0.66
	1.5	1235	1150	598	0.67
	1.6	1185	1170	607	0.69
	1.7	1140	1195	621	0.70
1.8	1085	1220	632	0.71	
T4	0.8	-	-	-	-
	0.9	1475	970	489	0.54
	1.0	1425	1000	502	0.56
	1.1	1375	1030	516	0.58
	1.2	1320	1055	530	0.59
	1.3	1270	1085	543	0.61
	1.4	1225	1115	556	0.63
	1.5	1180	1145	569	0.64
	1.6	1130	1165	579	0.65
	1.7	1075	1190	593	0.67
1.8	1030	1215	604	0.68	
T5	0.8	1705	975	567	0.63
	0.9	1665	1000	581	0.65
	1.0	1615	1030	595	0.67
	1.1	1570	1055	609	0.68
	1.2	1520	1080	624	0.70
	1.3	1470	1110	639	0.72
	1.4	1425	1135	653	0.73
	1.5	1375	1170	669	0.76
	1.6	1315	1190	682	0.77
	1.7	1275	1210	695	0.78
1.8	1225	1240	708	0.80	

DSG0363W / DSG0364W / DSG0367W 90K HORIZONTAL					
HIGH STATIC DRIVE					
TAP	EXTERNAL STATIC PRESSURE (ESP) in w.c	AIRFLOW (CFM)	RPM	WATTS	BHP
T1' *	0.8	1345	910	401	0.44
	0.9	1290	940	412	0.46
	1.0	1235	975	425	0.47
	1.1	1180	1005	438	0.49
	1.2	1130	1035	450	0.50
	1.3	1075	1065	463	0.52
	1.4	1035	1090	473	0.53
	1.5	1000	1115	483	0.54
	1.6	950	1135	489	0.55
	1.7	885	1170	504	0.57
1.8	840	1190	513	0.58	
T2'	0.8	-	-	-	-
	0.9	-	-	-	-
	1.0	-	-	-	-
	1.1	1485	1040	567	0.63
	1.2	1435	1070	581	0.65
	1.3	1385	1100	597	0.67
	1.4	1340	1125	609	0.69
	1.5	1285	1155	625	0.70
	1.6	1235	1175	636	0.72
	1.7	1190	1200	649	0.73
1.8	1140	1230	662	0.75	
T3' **	0.8	1785	990	610	0.68
	0.9	1740	1015	624	0.70
	1.0	1695	1040	637	0.71
	1.1	1650	1065	653	0.73
	1.2	1600	1090	666	0.75
	1.3	1555	1120	683	0.77
	1.4	1505	1150	697	0.79
	1.5	1450	1175	715	0.81
	1.6	1400	1200	728	0.82
	1.7	1365	1220	741	0.84
1.8	1305	1250	756	0.86	
T4'	0.8	-	-	-	-
	0.9	-	-	-	-
	1.0	1655	1035	616	0.69
	1.1	1610	1060	631	0.71
	1.2	1565	1085	645	0.72
	1.3	1510	1115	661	0.74
	1.4	1465	1145	675	0.76
	1.5	1410	1170	692	0.78
	1.6	1360	1195	705	0.80
	1.7	1320	1215	718	0.81
1.8	1265	1245	731	0.83	
T5'	0.8	1920	1020	698	0.78
	0.9	1880	1040	713	0.79
	1.0	1840	1065	727	0.81
	1.1	1800	1090	742	0.83
	1.2	1755	1115	757	0.85
	1.3	1700	1145	773	0.87
	1.4	1660	1170	789	0.89
	1.5	1605	1195	806	0.91
	1.6	1560	1220	823	0.93
	1.7	1520	1240	835	0.94
1.8	1465	1270	852	0.97	

*VALUES ARE FOR FAN MODE ONLY
**VALUES ARE FOR HEAT MODE ONLY

APPENDIX A BLOWER PERFORMANCE TABLES

DSG0361D 60K ULN DOWNSHOT					
STANDARD STATIC DRIVE					
TAP	EXTERNAL STATIC PRESSURE (ESP) in w.c	AIRFLOW (CFM)	RPM	WATTS	BHP
T1 *	0.1	1030	525	107	0.10
	0.2	905	560	108	0.10
	0.3	835	605	116	0.11
	0.4	755	660	124	0.12
	0.5	690	705	132	0.13
	0.6	-	-	-	-
	0.7	-	-	-	-
	0.8	-	-	-	-
T2	0.1	1400	645	224	0.23
	0.2	1340	680	233	0.24
	0.3	1285	715	243	0.26
	0.4	1230	755	253	0.27
	0.5	1175	795	266	0.28
	0.6	1115	830	274	0.30
	0.7	1050	865	286	0.31
	0.8	995	895	296	0.32
T3 **	0.1	1095	545	124	0.12
	0.2	980	580	126	0.12
	0.3	915	625	135	0.13
	0.4	840	675	143	0.14
	0.5	780	720	152	0.15
	0.6	690	765	164	0.16
	0.7	615	805	173	0.17
	0.8	-	-	-	-
T4	0.1	1470	670	251	0.26
	0.2	1420	705	261	0.28
	0.3	1365	740	272	0.29
	0.4	1315	775	283	0.30
	0.5	1265	810	296	0.32
	0.6	1205	845	304	0.33
	0.7	1145	880	316	0.35
	0.8	1090	905	327	0.36
T5	0.1	-	-	-	-
	0.2	1500	730	299	0.32
	0.3	1460	765	310	0.33
	0.4	1410	795	322	0.35
	0.5	1365	830	336	0.36
	0.6	1310	865	344	0.38
	0.7	1255	900	357	0.39
	0.8	1205	920	368	0.40

DSG0361D 60K ULN HORIZONTAL					
STANDARD STATIC DRIVE					
TAP	EXTERNAL STATIC PRESSURE (ESP) in w.c	AIRFLOW (CFM)	RPM	WATTS	BHP
T1 *	0.1	1060	505	104	0.09
	0.2	930	540	105	0.10
	0.3	860	585	113	0.11
	0.4	780	635	121	0.12
	0.5	710	680	129	0.13
	0.6	-	-	-	-
	0.7	-	-	-	-
	0.8	-	-	-	-
T2	0.1	1445	625	219	0.22
	0.2	1385	655	227	0.24
	0.3	1325	690	237	0.25
	0.4	1265	730	247	0.26
	0.5	1215	765	259	0.27
	0.6	1145	800	268	0.29
	0.7	1085	835	278	0.30
	0.8	1025	865	289	0.31
T3 **	0.1	1130	525	121	0.11
	0.2	1010	560	123	0.12
	0.3	940	605	132	0.13
	0.4	865	650	139	0.14
	0.5	805	695	148	0.15
	0.6	710	740	160	0.16
	0.7	635	775	169	0.17
	0.8	-	-	-	-
T4	0.1	1500	645	245	0.25
	0.2	1465	680	254	0.27
	0.3	1405	715	265	0.28
	0.4	1355	750	276	0.29
	0.5	1305	780	289	0.31
	0.6	1240	815	296	0.32
	0.7	1180	850	308	0.33
	0.8	1125	875	319	0.34
T5	0.1	-	-	-	-
	0.2	-	-	-	-
	0.3	1500	740	302	0.32
	0.4	1450	765	314	0.33
	0.5	1405	800	328	0.35
	0.6	1350	835	335	0.36
	0.7	1295	870	348	0.38
	0.8	1240	890	359	0.39

*VALUES ARE FOR FAN MODE ONLY
 **VALUES ARE FOR HEAT MODE ONLY

APPENDIX A BLOWER PERFORMANCE TABLES

DSG0361D 80K ULN DOWNSHOT					
STANDARD STATIC DRIVE					
TAP	EXTERNAL STATIC PRESSURE (ESP) in w.c	AIRFLOW (CFM)	RPM	WATTS	BHP
T1 *	0.1	1030	525	107	0.02
	0.2	905	560	108	0.02
	0.3	835	605	116	0.02
	0.4	755	660	124	0.02
	0.5	690	705	132	0.03
	0.6	-	-	-	-
	0.7	-	-	-	-
	0.8	-	-	-	-
T2	0.1	1400	640	224	0.23
	0.2	1340	675	233	0.24
	0.3	1285	725	243	0.26
	0.4	1225	750	253	0.27
	0.5	1185	790	265	0.28
	0.6	1120	820	274	0.29
	0.7	1055	865	285	0.31
	0.8	995	895	297	0.32
T3 **	0.1	1370	635	212	0.22
	0.2	1305	670	220	0.23
	0.3	1250	710	230	0.24
	0.4	1190	745	240	0.26
	0.5	1140	785	252	0.27
	0.6	1075	820	261	0.28
	0.7	1010	860	272	0.29
	0.8	950	890	283	0.31
T4	0.1	1470	670	251	0.26
	0.2	1420	705	261	0.28
	0.3	1365	740	272	0.29
	0.4	1315	775	283	0.30
	0.5	1265	810	296	0.32
	0.6	1205	845	304	0.33
	0.7	1145	880	316	0.35
	0.8	1090	905	327	0.36
T5	0.1	2020	855	572	0.61
	0.2	1970	880	590	0.63
	0.3	1930	905	609	0.65
	0.4	1885	935	625	0.67
	0.5	1845	960	641	0.69
	0.6	1805	990	662	0.71
	0.7	1770	1015	678	0.72
	0.8	1730	1010	690	0.72

DSG0361D 80K ULN HORIZONTAL					
STANDARD STATIC DRIVE					
TAP	EXTERNAL STATIC PRESSURE (ESP) in w.c	AIRFLOW (CFM)	RPM	WATTS	BHP
T1 *	0.1	1060	505	104	0.02
	0.2	930	540	105	0.02
	0.3	860	585	113	0.02
	0.4	780	635	121	0.02
	0.5	710	680	129	0.02
	0.6	-	-	-	-
	0.7	-	-	-	-
	0.8	-	-	-	-
T2	0.1	1440	620	219	0.22
	0.2	1380	650	228	0.23
	0.3	1335	700	237	0.25
	0.4	1260	725	247	0.26
	0.5	1220	765	259	0.27
	0.6	1150	790	266	0.28
	0.7	1085	835	278	0.30
	0.8	1025	865	290	0.31
T3 **	0.1	1410	615	207	0.21
	0.2	1345	645	215	0.22
	0.3	1290	685	224	0.23
	0.4	1225	720	234	0.25
	0.5	1175	760	246	0.26
	0.6	1105	790	254	0.27
	0.7	1040	830	265	0.28
	0.8	980	860	276	0.29
T4	0.1	1500	645	245	0.25
	0.2	1465	680	254	0.27
	0.3	1405	715	265	0.28
	0.4	1355	750	276	0.29
	0.5	1305	780	289	0.31
	0.6	1240	815	296	0.32
	0.7	1180	850	308	0.33
	0.8	1125	875	319	0.34
T5	0.1	2080	825	558	0.59
	0.2	2030	850	575	0.61
	0.3	1990	875	594	0.62
	0.4	1940	900	609	0.64
	0.5	1900	925	625	0.66
	0.6	1860	955	645	0.68
	0.7	1825	980	661	0.70
	0.8	1780	975	673	0.70

*VALUES ARE FOR FAN MODE ONLY
 **VALUES ARE FOR HEAT MODE ONLY

APPENDIX A BLOWER PERFORMANCE TABLES

DSG0361D 100K ULN DOWNSHOT					
STANDARD STATIC DRIVE					
TAP	EXTERNAL STATIC PRESSURE (ESP) in w.c	AIRFLOW (CFM)	RPM	WATTS	BHP
T1 *	0.1	1030	525	107	0.10
	0.2	905	560	108	0.10
	0.3	835	605	116	0.11
	0.4	755	660	124	0.12
	0.5	690	705	132	0.13
	0.6	-	-	-	-
	0.7	-	-	-	-
	0.8	-	-	-	-
T2	0.1	1400	645	224	0.23
	0.2	1345	680	232	0.24
	0.3	1290	720	243	0.26
	0.4	1230	755	253	0.27
	0.5	1180	790	265	0.28
	0.6	1115	830	274	0.30
	0.7	1055	865	285	0.31
	0.8	995	895	296	0.32
T3 **	0.1	1400	645	223	0.23
	0.2	1340	680	231	0.24
	0.3	1285	720	242	0.26
	0.4	1225	755	252	0.27
	0.5	1175	790	264	0.28
	0.6	1110	830	273	0.30
	0.7	1050	865	284	0.31
	0.8	990	895	295	0.32
T4	0.1	1470	670	251	0.26
	0.2	1420	705	261	0.28
	0.3	1365	740	272	0.29
	0.4	1315	775	283	0.30
	0.5	1265	810	296	0.32
	0.6	1205	845	304	0.33
	0.7	1145	880	316	0.35
	0.8	1090	905	327	0.36
T5	0.1	-	-	-	-
	0.2	1500	730	299	0.32
	0.3	1460	765	310	0.33
	0.4	1410	795	322	0.35
	0.5	1365	830	336	0.36
	0.6	1310	865	344	0.38
	0.7	1255	900	357	0.39
	0.8	1205	920	368	0.40

DSG0361D 100K ULN HORIZONTAL					
STANDARD STATIC DRIVE					
TAP	EXTERNAL STATIC PRESSURE (ESP) in w.c	AIRFLOW (CFM)	RPM	WATTS	BHP
T1 *	0.1	1060	505	104	0.09
	0.2	930	540	105	0.10
	0.3	860	585	113	0.11
	0.4	780	635	121	0.12
	0.5	710	680	129	0.13
	0.6	-	-	-	-
	0.7	-	-	-	-
	0.8	-	-	-	-
T2	0.1	1440	620	218	0.22
	0.2	1385	655	226	0.23
	0.3	1330	695	237	0.25
	0.4	1265	730	247	0.26
	0.5	1215	760	258	0.27
	0.6	1150	800	267	0.29
	0.7	1085	835	278	0.30
	0.8	1025	865	289	0.31
T3 **	0.1	1440	620	217	0.22
	0.2	1380	655	225	0.23
	0.3	1325	695	236	0.25
	0.4	1260	730	246	0.26
	0.5	1210	760	257	0.27
	0.6	1145	800	266	0.29
	0.7	1080	835	277	0.30
	0.8	1020	865	288	0.31
T4	0.1	1500	645	245	0.25
	0.2	1465	680	254	0.27
	0.3	1405	715	265	0.28
	0.4	1355	750	276	0.29
	0.5	1305	780	289	0.31
	0.6	1240	815	296	0.32
	0.7	1180	850	308	0.33
	0.8	1125	875	319	0.34
T5	0.1	-	-	-	-
	0.2	-	-	-	-
	0.3	1500	740	302	0.32
	0.4	1450	765	314	0.33
	0.5	1405	800	328	0.35
	0.6	1350	835	335	0.36
	0.7	1295	870	348	0.38
	0.8	1240	890	359	0.39

*VALUES ARE FOR FAN MODE ONLY
 **VALUES ARE FOR HEAT MODE ONLY

APPENDIX A BLOWER PERFORMANCE TABLES

DSG0363D 60K ULN DOWNSHOT					
STANDARD STATIC DRIVE					
TAP	EXTERNAL STATIC PRESSURE (ESP) in w.c	AIRFLOW (CFM)	RPM	WATTS	BHP
T1 *	0.1	1030	525	107	0.10
	0.2	905	560	108	0.10
	0.3	835	605	116	0.11
	0.4	755	660	124	0.12
	0.5	690	705	132	0.13
	0.6	-	-	-	-
	0.7	-	-	-	-
	0.8	-	-	-	-
T2	0.1	1400	645	224	0.23
	0.2	1340	680	233	0.24
	0.3	1285	715	243	0.26
	0.4	1230	755	253	0.27
	0.5	1175	795	266	0.28
	0.6	1115	830	274	0.30
	0.7	1050	865	286	0.31
	0.8	995	895	296	0.32
T3 **	0.1	1095	545	124	0.12
	0.2	980	580	126	0.12
	0.3	915	625	135	0.13
	0.4	840	675	143	0.14
	0.5	780	720	152	0.15
	0.6	690	765	164	0.16
	0.7	615	805	173	0.17
	0.8	-	-	-	-
T4	0.1	1470	670	251	0.26
	0.2	1420	705	261	0.28
	0.3	1365	740	272	0.29
	0.4	1315	775	283	0.30
	0.5	1265	810	296	0.32
	0.6	1205	845	304	0.33
	0.7	1145	880	316	0.35
	0.8	1090	905	327	0.36
T5	0.1	-	-	-	-
	0.2	1500	730	299	0.32
	0.3	1460	765	310	0.33
	0.4	1410	795	322	0.35
	0.5	1365	830	336	0.36
	0.6	1310	865	344	0.38
	0.7	1255	900	357	0.39
	0.8	1205	920	368	0.40

DSG0363D 60K ULN HORIZONTAL					
STANDARD STATIC DRIVE					
TAP	EXTERNAL STATIC PRESSURE (ESP) in w.c	AIRFLOW (CFM)	RPM	WATTS	BHP
T1 *	0.1	1060	505	104	0.09
	0.2	930	540	105	0.10
	0.3	860	585	113	0.11
	0.4	780	635	121	0.12
	0.5	710	680	129	0.13
	0.6	-	-	-	-
	0.7	-	-	-	-
	0.8	-	-	-	-
T2	0.1	1445	625	219	0.22
	0.2	1385	655	227	0.24
	0.3	1325	690	237	0.25
	0.4	1265	730	247	0.26
	0.5	1215	765	259	0.27
	0.6	1145	800	268	0.29
	0.7	1085	835	278	0.3
	0.8	1025	865	289	0.31
T3 **	0.1	1130	525	121	0.11
	0.2	1010	560	123	0.12
	0.3	940	605	132	0.13
	0.4	865	650	139	0.14
	0.5	805	695	148	0.15
	0.6	710	740	160	0.16
	0.7	635	775	169	0.17
	0.8	-	-	-	-
T4	0.1	1500	645	245	0.25
	0.2	1465	680	254	0.27
	0.3	1405	715	265	0.28
	0.4	1355	750	276	0.29
	0.5	1305	780	289	0.31
	0.6	1240	815	296	0.32
	0.7	1180	850	308	0.33
	0.8	1125	875	319	0.34
T5	0.1	-	-	-	-
	0.2	-	-	-	-
	0.3	1500	740	302	0.32
	0.4	1450	765	314	0.33
	0.5	1405	800	328	0.35
	0.6	1350	835	335	0.36
	0.7	1295	870	348	0.38
	0.8	1240	890	359	0.39

*VALUES ARE FOR FAN MODE ONLY
 **VALUES ARE FOR HEAT MODE ONLY

APPENDIX A BLOWER PERFORMANCE TABLES

DSG0363D 80K ULN DOWNSHOT					
STANDARD STATIC DRIVE					
TAP	EXTERNAL STATIC PRESSURE (ESP) in w.c	AIRFLOW (CFM)	RPM	WATTS	BHP
T1 *	0.1	1030	525	107	0.10
	0.2	905	560	108	0.10
	0.3	835	605	116	0.11
	0.4	755	660	124	0.12
	0.5	690	705	132	0.13
	0.6	-	-	-	-
	0.7	-	-	-	-
	0.8	-	-	-	-
T2	0.1	1400	640	224	0.23
	0.2	1340	675	233	0.24
	0.3	1285	725	243	0.26
	0.4	1225	750	253	0.27
	0.5	1185	790	265	0.28
	0.6	1120	820	274	0.29
	0.7	1055	865	285	0.31
	0.8	995	895	297	0.32
T3 **	0.1	1370	635	212	0.22
	0.2	1305	670	220	0.23
	0.3	1250	710	230	0.24
	0.4	1190	745	240	0.26
	0.5	1140	785	252	0.27
	0.6	1075	820	261	0.28
	0.7	1010	860	272	0.29
	0.8	950	890	283	0.31
T4	0.1	1470	670	251	0.26
	0.2	1420	705	261	0.28
	0.3	1365	740	272	0.29
	0.4	1315	775	283	0.30
	0.5	1265	810	296	0.32
	0.6	1205	845	304	0.33
	0.7	1145	880	316	0.35
	0.8	1090	905	327	0.36
T5	0.1	-	-	-	-
	0.2	1500	730	299	0.32
	0.3	1460	765	310	0.33
	0.4	1410	795	322	0.35
	0.5	1365	830	336	0.36
	0.6	1310	865	344	0.38
	0.7	1255	900	357	0.39
	0.8	1205	920	368	0.40

DSG0363D 80K ULN HORIZONTAL					
STANDARD STATIC DRIVE					
TAP	EXTERNAL STATIC PRESSURE (ESP) in w.c	AIRFLOW (CFM)	RPM	WATTS	BHP
T1 *	0.1	1060	505	104	0.09
	0.2	930	540	105	0.10
	0.3	860	585	113	0.11
	0.4	780	635	121	0.12
	0.5	710	680	129	0.13
	0.6	-	-	-	-
	0.7	-	-	-	-
	0.8	-	-	-	-
T2	0.1	1440	620	219	0.22
	0.2	1380	650	228	0.23
	0.3	1335	700	237	0.25
	0.4	1260	725	247	0.26
	0.5	1220	765	259	0.27
	0.6	1150	790	266	0.28
	0.7	1085	835	278	0.3
	0.8	1025	865	290	0.31
T3 **	0.1	1410	615	207	0.21
	0.2	1345	645	215	0.22
	0.3	1290	685	224	0.23
	0.4	1225	720	234	0.25
	0.5	1175	760	246	0.26
	0.6	1105	790	254	0.27
	0.7	1040	830	265	0.28
	0.8	980	860	276	0.29
T4	0.1	1500	645	245	0.25
	0.2	1465	680	254	0.27
	0.3	1405	715	265	0.28
	0.4	1355	750	276	0.29
	0.5	1305	780	289	0.31
	0.6	1240	815	296	0.32
	0.7	1180	850	308	0.33
	0.8	1125	875	319	0.34
T5	0.1	-	-	-	-
	0.2	-	-	-	-
	0.3	1500	740	302	0.32
	0.4	1450	765	314	0.33
	0.5	1405	800	328	0.35
	0.6	1350	835	335	0.36
	0.7	1295	870	348	0.38
	0.8	1240	890	359	0.39

*VALUES ARE FOR FAN MODE ONLY
 **VALUES ARE FOR HEAT MODE ONLY

APPENDIX A BLOWER PERFORMANCE TABLES

DSG0363D 100K ULN DOWNSHOT					
STANDARD STATIC DRIVE					
TAP	EXTERNAL STATIC PRESSURE (ESP) in w.c	AIRFLOW (CFM)	RPM	WATTS	BHP
T1 *	0.1	1030	525	107	0.10
	0.2	905	560	108	0.10
	0.3	835	605	116	0.11
	0.4	755	660	124	0.12
	0.5	690	705	132	0.13
	0.6	-	-	-	-
	0.7	-	-	-	-
	0.8	-	-	-	-
T2	0.1	1400	645	224	0.23
	0.2	1345	680	232	0.24
	0.3	1290	720	243	0.26
	0.4	1230	755	253	0.27
	0.5	1180	790	265	0.28
	0.6	1115	830	274	0.3
	0.7	1055	865	285	0.31
	0.8	995	895	296	0.32
T3 **	0.1	1400	645	223	0.23
	0.2	1340	680	231	0.24
	0.3	1285	720	242	0.26
	0.4	1225	755	252	0.27
	0.5	1175	790	264	0.28
	0.6	1110	830	273	0.30
	0.7	1050	865	284	0.31
	0.8	990	895	295	0.32
T4	0.1	1470	670	251	0.26
	0.2	1420	705	261	0.28
	0.3	1365	740	272	0.29
	0.4	1315	775	283	0.30
	0.5	1265	810	296	0.32
	0.6	1205	845	304	0.33
	0.7	1145	880	316	0.35
	0.8	1090	905	327	0.36
T5	0.1	-	-	-	-
	0.2	1500	730	299	0.32
	0.3	1460	765	310	0.33
	0.4	1410	795	322	0.35
	0.5	1365	830	336	0.36
	0.6	1310	865	344	0.38
	0.7	1255	900	357	0.39
	0.8	1205	920	368	0.40

DSG0363D 100K ULN HORIZONTAL					
STANDARD STATIC DRIVE					
TAP	EXTERNAL STATIC PRESSURE (ESP) in w.c	AIRFLOW (CFM)	RPM	WATTS	BHP
T1 *	0.1	1060	505	104	0.09
	0.2	930	540	105	0.10
	0.3	860	585	113	0.11
	0.4	780	635	121	0.12
	0.5	710	680	129	0.13
	0.6	-	-	-	-
	0.7	-	-	-	-
	0.8	-	-	-	-
T2	0.1	1440	620	218	0.22
	0.2	1385	655	226	0.23
	0.3	1330	695	237	0.25
	0.4	1265	730	247	0.26
	0.5	1215	760	258	0.27
	0.6	1150	800	267	0.29
	0.7	1085	835	278	0.3
	0.8	1025	865	289	0.31
T3 **	0.1	1440	620	217	0.22
	0.2	1380	655	225	0.23
	0.3	1325	695	236	0.25
	0.4	1260	730	246	0.26
	0.5	1210	760	257	0.27
	0.6	1145	800	266	0.29
	0.7	1080	835	277	0.30
	0.8	1020	865	288	0.31
T4	0.1	1500	645	245	0.25
	0.2	1465	680	254	0.27
	0.3	1405	715	265	0.28
	0.4	1355	750	276	0.29
	0.5	1305	780	289	0.31
	0.6	1240	815	296	0.32
	0.7	1180	850	308	0.33
	0.8	1125	875	319	0.34
T5	0.1	-	-	-	-
	0.2	-	-	-	-
	0.3	1500	740	302	0.32
	0.4	1450	765	314	0.33
	0.5	1405	800	328	0.35
	0.6	1350	835	335	0.36
	0.7	1295	870	348	0.38
	0.8	1240	890	359	0.39

*VALUES ARE FOR FAN MODE ONLY
 **VALUES ARE FOR HEAT MODE ONLY

APPENDIX A BLOWER PERFORMANCE TABLES

DSG0364D 60K ULN DOWNSHOT					
STANDARD STATIC DRIVE					
TAP	EXTERNAL STATIC PRESSURE (ESP) in w.c	AIRFLOW (CFM)	RPM	WATTS	BHP
T1 *	0.1	1145	555	129	0.13
	0.2	1070	595	139	0.14
	0.3	1005	635	147	0.15
	0.4	940	675	157	0.16
	0.5	865	720	166	0.17
	0.6	790	760	175	0.18
	0.7	720	800	184	0.19
	0.8	630	855	198	0.21
T2	0.1	1405	635	217	0.23
	0.2	1345	675	229	0.24
	0.3	1285	710	240	0.26
	0.4	1230	745	251	0.27
	0.5	1170	785	262	0.28
	0.6	1110	820	273	0.3
	0.7	1050	860	284	0.31
	0.8	975	900	295	0.32
T3 **	0.1	1415	640	221	0.23
	0.2	1355	680	233	0.25
	0.3	1295	715	244	0.26
	0.4	1240	750	255	0.27
	0.5	1180	790	266	0.29
	0.6	1120	825	277	0.30
	0.7	1060	860	288	0.31
	0.8	990	900	299	0.33
T4	0.1	1490	665	250	0.27
	0.2	1430	700	263	0.28
	0.3	1375	735	274	0.29
	0.4	1320	770	285	0.31
	0.5	1265	805	297	0.32
	0.6	1210	840	308	0.34
	0.7	1155	875	320	0.35
	0.8	1090	915	331	0.37
T5	0.1	-	-	-	-
	0.2	-	-	-	-
	0.3	1480	765	317	0.34
	0.4	1430	800	328	0.36
	0.5	1375	835	341	0.37
	0.6	1325	865	352	0.39
	0.7	1270	895	365	0.40
	0.8	1215	930	376	0.42

DSG0364D 60K ULN HORIZONTAL					
STANDARD STATIC DRIVE					
TAP	EXTERNAL STATIC PRESSURE (ESP) in w.c	AIRFLOW (CFM)	RPM	WATTS	BHP
T1 *	0.1	1175	535	125	0.13
	0.2	1095	575	135	0.14
	0.3	1030	615	143	0.15
	0.4	965	650	152	0.16
	0.5	885	695	161	0.17
	0.6	810	735	170	0.18
	0.7	740	770	178	0.19
	0.8	645	825	192	0.20
T2	0.1	1440	615	210	0.22
	0.2	1380	650	222	0.23
	0.3	1315	685	233	0.25
	0.4	1260	720	243	0.26
	0.5	1200	760	254	0.27
	0.6	1135	790	265	0.29
	0.7	1075	830	275	0.3
	0.8	1000	870	286	0.31
T3 **	0.1	1450	620	214	0.23
	0.2	1390	655	226	0.24
	0.3	1325	690	237	0.25
	0.4	1270	725	247	0.26
	0.5	1210	760	258	0.28
	0.6	1150	795	269	0.29
	0.7	1085	830	279	0.30
	0.8	1015	870	290	0.32
T4	0.1	-	-	-	-
	0.2	1465	675	255	0.27
	0.3	1410	710	266	0.28
	0.4	1355	745	276	0.30
	0.5	1295	775	288	0.31
	0.6	1240	810	299	0.32
	0.7	1185	845	310	0.34
	0.8	1115	885	321	0.35
T5	0.1	-	-	-	-
	0.2	-	-	-	-
	0.3	1500	740	307	0.33
	0.4	1465	770	318	0.34
	0.5	1410	805	331	0.36
	0.6	1360	835	341	0.37
	0.7	1300	865	354	0.39
	0.8	1245	895	365	0.40

*VALUES ARE FOR FAN MODE ONLY
 **VALUES ARE FOR HEAT MODE ONLY

APPENDIX A BLOWER PERFORMANCE TABLES

DSG0364D 80K ULN DOWNSHOT					
STANDARD STATIC DRIVE					
TAP	EXTERNAL STATIC PRESSURE (ESP) in w.c	AIRFLOW (CFM)	RPM	WATTS	BHP
T1 *	0.1	1145	555	129	0.13
	0.2	1070	595	139	0.14
	0.3	1005	635	147	0.15
	0.4	940	675	157	0.16
	0.5	865	720	166	0.17
	0.6	790	760	175	0.18
	0.7	720	800	184	0.19
	0.8	630	855	198	0.21
T2	0.1	1405	635	217	0.23
	0.2	1345	675	229	0.24
	0.3	1285	710	240	0.26
	0.4	1230	745	251	0.27
	0.5	1170	785	262	0.28
	0.6	1110	820	273	0.3
	0.7	1050	860	284	0.31
	0.8	975	900	295	0.32
T3 **	0.1	1415	640	221	0.23
	0.2	1355	680	233	0.25
	0.3	1295	715	244	0.26
	0.4	1240	750	255	0.27
	0.5	1180	790	266	0.29
	0.6	1120	825	277	0.30
	0.7	1060	860	288	0.31
	0.8	990	900	299	0.33
T4	0.1	1490	665	250	0.27
	0.2	1430	700	263	0.28
	0.3	1375	735	274	0.29
	0.4	1320	770	285	0.31
	0.5	1265	805	297	0.32
	0.6	1210	840	308	0.34
	0.7	1155	875	320	0.35
	0.8	1090	915	331	0.37
T5	0.1	-	-	-	-
	0.2	-	-	-	-
	0.3	1480	765	317	0.34
	0.4	1430	800	328	0.36
	0.5	1375	835	341	0.37
	0.6	1325	865	352	0.39
	0.7	1270	895	365	0.40
	0.8	1215	930	376	0.42

DSG0364D 80K ULN HORIZONTAL					
STANDARD STATIC DRIVE					
TAP	EXTERNAL STATIC PRESSURE (ESP) in w.c	AIRFLOW (CFM)	RPM	WATTS	BHP
T1 *	0.1	1175	535	125	0.13
	0.2	1095	575	135	0.14
	0.3	1030	615	143	0.15
	0.4	965	650	152	0.16
	0.5	885	695	161	0.17
	0.6	810	735	170	0.18
	0.7	740	770	178	0.19
	0.8	645	825	192	0.20
T2	0.1	1440	615	210	0.22
	0.2	1380	650	222	0.23
	0.3	1315	685	233	0.25
	0.4	1260	720	243	0.26
	0.5	1200	760	254	0.27
	0.6	1135	790	265	0.29
	0.7	1075	830	275	0.3
	0.8	1000	870	286	0.31
T3 **	0.1	1450	620	214	0.23
	0.2	1390	655	226	0.24
	0.3	1325	690	237	0.25
	0.4	1270	725	247	0.26
	0.5	1210	760	258	0.28
	0.6	1150	795	269	0.29
	0.7	1085	830	279	0.30
	0.8	1015	870	290	0.32
T4	0.1	-	-	-	-
	0.2	1465	675	255	0.27
	0.3	1410	710	266	0.28
	0.4	1355	745	276	0.30
	0.5	1295	775	288	0.31
	0.6	1240	810	299	0.32
	0.7	1185	845	310	0.34
	0.8	1115	885	321	0.35
T5	0.1	-	-	-	-
	0.2	-	-	-	-
	0.3	1500	740	307	0.33
	0.4	1465	770	318	0.34
	0.5	1410	805	331	0.36
	0.6	1360	835	341	0.37
	0.7	1300	865	354	0.39
	0.8	1245	895	365	0.40

*VALUES ARE FOR FAN MODE ONLY
 **VALUES ARE FOR HEAT MODE ONLY

APPENDIX A BLOWER PERFORMANCE TABLES

DSG0364D 100K ULN DOWNSHOT					
STANDARD STATIC DRIVE					
TAP	EXTERNAL STATIC PRESSURE (ESP) in w.c	AIRFLOW (CFM)	RPM	WATTS	BHP
T1 *	0.1	1225	580	155	0.16
	0.2	1155	620	166	0.17
	0.3	1095	660	175	0.18
	0.4	1030	700	184	0.20
	0.5	960	740	194	0.21
	0.6	895	780	204	0.22
	0.7	825	820	214	0.23
	0.8	740	870	227	0.24
T2	0.1	1405	640	217	0.23
	0.2	1340	675	229	0.24
	0.3	1285	710	240	0.26
	0.4	1225	750	251	0.27
	0.5	1165	785	262	0.28
	0.6	1105	820	272	0.3
	0.7	1045	855	283	0.31
	0.8	975	900	295	0.32
T3 **	0.1	1440	650	231	0.24
	0.2	1380	685	243	0.26
	0.3	1320	720	254	0.27
	0.4	1265	760	265	0.29
	0.5	1205	795	276	0.30
	0.6	1150	830	287	0.31
	0.7	1090	865	298	0.33
	0.8	1025	905	309	0.34
T4	0.1	1490	665	250	0.27
	0.2	1430	700	263	0.28
	0.3	1375	735	274	0.29
	0.4	1320	770	285	0.31
	0.5	1265	805	297	0.32
	0.6	1210	840	308	0.34
	0.7	1155	875	320	0.35
	0.8	1090	915	331	0.37
T5	0.1	-	-	-	-
	0.2	-	-	-	-
	0.3	1480	765	317	0.34
	0.4	1430	800	328	0.36
	0.5	1375	835	341	0.37
	0.6	1325	865	352	0.39
	0.7	1270	895	365	0.40
	0.8	1215	930	376	0.42

DSG0364D 100K ULN HORIZONTAL					
STANDARD STATIC DRIVE					
TAP	EXTERNAL STATIC PRESSURE (ESP) in w.c	AIRFLOW (CFM)	RPM	WATTS	BHP
T1 *	0.1	1255	560	150	0.16
	0.2	1185	600	161	0.17
	0.3	1120	635	170	0.18
	0.4	1055	675	178	0.19
	0.5	985	715	188	0.20
	0.6	915	755	198	0.21
	0.7	845	790	208	0.22
	0.8	760	840	220	0.23
T2	0.1	1440	615	211	0.22
	0.2	1375	650	223	0.23
	0.3	1315	685	232	0.25
	0.4	1255	725	243	0.26
	0.5	1195	755	254	0.27
	0.6	1135	790	264	0.28
	0.7	1070	825	275	0.3
	0.8	1000	870	286	0.31
T3 **	0.1	1475	625	224	0.24
	0.2	1415	660	236	0.25
	0.3	1355	695	246	0.26
	0.4	1295	735	257	0.28
	0.5	1235	765	268	0.29
	0.6	1180	800	278	0.30
	0.7	1115	835	289	0.31
	0.8	1050	875	300	0.33
T4	0.1	-	-	-	-
	0.2	1465	675	255	0.27
	0.3	1410	710	266	0.28
	0.4	1355	745	276	0.30
	0.5	1295	775	288	0.31
	0.6	1240	810	299	0.32
	0.7	1185	845	310	0.34
	0.8	1115	885	321	0.35
T5	0.1	-	-	-	-
	0.2	-	-	-	-
	0.3	1500	740	307	0.33
	0.4	1465	770	318	0.34
	0.5	1410	805	331	0.36
	0.6	1360	835	341	0.37
	0.7	1300	865	354	0.39
	0.8	1245	895	365	0.40

*VALUES ARE FOR FAN MODE ONLY
 **VALUES ARE FOR HEAT MODE ONLY

APPENDIX A BLOWER PERFORMANCE TABLES

DSG0363W / DSG0364W 60K ULN DOWNSHOT					
HIGH STATIC DRIVE					
TAP	EXTERNAL STATIC PRESSURE (ESP) in w.c	AIRFLOW (CFM)	RPM	WATTS	BHP
T1 *	0.8	855	880	257	0.28
	0.9	795	915	267	0.29
	1.0	740	950	277	0.30
	1.1	675	985	287	0.31
	1.2	620	1025	298	0.32
	1.3	-	-	-	-
	1.4	-	-	-	-
	1.5	-	-	-	-
	1.6	-	-	-	-
	1.7	-	-	-	-
1.8	-	-	-	-	
T2	0.8	1355	955	432	0.48
	0.9	1305	985	444	0.50
	1.0	1255	1015	458	0.51
	1.1	1200	1050	471	0.53
	1.2	1150	1080	484	0.54
	1.3	1100	1110	497	0.56
	1.4	1055	1135	509	0.57
	1.5	1020	1165	520	0.59
	1.6	970	1180	527	0.60
	1.7	915	1220	543	0.62
1.8	-	-	-	-	
T3 **	0.8	1340	950	426	0.47
	0.9	1295	980	438	0.49
	1.0	1240	1015	452	0.51
	1.1	1185	1045	466	0.52
	1.2	1135	1075	478	0.54
	1.3	1085	1110	491	0.55
	1.4	1045	1135	503	0.57
	1.5	1005	1160	514	0.58
	1.6	955	1180	520	0.59
	1.7	900	1220	536	0.61
1.8	855	1240	546	0.62	
T4	0.8	1485	975	491	0.55
	0.9	1440	1005	504	0.56
	1.0	1390	1035	518	0.58
	1.1	1340	1065	532	0.60
	1.2	1290	1095	546	0.62
	1.3	1240	1125	560	0.63
	1.4	1195	1155	573	0.65
	1.5	1150	1185	587	0.67
	1.6	1100	1205	597	0.68
	1.7	1050	1235	611	0.69
1.8	1005	1260	623	0.71	
T5	0.8	1465	970	481	0.54
	0.9	1420	1000	494	0.55
	1.0	1370	1030	508	0.57
	1.1	1315	1065	522	0.59
	1.2	1265	1090	535	0.60
	1.3	1220	1125	550	0.62
	1.4	1175	1150	562	0.63
	1.5	1130	1180	576	0.65
	1.6	1080	1200	585	0.66
	1.7	1030	1235	600	0.68
1.8	980	1260	611	0.70	

DSG0363W / DSG0364W 60K ULN DOWNSHOT					
HIGH STATIC DRIVE					
TAP	EXTERNAL STATIC PRESSURE (ESP) in w.c	AIRFLOW (CFM)	RPM	WATTS	BHP
T1'	0.8	1190	925	367	0.41
	0.9	1140	960	378	0.42
	1.0	1085	995	391	0.44
	1.1	1025	1025	403	0.45
	1.2	975	1060	415	0.46
	1.3	925	1090	426	0.48
	1.4	885	1115	436	0.49
	1.5	855	1140	443	0.50
	1.6	805	1155	447	0.51
	1.7	745	1200	465	0.53
1.8	705	1220	472	0.53	
T2'	0.8	1590	995	542	0.61
	0.9	1545	1020	556	0.62
	1.0	1495	1050	570	0.64
	1.1	1450	1080	585	0.66
	1.2	1400	1110	599	0.68
	1.3	1350	1140	615	0.69
	1.4	1305	1165	628	0.71
	1.5	1255	1195	644	0.73
	1.6	1205	1220	656	0.74
	1.7	1160	1245	669	0.76
1.8	1110	1275	682	0.78	
T3'	0.8	1570	990	532	0.59
	0.9	1525	1020	545	0.61
	1.0	1475	1050	560	0.63
	1.1	1425	1080	574	0.65
	1.2	1380	1105	588	0.66
	1.3	1330	1135	604	0.68
	1.4	1285	1165	617	0.70
	1.5	1235	1195	633	0.72
	1.6	1185	1220	644	0.73
	1.7	1140	1245	657	0.75
1.8	1090	1270	670	0.76	
T4'	0.8	1705	1015	607	0.68
	0.9	1665	1045	621	0.70
	1.0	1615	1075	635	0.72
	1.1	1570	1100	651	0.73
	1.2	1525	1125	665	0.75
	1.3	1475	1155	681	0.77
	1.4	1430	1185	696	0.79
	1.5	1375	1215	713	0.81
	1.6	1325	1240	727	0.83
	1.7	1290	1260	740	0.84
1.8	1235	1290	754	0.86	
T5'	0.8	1695	1015	601	0.67
	0.9	1655	1040	615	0.69
	1.0	1605	1070	630	0.71
	1.1	1560	1100	645	0.73
	1.2	1515	1125	659	0.74
	1.3	1465	1155	676	0.76
	1.4	1420	1180	690	0.78
	1.5	1370	1210	707	0.80
	1.6	1315	1240	721	0.82
	1.7	1280	1260	734	0.83
1.8	1225	1290	748	0.85	

*VALUES ARE FOR FAN MODE ONLY
 **VALUES ARE FOR HEAT MODE ONLY

APPENDIX A BLOWER PERFORMANCE TABLES

DSG0363W / DSG0364W 60K ULN HORIZONTAL					
HIGH STATIC DRIVE					
TAP	EXTERNAL STATIC PRESSURE (ESP) in w.c	AIRFLOW (CFM)	RPM	WATTS	BHP
T1 *	0.8	875	850	249	0.27
	0.9	815	885	259	0.28
	1.0	760	915	269	0.29
	1.1	690	950	278	0.30
	1.2	635	990	289	0.31
	1.3	-	-	-	-
	1.4	-	-	-	-
	1.5	-	-	-	-
	1.6	-	-	-	-
	1.7	-	-	-	-
1.8	-	-	-	-	
T2	0.8	1390	920	419	0.46
	0.9	1340	950	431	0.48
	1.0	1285	980	444	0.49
	1.1	1230	1015	457	0.51
	1.2	1180	1040	469	0.52
	1.3	1130	1070	482	0.54
	1.4	1080	1095	494	0.55
	1.5	1045	1125	504	0.57
	1.6	995	1140	511	0.58
	1.7	940	1175	527	0.59
1.8	900	1200	535	0.61	
T3 **	0.8	1375	915	413	0.46
	0.9	1325	945	425	0.47
	1.0	1270	980	438	0.49
	1.1	1215	1010	452	0.50
	1.2	1165	1035	464	0.52
	1.3	1110	1070	476	0.53
	1.4	1070	1095	488	0.55
	1.5	1030	1120	499	0.56
	1.6	980	1140	504	0.57
	1.7	920	1175	520	0.59
1.8	875	1195	530	0.60	
T4	0.8	1500	940	476	0.53
	0.9	1475	970	489	0.54
	1.0	1425	1000	502	0.56
	1.1	1375	1030	516	0.58
	1.2	1320	1055	530	0.59
	1.3	1270	1085	543	0.61
	1.4	1225	1115	556	0.63
	1.5	1180	1145	569	0.64
	1.6	1130	1165	579	0.65
	1.7	1075	1190	593	0.67
1.8	1030	1215	604	0.68	
T5	0.8	1500	935	467	0.52
	0.9	1455	965	479	0.53
	1.0	1405	995	493	0.55
	1.1	1350	1030	506	0.57
	1.2	1295	1050	519	0.58
	1.3	1250	1085	534	0.60
	1.4	1205	1110	545	0.61
	1.5	1160	1140	559	0.63
	1.6	1105	1160	567	0.64
	1.7	1055	1190	582	0.66
1.8	1005	1215	593	0.67	

DSG0363W / DSG0364W 60K ULN HORIZONTAL					
HIGH STATIC DRIVE					
TAP	EXTERNAL STATIC PRESSURE (ESP) in w.c	AIRFLOW (CFM)	RPM	WATTS	BHP
T1' *	0.8	1220	895	356	0.39
	0.9	1170	925	367	0.41
	1.0	1110	960	379	0.42
	1.1	1050	990	391	0.43
	1.2	1000	1025	403	0.45
	1.3	950	1050	413	0.46
	1.4	905	1075	423	0.47
	1.5	875	1100	430	0.48
	1.6	825	1115	434	0.49
	1.7	765	1160	451	0.51
1.8	725	1175	458	0.51	
T2'	0.8	1630	960	526	0.58
	0.9	1585	985	539	0.60
	1.0	1530	1015	553	0.62
	1.1	1485	1040	567	0.63
	1.2	1435	1070	581	0.65
	1.3	1385	1100	597	0.67
	1.4	1340	1125	609	0.69
	1.5	1285	1155	625	0.70
	1.6	1235	1175	636	0.72
	1.7	1190	1200	649	0.73
1.8	1140	1230	662	0.75	
T3' **	0.8	1610	955	516	0.57
	0.9	1565	985	529	0.59
	1.0	1510	1015	543	0.61
	1.1	1460	1040	557	0.62
	1.2	1415	1065	570	0.64
	1.3	1365	1095	586	0.66
	1.4	1315	1125	598	0.67
	1.5	1265	1155	614	0.69
	1.6	1215	1175	625	0.70
	1.7	1170	1200	637	0.72
1.8	1115	1225	650	0.73	
T4'	0.8	1750	980	589	0.65
	0.9	1705	1010	602	0.67
	1.0	1655	1035	616	0.69
	1.1	1610	1060	631	0.71
	1.2	1565	1085	645	0.72
	1.3	1510	1115	661	0.74
	1.4	1465	1145	675	0.76
	1.5	1410	1170	692	0.78
	1.6	1360	1195	705	0.80
	1.7	1320	1215	718	0.81
1.8	1265	1245	731	0.83	
T5'	0.8	1735	980	583	0.65
	0.9	1695	1005	597	0.66
	1.0	1645	1035	611	0.68
	1.1	1600	1060	626	0.70
	1.2	1555	1085	639	0.72
	1.3	1500	1115	656	0.74
	1.4	1455	1140	669	0.75
	1.5	1405	1170	686	0.77
	1.6	1350	1195	699	0.79
	1.7	1310	1215	712	0.80
1.8	1255	1245	726	0.82	

*VALUES ARE FOR FAN MODE ONLY
 **VALUES ARE FOR HEAT MODE ONLY

APPENDIX A BLOWER PERFORMANCE TABLES

DSG0363W / DSG0364W 80K ULN DOWNSHOT					
HIGH STATIC DRIVE					
TAP	EXTERNAL STATIC PRESSURE (ESP) in w.c	AIRFLOW (CFM)	RPM	WATTS	BHP
T1 *	0.8	1310	945	414	0.46
	0.9	1260	975	426	0.47
	1.0	1210	1010	439	0.49
	1.1	1155	1040	453	0.51
	1.2	1100	1075	465	0.52
	1.3	1055	1105	478	0.54
	1.4	1010	1130	489	0.55
	1.5	975	1160	499	0.56
	1.6	925	1175	505	0.57
	1.7	870	1215	521	0.59
T2	1.8	825	1235	531	0.60
	0.8	1355	955	432	0.48
	0.9	1305	985	444	0.50
	1.0	1255	1015	458	0.51
	1.1	1200	1050	471	0.53
	1.2	1150	1080	484	0.54
	1.3	1100	1110	497	0.56
	1.4	1055	1135	509	0.57
	1.5	1020	1165	520	0.59
	1.6	970	1180	527	0.60
T3 **	1.7	915	1220	543	0.62
	1.8	-	-	-	-
	0.8	1755	1030	640	0.72
	0.9	1715	1055	654	0.73
	1.0	1670	1085	669	0.75
	1.1	1630	1110	684	0.77
	1.2	1580	1135	699	0.79
	1.3	1535	1165	716	0.81
	1.4	1490	1190	731	0.83
	1.5	1435	1220	748	0.85
T4	1.6	1385	1245	763	0.87
	1.7	1350	1270	776	0.88
	1.8	1295	1295	791	0.90
	0.8	1485	975	491	0.55
	0.9	1440	1005	504	0.56
	1.0	1390	1035	518	0.58
	1.1	1340	1065	532	0.60
	1.2	1290	1095	546	0.62
	1.3	1240	1125	560	0.63
	1.4	1195	1155	573	0.65
T5	1.5	1150	1185	587	0.67
	1.6	1100	1205	597	0.68
	1.7	1050	1235	611	0.69
	1.8	1005	1260	623	0.71
	0.8	1880	1060	726	0.81
	0.9	1845	1085	741	0.83
	1.0	1800	1110	755	0.85
	1.1	1765	1135	771	0.87
	1.2	1720	1155	786	0.89
	1.3	1670	1185	803	0.91
T5	1.4	1630	1210	819	0.93
	1.5	1575	1240	837	0.95
	1.6	1525	1265	854	0.97
	1.7	1490	1285	867	0.98
	1.8	1440	1315	884	1.01

DSG0363W / DSG0364W 80K ULN DOWNSHOT					
HIGH STATIC DRIVE					
TAP	EXTERNAL STATIC PRESSURE (ESP) in w.c	AIRFLOW (CFM)	RPM	WATTS	BHP
T1' *	0.8	1550	985	521	0.58
	0.9	1500	1015	535	0.60
	1.0	1455	1045	549	0.62
	1.1	1405	1075	564	0.63
	1.2	1355	1105	577	0.65
	1.3	1305	1135	593	0.67
	1.4	1265	1160	606	0.68
	1.5	1215	1190	621	0.70
	1.6	1165	1215	632	0.72
	1.7	1120	1240	646	0.73
T2'	1.8	1070	1270	658	0.75
	0.8	-	-	-	-
	0.9	-	-	-	-
	1.0	1495	1050	570	0.64
	1.1	1450	1080	585	0.66
	1.2	1400	1110	599	0.68
	1.3	1350	1140	615	0.69
	1.4	1305	1165	628	0.71
	1.5	1255	1195	644	0.73
	1.6	1205	1220	656	0.74
T3' **	1.7	1160	1245	669	0.76
	1.8	1110	1275	682	0.78
	0.8	1950	1075	780	0.87
	0.9	1910	1100	795	0.89
	1.0	1875	1125	809	0.91
	1.1	1835	1145	824	0.93
	1.2	1795	1170	840	0.95
	1.3	1745	1195	857	0.97
	1.4	1705	1220	874	0.99
	1.5	1655	1250	892	1.01
T4'	1.6	1610	1275	909	1.03
	1.7	1575	1295	923	1.05
	1.8	1520	1325	941	1.07
	0.8	1705	1015	607	0.68
	0.9	1665	1045	621	0.70
	1.0	1615	1075	635	0.72
	1.1	1570	1100	651	0.73
	1.2	1525	1125	665	0.75
	1.3	1475	1155	681	0.77
	1.4	1430	1185	696	0.79
T5'	1.5	1375	1215	713	0.81
	1.6	1325	1240	727	0.83
	1.7	1290	1260	740	0.84
	1.8	1235	1290	754	0.86
	0.8	-	-	-	-
	0.9	-	-	-	-
	1.0	1995	1155	915	1.03
	1.1	1960	1175	930	1.05
	1.2	1920	1195	945	1.06
	1.3	1880	1220	962	1.09
T5'	1.4	1840	1240	979	1.10
	1.5	1800	1265	996	1.13
	1.6	1750	1290	1014	1.15
	1.7	1715	1315	1030	1.17
	1.8	1670	1340	1050	1.19

*VALUES ARE FOR FAN MODE ONLY
 **VALUES ARE FOR HEAT MODE ONLY

APPENDIX A BLOWER PERFORMANCE TABLES

DSG0363W / DSG0364W 80K ULN HORIZONTAL					
HIGH STATIC DRIVE					
TAP	EXTERNAL STATIC PRESSURE (ESP) in w.c	AIRFLOW (CFM)	RPM	WATTS	BHP
T1 *	0.8	1345	910	402	0.44
	0.9	1290	940	413	0.46
	1.0	1240	975	426	0.47
	1.1	1185	1005	439	0.49
	1.2	1130	1035	451	0.50
	1.3	1080	1065	464	0.52
	1.4	1035	1090	474	0.53
	1.5	1000	1120	484	0.54
	1.6	950	1135	490	0.55
	1.7	890	1170	505	0.57
1.8	845	1190	515	0.58	
T2	0.8	1390	920	419	0.46
	0.9	1340	950	431	0.48
	1.0	1285	980	444	0.49
	1.1	1230	1015	457	0.51
	1.2	1180	1040	469	0.52
	1.3	1130	1070	482	0.54
	1.4	1080	1095	494	0.55
	1.5	1045	1125	504	0.57
	1.6	995	1140	511	0.58
	1.7	940	1175	527	0.59
1.8	900	1200	535	0.61	
T3 **	0.8	1800	995	621	0.69
	0.9	1760	1020	634	0.71
	1.0	1710	1045	649	0.73
	1.1	1670	1070	663	0.74
	1.2	1620	1095	678	0.76
	1.3	1575	1125	695	0.78
	1.4	1525	1150	709	0.80
	1.5	1470	1175	726	0.82
	1.6	1420	1200	740	0.83
	1.7	1385	1225	753	0.85
1.8	1325	1250	767	0.87	
T4	0.8	-	-	-	-
	0.9	1475	970	489	0.54
	1.0	1425	1000	502	0.56
	1.1	1375	1030	516	0.58
	1.2	1320	1055	530	0.59
	1.3	1270	1085	543	0.61
	1.4	1225	1115	556	0.63
	1.5	1180	1145	569	0.64
	1.6	1130	1165	579	0.65
	1.7	1075	1190	593	0.67
1.8	1030	1215	604	0.68	
T5	0.8	1925	1025	704	0.79
	0.9	1890	1045	719	0.80
	1.0	1845	1070	732	0.82
	1.1	1810	1095	748	0.84
	1.2	1765	1115	762	0.85
	1.3	1710	1145	779	0.88
	1.4	1670	1170	794	0.90
	1.5	1615	1195	812	0.92
	1.6	1565	1220	828	0.93
	1.7	1525	1240	841	0.95
1.8	1475	1270	857	0.97	

DSG0363W / DSG0364W 80K ULN HORIZONTAL					
HIGH STATIC DRIVE					
TAP	EXTERNAL STATIC PRESSURE (ESP) in w.c	AIRFLOW (CFM)	RPM	WATTS	BHP
T1' *	0.8	1590	950	505	0.56
	0.9	1545	980	519	0.58
	1.0	1490	1010	533	0.60
	1.1	1440	1035	547	0.61
	1.2	1390	1065	560	0.63
	1.3	1340	1095	575	0.65
	1.4	1295	1120	588	0.66
	1.5	1245	1150	602	0.68
	1.6	1195	1170	613	0.69
	1.7	1150	1195	627	0.71
1.8	1095	1225	638	0.72	
T2'	0.8	-	-	-	-
	0.9	-	-	-	-
	1.0	-	-	-	-
	1.1	1485	1040	567	0.63
	1.2	1435	1070	581	0.65
	1.3	1385	1100	597	0.67
	1.4	1340	1125	609	0.69
	1.5	1285	1155	625	0.70
	1.6	1235	1175	636	0.72
	1.7	1190	1200	649	0.73
1.8	1140	1230	662	0.75	
T3' **	0.8	2000	1035	757	0.84
	0.9	1960	1060	771	0.86
	1.0	1920	1085	785	0.88
	1.1	1880	1105	799	0.89
	1.2	1840	1130	815	0.91
	1.3	1790	1155	831	0.93
	1.4	1750	1175	848	0.95
	1.5	1695	1205	865	0.98
	1.6	1650	1230	882	1.00
	1.7	1615	1250	895	1.01
1.8	1560	1280	913	1.04	
T4'	0.8	1750	980	589	0.65
	0.9	1705	1010	602	0.67
	1.0	1655	1035	616	0.69
	1.1	1610	1060	631	0.71
	1.2	1565	1085	645	0.72
	1.3	1510	1115	661	0.74
	1.4	1465	1145	675	0.76
	1.5	1410	1170	692	0.78
	1.6	1360	1195	705	0.80
	1.7	1320	1215	718	0.81
1.8	1265	1245	731	0.83	
T5'	0.8				
	0.9				
	1.0				
	1.1				
	1.2	1970	1155	917	1.03
	1.3	1925	1175	933	1.05
	1.4	1885	1195	950	1.06
	1.5	1845	1220	966	1.09
	1.6	1795	1245	984	1.11
	1.7	1760	1270	999	1.13
1.8	1710	1295	1019	1.15	

*VALUES ARE FOR FAN MODE ONLY
 **VALUES ARE FOR HEAT MODE ONLY

APPENDIX A BLOWER PERFORMANCE TABLES

DSG0363W / DSG0364W 100K ULN DOWNSHOT					
HIGH STATIC DRIVE					
TAP	EXTERNAL STATIC PRESSURE (ESP) in w.c	AIRFLOW (CFM)	RPM	WATTS	BHP
T1 *	0.8	740	870	227	0.24
	0.9	680	905	236	0.25
	1.0	625	940	245	0.26
	1.1	-	-	-	-
	1.2	-	-	-	-
	1.3	-	-	-	-
	1.4	-	-	-	-
	1.5	-	-	-	-
	1.6	-	-	-	-
	1.7	-	-	-	-
1.8	-	-	-	-	
T2	0.8	1355	955	432	0.48
	0.9	1305	985	444	0.50
	1.0	1255	1015	458	0.51
	1.1	1200	1050	471	0.53
	1.2	1150	1080	484	0.54
	1.3	1100	1110	497	0.56
	1.4	1055	1135	509	0.57
	1.5	1020	1165	520	0.59
	1.6	970	1180	527	0.60
	1.7	915	1220	543	0.62
1.8	-	-	-	-	
T3 **	0.8	1025	905	309	0.34
	0.9	970	935	320	0.35
	1.0	915	970	332	0.36
	1.1	855	1005	343	0.38
	1.2	800	1045	354	0.39
	1.3	755	1075	363	0.40
	1.4	715	1095	371	0.41
	1.5	700	1115	374	0.42
	1.6	650	1125	373	0.42
	1.7	-	-	-	-
1.8	-	-	-	-	
T4	0.8	1485	975	491	0.55
	0.9	1440	1005	504	0.56
	1.0	1390	1035	518	0.58
	1.1	1340	1065	532	0.60
	1.2	1290	1095	546	0.62
	1.3	1240	1125	560	0.63
	1.4	1195	1155	573	0.65
	1.5	1150	1185	587	0.67
	1.6	1100	1205	597	0.68
	1.7	1050	1235	611	0.69
1.8	1005	1260	623	0.71	
T5	0.8	1140	920	349	0.39
	0.9	1085	950	360	0.40
	1.0	1035	985	372	0.41
	1.1	975	1020	384	0.43
	1.2	920	1055	396	0.44
	1.3	875	1085	406	0.45
	1.4	835	1110	416	0.46
	1.5	810	1135	422	0.48
	1.6	760	1145	424	0.48
	1.7	695	1195	443	0.50
1.8	655	1215	450	0.51	

DSG0363W / DSG0364W 100K ULN DOWNSHOT					
HIGH STATIC DRIVE					
TAP	EXTERNAL STATIC PRESSURE (ESP) in w.c	AIRFLOW (CFM)	RPM	WATTS	BHP
T1' *	0.8	1090	915	331	0.37
	0.9	1035	945	342	0.38
	1.0	980	980	354	0.39
	1.1	920	1015	366	0.41
	1.2	870	1050	378	0.42
	1.3	825	1080	387	0.43
	1.4	780	1105	396	0.44
	1.5	760	1125	400	0.45
	1.6	710	1135	401	0.45
	1.7	640	1190	421	0.48
1.8	605	1210	427	0.48	
T2'	0.8	1590	995	542	0.61
	0.9	1545	1020	556	0.62
	1.0	1495	1050	570	0.64
	1.1	1450	1080	585	0.66
	1.2	1400	1110	599	0.68
	1.3	1350	1140	615	0.69
	1.4	1305	1165	628	0.71
	1.5	1255	1195	644	0.73
	1.6	1205	1220	656	0.74
	1.7	1160	1245	669	0.76
1.8	1110	1275	682	0.78	
T3' **	0.8	1260	940	394	0.44
	0.9	1210	970	406	0.45
	1.0	1160	1005	419	0.47
	1.1	1105	1035	432	0.48
	1.2	1050	1070	445	0.50
	1.3	1005	1100	456	0.51
	1.4	960	1125	467	0.52
	1.5	925	1150	476	0.54
	1.6	875	1165	481	0.54
	1.7	815	1210	498	0.56
1.8	775	1230	506	0.57	
T4'	0.8	1705	1015	607	0.68
	0.9	1665	1045	621	0.70
	1.0	1615	1075	635	0.72
	1.1	1570	1100	651	0.73
	1.2	1525	1125	665	0.75
	1.3	1475	1155	681	0.77
	1.4	1430	1185	696	0.79
	1.5	1375	1215	713	0.81
	1.6	1325	1240	727	0.83
	1.7	1290	1260	740	0.84
1.8	1235	1290	754	0.86	
T5'	0.8	1375	955	442	0.49
	0.9	1330	985	454	0.51
	1.0	1280	1020	468	0.52
	1.1	1225	1050	481	0.54
	1.2	1175	1080	494	0.56
	1.3	1125	1115	508	0.57
	1.4	1080	1140	520	0.59
	1.5	1040	1165	531	0.60
	1.6	990	1185	539	0.61
	1.7	935	1220	554	0.63
1.8	900	1245	564	0.64	

*VALUES ARE FOR FAN MODE ONLY
 **VALUES ARE FOR HEAT MODE ONLY

APPENDIX A BLOWER PERFORMANCE TABLES

DSG0363W / DSG0364W 100K ULN HORIZONTAL					
HIGH STATIC DRIVE					
TAP	EXTERNAL STATIC PRESSURE (ESP) in w.c	AIRFLOW (CFM)	RPM	WATTS	BHP
T1 *	0.8	760	840	220	0.23
	0.9	695	875	229	0.24
	1.0	640	905	238	0.25
	1.1	-	-	-	-
	1.2	-	-	-	-
	1.3	-	-	-	-
	1.4	-	-	-	-
	1.5	-	-	-	-
	1.6	-	-	-	-
	1.7	-	-	-	-
1.8	-	-	-	-	
T2	0.8	1390	920	419	0.46
	0.9	1340	950	431	0.48
	1.0	1285	980	444	0.49
	1.1	1230	1015	457	0.51
	1.2	1180	1040	469	0.52
	1.3	1130	1070	482	0.54
	1.4	1080	1095	494	0.55
	1.5	1045	1125	504	0.57
	1.6	995	1140	511	0.58
	1.7	940	1175	527	0.59
1.8	900	1200	535	0.61	
T3 **	0.8	1050	875	300	0.33
	0.9	995	900	310	0.34
	1.0	940	935	322	0.35
	1.1	875	970	333	0.36
	1.2	820	1010	343	0.38
	1.3	775	1035	352	0.39
	1.4	735	1055	360	0.40
	1.5	715	1075	363	0.40
	1.6	665	1085	362	0.41
	1.7	-	-	-	-
1.8	-	-	-	-	
T4	0.8	1500	940	476	0.53
	0.9	1475	970	489	0.54
	1.0	1425	1000	502	0.56
	1.1	1375	1030	516	0.58
	1.2	1320	1055	530	0.59
	1.3	1270	1085	543	0.61
	1.4	1225	1115	556	0.63
	1.5	1180	1145	569	0.64
	1.6	1130	1165	579	0.65
	1.7	1075	1190	593	0.67
1.8	1030	1215	604	0.68	
T5	0.8	1170	890	339	0.37
	0.9	1110	915	349	0.38
	1.0	1060	950	361	0.40
	1.1	1000	985	372	0.41
	1.2	945	1020	384	0.43
	1.3	895	1045	394	0.44
	1.4	855	1070	404	0.45
	1.5	830	1095	409	0.46
	1.6	780	1105	411	0.46
	1.7	710	1155	430	0.48
1.8	670	1170	437	0.49	

DSG0363W / DSG0364W 100K ULN HORIZONTAL					
HIGH STATIC DRIVE					
TAP	EXTERNAL STATIC PRESSURE (ESP) in w.c	AIRFLOW (CFM)	RPM	WATTS	BHP
T1' *	0.8	1115	885	321	0.35
	0.9	1060	910	332	0.36
	1.0	1005	945	343	0.38
	1.1	945	980	355	0.39
	1.2	890	1015	367	0.41
	1.3	845	1040	375	0.42
	1.4	800	1065	384	0.43
	1.5	780	1085	388	0.43
	1.6	730	1095	389	0.44
	1.7	655	1150	408	0.46
1.8	620	1170	414	0.47	
T2'	0.8	-	-	-	-
	0.9	-	-	-	-
	1.0	-	-	-	-
	1.1	1485	1040	567	0.63
	1.2	1435	1070	581	0.65
	1.3	1385	1100	597	0.67
	1.4	1340	1125	609	0.69
	1.5	1285	1155	625	0.70
	1.6	1235	1175	636	0.72
	1.7	1190	1200	649	0.73
1.8	1140	1230	662	0.75	
T3' **	0.8	1290	905	382	0.42
	0.9	1240	935	394	0.44
	1.0	1190	970	406	0.45
	1.1	1135	1000	419	0.47
	1.2	1075	1035	432	0.48
	1.3	1030	1060	442	0.49
	1.4	985	1085	453	0.51
	1.5	950	1110	462	0.52
	1.6	900	1125	467	0.52
	1.7	-	-	-	-
1.8	-	-	-	-	
T4'	0.8	1750	980	589	0.65
	0.9	1705	1010	602	0.67
	1.0	1655	1035	616	0.69
	1.1	1610	1060	631	0.71
	1.2	1565	1085	645	0.72
	1.3	1510	1115	661	0.74
	1.4	1465	1145	675	0.76
	1.5	1410	1170	692	0.78
	1.6	1360	1195	705	0.80
	1.7	1320	1215	718	0.81
1.8	1265	1245	731	0.83	
T5'	0.8	1410	920	429	0.47
	0.9	1365	950	440	0.49
	1.0	1310	985	454	0.51
	1.1	1255	1015	467	0.52
	1.2	1205	1040	479	0.53
	1.3	1155	1075	493	0.55
	1.4	1105	1100	504	0.57
	1.5	1065	1125	515	0.58
	1.6	1015	1145	523	0.59
	1.7	960	1175	537	0.60
1.8	910	1200	547	0.62	

*VALUES ARE FOR FAN MODE ONLY
 **VALUES ARE FOR HEAT MODE ONLY

APPENDIX A BLOWER PERFORMANCE TABLES

DSG0481D 90K DOWNSHOT					
STANDARD STATIC DRIVE					
TAP	EXTERNAL STATIC PRESSURE (ESP) in w.c	AIRFLOW (CFM)	RPM	WATTS	BHP
T1 *	0.1	1245	630	194	0.20
	0.2	1190	670	202	0.21
	0.3	1135	705	213	0.22
	0.4	1100	750	223	0.24
	0.5	1025	790	234	0.25
	0.6	945	825	244	0.26
	0.7	865	865	253	0.27
	0.8	795	900	263	0.28
T2	0.1	1725	800	415	0.45
	0.2	1675	830	426	0.47
	0.3	1630	855	440	0.48
	0.4	1585	885	457	0.5
	0.5	1540	915	469	0.52
	0.6	1495	945	484	0.53
	0.7	1450	975	495	0.55
	0.8	1405	1005	512	0.57
T3 **	0.1	1550	740	322	0.35
	0.2	1500	770	332	0.36
	0.3	1450	800	345	0.37
	0.4	1410	835	359	0.39
	0.5	1355	865	370	0.40
	0.6	1295	900	383	0.42
	0.7	1240	930	394	0.43
	0.8	1185	965	409	0.45
T4	0.1	1830	840	479	0.53
	0.2	1780	865	492	0.54
	0.3	1735	895	506	0.56
	0.4	1695	920	524	0.58
	0.5	1655	945	536	0.59
	0.6	1610	975	551	0.61
	0.7	1570	1005	564	0.63
	0.8	1525	1035	581	0.65
T5	0.1	1895	865	524	0.58
	0.2	1850	890	538	0.60
	0.3	1805	915	553	0.61
	0.4	1760	940	570	0.63
	0.5	1725	970	584	0.65
	0.6	1685	995	599	0.67
	0.7	1645	1020	612	0.68
	0.8	1605	1050	629	0.70

DSG0481D 90K HORIZONTAL					
STANDARD STATIC DRIVE					
TAP	EXTERNAL STATIC PRESSURE (ESP) in w.c	AIRFLOW (CFM)	RPM	WATTS	BHP
T1 *	0.1	1300	600	184	0.19
	0.2	1245	635	192	0.20
	0.3	1185	670	202	0.21
	0.4	1150	715	212	0.22
	0.5	1070	750	222	0.24
	0.6	990	785	232	0.25
	0.7	905	820	240	0.26
	0.8	830	855	250	0.27
T2	0.1	1800	760	394	0.43
	0.2	1750	790	405	0.45
	0.3	1705	810	418	0.46
	0.4	1655	840	433	0.48
	0.5	1610	870	445	0.49
	0.6	1565	900	459	0.51
	0.7	1515	925	469	0.52
	0.8	1470	955	487	0.54
T3 **	0.1	1620	705	306	0.33
	0.2	1570	730	315	0.34
	0.3	1515	760	328	0.35
	0.4	1475	795	341	0.37
	0.5	1415	820	352	0.38
	0.6	1355	855	364	0.40
	0.7	1295	885	374	0.41
	0.8	1240	915	389	0.43
T4	0.1	1910	800	455	0.50
	0.2	1860	820	467	0.52
	0.3	1815	850	481	0.53
	0.4	1770	875	498	0.55
	0.5	1730	900	509	0.57
	0.6	1680	925	523	0.58
	0.7	1640	955	536	0.60
	0.8	1595	985	552	0.62
T5	0.1	1980	820	498	0.55
	0.2	1935	845	511	0.57
	0.3	1885	870	525	0.58
	0.4	1840	895	542	0.60
	0.5	1805	920	555	0.62
	0.6	1760	945	569	0.63
	0.7	1720	970	581	0.65
	0.8	1675	1000	598	0.67

*VALUES ARE FOR FAN MODE ONLY
 **VALUES ARE FOR HEAT MODE ONLY

APPENDIX A BLOWER PERFORMANCE TABLES

DSG0481D 115K DOWNSHOT					
STANDARD STATIC DRIVE					
TAP	EXTERNAL STATIC PRESSURE (ESP) in w.c	AIRFLOW (CFM)	RPM	WATTS	BHP
T1 *	0.1	1530	730	313	0.33
	0.2	1480	765	323	0.35
	0.3	1430	795	336	0.36
	0.4	1390	830	350	0.38
	0.5	1335	860	361	0.39
	0.6	1275	895	374	0.41
	0.7	1220	930	384	0.42
	0.8	1165	960	399	0.44
T2	0.1	1725	800	416	0.45
	0.2	1675	830	427	0.47
	0.3	1630	855	441	0.48
	0.4	1585	885	457	0.5
	0.5	1540	915	469	0.52
	0.6	1495	945	484	0.54
	0.7	1445	975	495	0.55
	0.8	1400	1005	512	0.57
T3 **	0.1	1885	860	519	0.57
	0.2	1840	885	533	0.59
	0.3	1795	915	547	0.61
	0.4	1755	940	565	0.63
	0.5	1715	965	578	0.64
	0.6	1675	995	594	0.66
	0.7	1635	1020	607	0.68
	0.8	1595	1050	624	0.70
T4	0.1	1830	840	479	0.53
	0.2	1780	865	492	0.54
	0.3	1735	895	506	0.56
	0.4	1695	920	524	0.58
	0.5	1655	945	536	0.59
	0.6	1610	975	551	0.61
	0.7	1570	1005	564	0.63
	0.8	1525	1035	581	0.65
T5	0.1	1895	865	524	0.58
	0.2	1850	890	538	0.60
	0.3	1805	915	553	0.61
	0.4	1760	940	570	0.63
	0.5	1725	970	584	0.65
	0.6	1685	995	599	0.67
	0.7	1645	1020	612	0.68
	0.8	1605	1050	629	0.70

DSG0481D 115K HORIZONTAL					
STANDARD STATIC DRIVE					
TAP	EXTERNAL STATIC PRESSURE (ESP) in w.c	AIRFLOW (CFM)	RPM	WATTS	BHP
T1 *	0.1	1600	695	297	0.32
	0.2	1545	725	307	0.33
	0.3	1495	755	319	0.35
	0.4	1455	790	333	0.36
	0.5	1395	815	343	0.37
	0.6	1330	850	355	0.39
	0.7	1275	885	365	0.40
	0.8	1215	910	379	0.42
T2	0.1	1800	760	394	0.43
	0.2	1750	790	406	0.45
	0.3	1705	810	419	0.46
	0.4	1655	840	434	0.48
	0.5	1610	870	446	0.49
	0.6	1560	900	460	0.51
	0.7	1510	925	470	0.52
	0.8	1465	955	487	0.54
T3 **	0.1	1970	815	493	0.54
	0.2	1925	840	506	0.56
	0.3	1875	870	520	0.58
	0.4	1835	895	537	0.60
	0.5	1790	915	549	0.61
	0.6	1750	945	564	0.63
	0.7	1710	970	577	0.65
	0.8	1665	1000	593	0.67
T4	0.1	1910	800	455	0.50
	0.2	1860	820	467	0.52
	0.3	1815	850	481	0.53
	0.4	1770	875	498	0.55
	0.5	1730	900	509	0.57
	0.6	1680	925	523	0.58
	0.7	1640	955	536	0.60
	0.8	1595	985	552	0.62
T5	0.1	1980	820	498	0.55
	0.2	1935	845	511	0.57
	0.3	1885	870	525	0.58
	0.4	1840	895	542	0.60
	0.5	1805	920	555	0.62
	0.6	1760	945	569	0.63
	0.7	1720	970	581	0.65
	0.8	1675	1000	598	0.67

*VALUES ARE FOR FAN MODE ONLY

**VALUES ARE FOR HEAT MODE ONLY

APPENDIX A BLOWER PERFORMANCE TABLES

DSG0483D 70K DOWNSHOT					
STANDARD STATIC DRIVE					
TAP	EXTERNAL STATIC PRESSURE (ESP) in w.c	AIRFLOW (CFM)	RPM	WATTS	BHP
T1 *	0.1	920	525	92	0.09
	0.2	860	565	98	0.10
	0.3	800	610	107	0.10
	0.4	770	660	112	0.11
	0.5	670	710	123	0.12
	0.6	-	-	-	-
	0.7	-	-	-	-
	0.8	-	-	-	-
T2	0.1	1725	800	416	0.45
	0.2	1675	830	427	0.47
	0.3	1630	855	441	0.48
	0.4	1585	885	457	0.5
	0.5	1540	915	469	0.52
	0.6	1495	945	484	0.54
	0.7	1445	975	495	0.55
	0.8	1400	1005	512	0.57
T3 **	0.1	1070	570	134	0.13
	0.2	1010	615	142	0.14
	0.3	950	655	152	0.15
	0.4	920	700	159	0.16
	0.5	830	745	170	0.17
	0.6	735	785	178	0.18
	0.7	645	825	186	0.19
	0.8	-	-	-	-
T4	0.1	1830	840	479	0.53
	0.2	1780	865	492	0.54
	0.3	1735	895	506	0.56
	0.4	1695	920	524	0.58
	0.5	1655	945	536	0.59
	0.6	1610	975	551	0.61
	0.7	1570	1005	564	0.63
	0.8	1525	1035	581	0.65
T5	0.1	1895	865	524	0.58
	0.2	1850	890	538	0.60
	0.3	1805	915	553	0.61
	0.4	1760	940	570	0.63
	0.5	1725	970	584	0.65
	0.6	1685	995	599	0.67
	0.7	1645	1020	612	0.68
	0.8	1605	1050	629	0.70

DSG0483D 70K HORIZONTAL					
STANDARD STATIC DRIVE					
TAP	EXTERNAL STATIC PRESSURE (ESP) in w.c	AIRFLOW (CFM)	RPM	WATTS	BHP
T1 *	0.1	960	500	87	0.09
	0.2	900	535	93	0.09
	0.3	835	580	102	0.10
	0.4	805	625	106	0.11
	0.5	700	675	117	0.12
	0.6	-	-	-	-
	0.7	-	-	-	-
	0.8	-	-	-	-
T2	0.1	1800	760	394	0.43
	0.2	1750	790	405	0.45
	0.3	1705	810	419	0.46
	0.4	1655	840	434	0.48
	0.5	1610	870	446	0.49
	0.6	1560	900	460	0.51
	0.7	1510	925	470	0.52
	0.8	1465	955	487	0.54
T3 **	0.1	1120	540	127	0.13
	0.2	1055	585	135	0.14
	0.3	995	620	144	0.15
	0.4	960	665	151	0.16
	0.5	865	710	162	0.17
	0.6	770	745	169	0.17
	0.7	675	785	177	0.18
	0.8	-	-	-	-
T4	0.1	1910	800	455	0.50
	0.2	1860	820	467	0.52
	0.3	1815	850	481	0.53
	0.4	1770	875	498	0.55
	0.5	1730	900	509	0.57
	0.6	1680	925	523	0.58
	0.7	1640	955	536	0.60
	0.8	1595	985	552	0.62
T5	0.1	1980	820	498	0.55
	0.2	1935	845	511	0.57
	0.3	1885	870	525	0.58
	0.4	1840	895	542	0.60
	0.5	1805	920	555	0.62
	0.6	1760	945	569	0.63
	0.7	1720	970	581	0.65
	0.8	1675	1000	598	0.67

*VALUES ARE FOR FAN MODE ONLY
 **VALUES ARE FOR HEAT MODE ONLY

APPENDIX A BLOWER PERFORMANCE TABLES

DSG0483D 90K DOWNSHOT					
STANDARD STATIC DRIVE					
TAP	EXTERNAL STATIC PRESSURE (ESP) in w.c	AIRFLOW (CFM)	RPM	WATTS	BHP
T1 *	0.1	1245	630	194	0.20
	0.2	1190	670	202	0.21
	0.3	1135	705	213	0.22
	0.4	1100	750	223	0.24
	0.5	1025	790	234	0.25
	0.6	945	825	244	0.26
	0.7	865	865	253	0.27
	0.8	795	900	263	0.28
T2	0.1	1725	800	415	0.45
	0.2	1675	830	426	0.47
	0.3	1630	855	440	0.48
	0.4	1585	885	457	0.5
	0.5	1540	915	469	0.52
	0.6	1495	945	484	0.53
	0.7	1450	975	495	0.55
	0.8	1405	1005	512	0.57
T3 **	0.1	1550	740	322	0.35
	0.2	1500	770	332	0.36
	0.3	1450	800	345	0.37
	0.4	1410	835	359	0.39
	0.5	1355	865	370	0.40
	0.6	1295	900	383	0.42
	0.7	1240	930	394	0.43
	0.8	1200	965	409	0.45
T4	0.1	1830	840	479	0.53
	0.2	1780	865	492	0.54
	0.3	1735	895	506	0.56
	0.4	1695	920	524	0.58
	0.5	1655	945	536	0.59
	0.6	1610	975	551	0.61
	0.7	1570	1005	564	0.63
	0.8	1525	1035	581	0.65
T5	0.1	1895	865	524	0.58
	0.2	1850	890	538	0.60
	0.3	1805	915	553	0.61
	0.4	1760	940	570	0.63
	0.5	1725	970	584	0.65
	0.6	1685	995	599	0.67
	0.7	1645	1020	612	0.68
	0.8	1605	1050	629	0.70

DSG0483D 90K HORIZONTAL					
STANDARD STATIC DRIVE					
TAP	EXTERNAL STATIC PRESSURE (ESP) in w.c	AIRFLOW (CFM)	RPM	WATTS	BHP
T1 *	0.1	1300	600	184	0.19
	0.2	1245	635	192	0.20
	0.3	1185	670	202	0.21
	0.4	1150	715	212	0.22
	0.5	1070	750	222	0.24
	0.6	990	785	232	0.25
	0.7	905	820	240	0.26
	0.8	830	855	250	0.27
T2	0.1	1800	760	394	0.43
	0.2	1750	790	405	0.45
	0.3	1705	810	418	0.46
	0.4	1655	840	433	0.48
	0.5	1610	870	445	0.49
	0.6	1565	900	459	0.51
	0.7	1515	925	469	0.52
	0.8	1470	955	487	0.54
T3 **	0.1	1620	705	306	0.33
	0.2	1570	730	315	0.34
	0.3	1515	760	328	0.35
	0.4	1475	795	341	0.37
	0.5	1415	820	352	0.38
	0.6	1355	855	364	0.40
	0.7	1295	885	374	0.41
	0.8	1240	915	389	0.43
T4	0.1	1910	800	455	0.50
	0.2	1860	820	467	0.52
	0.3	1815	850	481	0.53
	0.4	1770	875	498	0.55
	0.5	1730	900	509	0.57
	0.6	1680	925	523	0.58
	0.7	1640	955	536	0.60
	0.8	1595	985	552	0.62
T5	0.1	1980	820	498	0.55
	0.2	1935	845	511	0.57
	0.3	1885	870	525	0.58
	0.4	1840	895	542	0.60
	0.5	1805	920	555	0.62
	0.6	1760	945	569	0.63
	0.7	1720	970	581	0.65
	0.8	1675	1000	598	0.67

*VALUES ARE FOR FAN MODE ONLY
 **VALUES ARE FOR HEAT MODE ONLY

APPENDIX A BLOWER PERFORMANCE TABLES

DSG0483D 115K DOWNSHOT					
STANDARD STATIC DRIVE					
TAP	EXTERNAL STATIC PRESSURE (ESP) in w.c	AIRFLOW (CFM)	RPM	WATTS	BHP
T1 *	0.1	1530	730	313	0.33
	0.2	1480	765	323	0.35
	0.3	1430	795	336	0.36
	0.4	1390	830	350	0.38
	0.5	1335	860	361	0.39
	0.6	1275	895	374	0.41
	0.7	1220	930	384	0.42
	0.8	1165	960	399	0.44
T2	0.1	1725	800	416	0.45
	0.2	1675	830	427	0.47
	0.3	1630	855	441	0.48
	0.4	1585	885	457	0.5
	0.5	1540	915	469	0.52
	0.6	1495	945	484	0.54
	0.7	1445	975	495	0.55
	0.8	1400	1005	512	0.57
T3 **	0.1	1885	860	519	0.57
	0.2	1840	885	533	0.59
	0.3	1795	915	547	0.61
	0.4	1755	940	565	0.63
	0.5	1715	965	578	0.64
	0.6	1675	995	594	0.66
	0.7	1635	1020	607	0.68
	0.8	1595	1050	624	0.70
T4	0.1	1830	840	479	0.53
	0.2	1780	865	492	0.54
	0.3	1735	895	506	0.56
	0.4	1695	920	524	0.58
	0.5	1655	945	536	0.59
	0.6	1610	975	551	0.61
	0.7	1570	1005	564	0.63
	0.8	1525	1035	581	0.65
T5	0.1	1895	865	524	0.58
	0.2	1850	890	538	0.60
	0.3	1805	915	553	0.61
	0.4	1760	940	570	0.63
	0.5	1725	970	584	0.65
	0.6	1685	995	599	0.67
	0.7	1645	1020	612	0.68
	0.8	1605	1050	629	0.70

DSG0483D 115K HORIZONTAL					
STANDARD STATIC DRIVE					
TAP	EXTERNAL STATIC PRESSURE (ESP) in w.c	AIRFLOW (CFM)	RPM	WATTS	BHP
T1 *	0.1	1600	695	297	0.32
	0.2	1545	725	307	0.33
	0.3	1495	755	319	0.35
	0.4	1455	790	333	0.36
	0.5	1395	815	343	0.37
	0.6	1330	850	355	0.39
	0.7	1275	885	365	0.40
	0.8	1215	910	379	0.42
T2	0.1	1800	760	394	0.43
	0.2	1750	790	406	0.45
	0.3	1705	810	419	0.46
	0.4	1655	840	434	0.48
	0.5	1610	870	446	0.49
	0.6	1560	900	460	0.51
	0.7	1510	925	470	0.52
	0.8	1465	955	487	0.54
T3 **	0.1	1970	815	493	0.54
	0.2	1925	840	506	0.56
	0.3	1875	870	520	0.58
	0.4	1835	895	537	0.60
	0.5	1790	915	549	0.61
	0.6	1750	945	564	0.63
	0.7	1710	970	577	0.65
	0.8	1665	1000	593	0.67
T4	0.1	1910	800	455	0.50
	0.2	1860	820	467	0.52
	0.3	1815	850	481	0.53
	0.4	1770	875	498	0.55
	0.5	1730	900	509	0.57
	0.6	1680	925	523	0.58
	0.7	1640	955	536	0.60
	0.8	1595	985	552	0.62
T5	0.1	1980	820	498	0.55
	0.2	1935	845	511	0.57
	0.3	1885	870	525	0.58
	0.4	1840	895	542	0.60
	0.5	1805	920	555	0.62
	0.6	1760	945	569	0.63
	0.7	1720	970	581	0.65
	0.8	1675	1000	598	0.67

*VALUES ARE FOR FAN MODE ONLY
 **VALUES ARE FOR HEAT MODE ONLY

APPENDIX A BLOWER PERFORMANCE TABLES

DSG0484D 70K DOWNSHOT					
STANDARD STATIC DRIVE					
TAP	EXTERNAL STATIC PRESSURE (ESP) in w.c	AIRFLOW (CFM)	RPM	WATTS	BHP
T1 *	0.1	1010	570	120	0.12
	0.2	960	595	128	0.13
	0.3	885	640	136	0.14
	0.4	835	690	140	0.15
	0.5	775	725	157	0.16
	0.6	720	770	164	0.17
	0.7	640	825	177	0.18
	0.8	575	850	184	0.19
T2	0.1	1740	805	415	0.46
	0.2	1710	830	426	0.47
	0.3	1645	860	441	0.49
	0.4	1610	890	452	0.5
	0.5	1580	910	462	0.51
	0.6	1530	940	479	0.53
	0.7	1485	975	491	0.55
	0.8	1435	1000	502	0.57
T3 **	0.1	1210	635	183	0.19
	0.2	1170	660	193	0.20
	0.3	1090	700	202	0.21
	0.4	1045	745	207	0.23
	0.5	995	775	223	0.24
	0.6	940	815	232	0.25
	0.7	875	865	245	0.26
	0.8	810	890	253	0.27
T4	0.1	1815	835	461	0.51
	0.2	1790	860	472	0.52
	0.3	1725	885	488	0.54
	0.4	1690	915	500	0.56
	0.5	1660	935	510	0.57
	0.6	1610	965	527	0.59
	0.7	1570	995	539	0.61
	0.8	1525	1020	551	0.62
T5	0.1	1880	855	502	0.55
	0.2	1855	880	513	0.57
	0.3	1795	905	529	0.59
	0.4	1755	935	542	0.61
	0.5	1730	955	552	0.62
	0.6	1680	985	570	0.64
	0.7	1640	1010	582	0.65
	0.8	1600	1035	594	0.67

DSG0484D 70K HORIZONTAL					
STANDARD STATIC DRIVE					
TAP	EXTERNAL STATIC PRESSURE (ESP) in w.c	AIRFLOW (CFM)	RPM	WATTS	BHP
T1 *	0.1	1040	540	114	0.12
	0.2	990	565	122	0.12
	0.3	910	610	129	0.13
	0.4	860	655	133	0.14
	0.5	800	690	149	0.15
	0.6	740	730	156	0.16
	0.7	660	785	168	0.17
	0.8	590	810	175	0.18
T2	0.1	1790	765	394	0.43
	0.2	1765	790	405	0.45
	0.3	1695	815	419	0.46
	0.4	1660	845	430	0.48
	0.5	1625	865	439	0.49
	0.6	1575	895	455	0.51
	0.7	1530	925	467	0.52
	0.8	1480	950	477	0.54
T3 **	0.1	1245	605	174	0.18
	0.2	1205	625	183	0.19
	0.3	1125	665	192	0.20
	0.4	1075	710	197	0.22
	0.5	1025	735	212	0.22
	0.6	970	775	220	0.24
	0.7	900	820	233	0.25
	0.8	835	845	240	0.26
T4	0.1	1870	795	438	0.48
	0.2	1845	815	448	0.50
	0.3	1775	840	464	0.51
	0.4	1740	870	475	0.53
	0.5	1710	890	485	0.54
	0.6	1660	915	501	0.56
	0.7	1615	945	512	0.58
	0.8	1570	970	523	0.59
T5	0.1	1935	810	477	0.52
	0.2	1910	835	487	0.54
	0.3	1850	860	503	0.56
	0.4	1810	890	515	0.58
	0.5	1780	905	524	0.59
	0.6	1730	935	542	0.61
	0.7	1690	960	553	0.62
	0.8	1650	985	564	0.64

*VALUES ARE FOR FAN MODE ONLY
 **VALUES ARE FOR HEAT MODE ONLY

APPENDIX A BLOWER PERFORMANCE TABLES

DSG0484D 90K DOWNSHOT					
STANDARD STATIC DRIVE					
TAP	EXTERNAL STATIC PRESSURE (ESP) in w.c	AIRFLOW (CFM)	RPM	WATTS	BHP
T1 *	0.1	1230	640	191	0.20
	0.2	1190	665	200	0.21
	0.3	1115	705	210	0.22
	0.4	1070	750	215	0.24
	0.5	1020	780	231	0.25
	0.6	965	820	240	0.26
	0.7	900	870	253	0.27
	0.8	835	895	261	0.28
T2	0.1	1740	805	415	0.46
	0.2	1710	830	426	0.47
	0.3	1640	860	442	0.49
	0.4	1605	890	453	0.5
	0.5	1575	910	463	0.52
	0.6	1530	940	480	0.53
	0.7	1485	975	492	0.55
	0.8	1435	1000	503	0.57
T3 **	0.1	1545	745	316	0.34
	0.2	1510	770	327	0.36
	0.3	1440	800	339	0.37
	0.4	1400	835	348	0.39
	0.5	1365	860	360	0.40
	0.6	1310	895	374	0.41
	0.7	1255	930	386	0.43
	0.8	1205	955	397	0.44
T4	0.1	1815	835	461	0.51
	0.2	1790	860	472	0.52
	0.3	1725	885	488	0.54
	0.4	1690	915	500	0.56
	0.5	1660	935	510	0.57
	0.6	1610	965	527	0.59
	0.7	1570	995	539	0.61
	0.8	1525	1020	551	0.62
T5	0.1	1880	855	502	0.55
	0.2	1855	880	513	0.57
	0.3	1795	905	529	0.59
	0.4	1755	935	542	0.61
	0.5	1730	955	552	0.62
	0.6	1680	985	570	0.64
	0.7	1640	1010	582	0.65
	0.8	1600	1035	594	0.67

DSG0484D 90K HORIZONTAL					
STANDARD STATIC DRIVE					
TAP	EXTERNAL STATIC PRESSURE (ESP) in w.c	AIRFLOW (CFM)	RPM	WATTS	BHP
T1 *	0.1	1265	610	181	0.19
	0.2	1225	630	190	0.20
	0.3	1150	670	200	0.21
	0.4	1100	715	204	0.22
	0.5	1050	740	219	0.23
	0.6	995	780	228	0.25
	0.7	925	825	240	0.26
	0.8	860	850	248	0.27
T2	0.1	1790	765	394	0.43
	0.2	1760	790	405	0.45
	0.3	1690	815	419	0.46
	0.4	1660	845	430	0.48
	0.5	1625	865	439	0.49
	0.6	1575	895	455	0.51
	0.7	1530	925	467	0.52
	0.8	1480	950	477	0.54
T3 **	0.1	1590	710	300	0.33
	0.2	1555	730	311	0.34
	0.3	1485	760	322	0.35
	0.4	1440	795	331	0.37
	0.5	1405	815	342	0.38
	0.6	1350	850	355	0.39
	0.7	1295	885	367	0.41
	0.8	1240	905	377	0.42
T4	0.1	1870	795	438	0.48
	0.2	1845	815	448	0.50
	0.3	1775	840	464	0.51
	0.4	1740	870	475	0.53
	0.5	1710	890	485	0.54
	0.6	1660	915	501	0.56
	0.7	1615	945	512	0.58
	0.8	1570	970	523	0.59
T5	0.1	1935	810	477	0.52
	0.2	1910	835	487	0.54
	0.3	1850	860	503	0.56
	0.4	1810	890	515	0.58
	0.5	1780	905	524	0.59
	0.6	1730	935	542	0.61
	0.7	1690	960	553	0.62
	0.8	1650	985	564	0.64

*VALUES ARE FOR FAN MODE ONLY
 **VALUES ARE FOR HEAT MODE ONLY

APPENDIX A BLOWER PERFORMANCE TABLES

DSG0484D / DSG0487D 115K DOWNSHOT					
STANDARD STATIC DRIVE					
TAP	EXTERNAL STATIC PRESSURE (ESP) in w.c	AIRFLOW (CFM)	RPM	WATTS	BHP
T1 *	0.1	1495	730	295	0.32
	0.2	1460	750	305	0.33
	0.3	1390	785	317	0.34
	0.4	1350	820	326	0.36
	0.5	1310	845	338	0.37
	0.6	1260	880	351	0.39
	0.7	1200	920	363	0.40
	0.8	1150	945	373	0.41
T2	0.1	1740	805	416	0.46
	0.2	1710	830	427	0.47
	0.3	1640	860	442	0.49
	0.4	1605	890	453	0.5
	0.5	1575	910	463	0.52
	0.6	1525	940	480	0.53
	0.7	1480	975	492	0.55
	0.8	1430	1000	503	0.57
T3 **	0.1	1865	850	491	0.54
	0.2	1840	875	503	0.56
	0.3	1775	900	519	0.57
	0.4	1740	930	531	0.59
	0.5	1715	950	541	0.61
	0.6	1665	980	559	0.63
	0.7	1625	1005	571	0.64
	0.8	1580	1030	583	0.66
T4	0.1	1815	835	461	0.51
	0.2	1790	860	472	0.52
	0.3	1725	885	488	0.54
	0.4	1690	915	500	0.56
	0.5	1660	935	510	0.57
	0.6	1610	965	527	0.59
	0.7	1570	995	539	0.61
	0.8	1525	1020	551	0.62
T5	0.1	1880	855	502	0.55
	0.2	1855	880	513	0.57
	0.3	1795	905	529	0.59
	0.4	1755	935	542	0.61
	0.5	1730	955	552	0.62
	0.6	1680	985	570	0.64
	0.7	1640	1010	582	0.65
	0.8	1600	1035	594	0.67

DSG0484D / DSG0487D 115K HORIZONTAL					
STANDARD STATIC DRIVE					
TAP	EXTERNAL STATIC PRESSURE (ESP) in w.c	AIRFLOW (CFM)	RPM	WATTS	BHP
T1 *	0.1	1540	695	280	0.30
	0.2	1505	715	290	0.31
	0.3	1430	745	301	0.33
	0.4	1390	780	310	0.34
	0.5	1350	805	321	0.35
	0.6	1300	835	333	0.37
	0.7	1235	875	345	0.38
	0.8	1200	900	354	0.39
T2	0.1	1790	765	395	0.43
	0.2	1760	790	406	0.45
	0.3	1690	815	420	0.46
	0.4	1655	845	431	0.48
	0.5	1620	865	440	0.49
	0.6	1570	895	456	0.51
	0.7	1525	925	468	0.52
	0.8	1475	950	478	0.54
T3 **	0.1	1920	810	466	0.52
	0.2	1895	830	478	0.53
	0.3	1830	855	493	0.55
	0.4	1790	885	504	0.56
	0.5	1765	905	514	0.58
	0.6	1715	930	531	0.59
	0.7	1675	955	542	0.61
	0.8	1625	980	554	0.63
T4	0.1	1870	795	438	0.48
	0.2	1845	815	448	0.50
	0.3	1775	840	464	0.51
	0.4	1740	870	475	0.53
	0.5	1710	890	485	0.54
	0.6	1660	915	501	0.56
	0.7	1615	945	512	0.58
	0.8	1570	970	523	0.59
T5	0.1	1935	810	477	0.52
	0.2	1910	835	487	0.54
	0.3	1850	860	503	0.56
	0.4	1810	890	515	0.58
	0.5	1780	905	524	0.59
	0.6	1730	935	542	0.61
	0.7	1690	960	553	0.62
	0.8	1650	985	564	0.64

*VALUES ARE FOR FAN MODE ONLY
 **VALUES ARE FOR HEAT MODE ONLY

APPENDIX A BLOWER PERFORMANCE TABLES

DSG0483W / DSG0484W 70K DOWNSHOT					
HIGH STATIC DRIVE					
TAP	EXTERNAL STATIC PRESSURE (ESP) in w.c	AIRFLOW (CFM)	RPM	WATTS	BHP
T1 *	0.8	810	890	253	0.27
	0.9	740	925	262	0.28
	1.0	625	965	271	0.29
	1.1	740	985	278	0.30
	1.2	700	1030	287	0.31
	1.3	715	1060	293	0.32
	1.4	650	1080	302	0.33
	1.5	-	-	-	-
	1.6	-	-	-	-
	1.7	-	-	-	-
1.8	-	-	-	-	
T2	0.8	1770	1070	706	0.79
	0.9	1730	1100	726	0.82
	1.0	1690	1130	742	0.84
	1.1	1640	1150	753	0.85
	1.2	1590	1180	774	0.88
	1.3	1540	1205	791	0.89
	1.4	1500	1230	798	0.91
	1.5	1465	1255	819	0.93
	1.6	1425	1275	833	0.95
	1.7	1395	1300	839	0.97
1.8	1350	1335	861	0.99	
T3 **	0.8	1125	945	364	0.40
	0.9	1065	975	378	0.42
	1.0	980	1015	390	0.43
	1.1	1015	1035	398	0.44
	1.2	970	1075	412	0.46
	1.3	955	1105	421	0.47
	1.4	910	1125	429	0.48
	1.5	820	1160	442	0.50
	1.6	775	1185	451	0.51
	1.7	720	1190	454	0.51
1.8	695	1215	466	0.52	
T4	0.8	1895	1100	802	0.90
	0.9	1855	1130	822	0.93
	1.0	1820	1155	839	0.95
	1.1	1775	1175	850	0.96
	1.2	1725	1205	871	0.99
	1.3	1675	1230	889	1.01
	1.4	1635	1250	898	1.02
	1.5	1595	1275	921	1.04
	1.6	1560	1300	937	1.06
	1.7	1525	1320	944	1.08
1.8	1480	1355	967	1.11	
T5	0.8	1280	970	430	0.48
	0.9	1225	1005	445	0.50
	1.0	1155	1040	458	0.51
	1.1	1155	1060	467	0.52
	1.2	1110	1100	484	0.54
	1.3	1085	1130	495	0.56
	1.4	1040	1145	501	0.57
	1.5	970	1180	516	0.58
	1.6	930	1205	526	0.60
	1.7	-	-	-	-
1.8	-	-	-	-	

DSG0483W / DSG0484W 70K DOWNSHOT					
HIGH STATIC DRIVE					
TAP	EXTERNAL STATIC PRESSURE (ESP) in w.c	AIRFLOW (CFM)	RPM	WATTS	BHP
T1' *	0.8	1125	945	364	0.40
	0.9	1065	975	378	0.42
	1.0	980	1015	390	0.43
	1.1	1015	1035	398	0.44
	1.2	970	1075	412	0.46
	1.3	955	1105	421	0.47
	1.4	910	1125	429	0.48
	1.5	820	1160	442	0.50
	1.6	775	1185	451	0.51
	1.7	720	1190	454	0.51
1.8	695	1215	466	0.52	
T2'	0.8	1950	1115	851	0.96
	0.9	1915	1145	872	0.98
	1.0	1880	1165	889	1.00
	1.1	1835	1185	900	1.02
	1.2	1790	1215	921	1.04
	1.3	1745	1240	940	1.06
	1.4	1695	1265	949	1.08
	1.5	1660	1290	974	1.11
	1.6	1620	1310	990	1.12
	1.7	1590	1330	997	1.14
1.8	1545	1365	1021	1.17	
T3' **	0.8	1375	990	474	0.53
	0.9	1325	1020	490	0.55
	1.0	1260	1055	504	0.57
	1.1	1245	1080	513	0.58
	1.2	1195	1115	531	0.60
	1.3	1165	1140	543	0.61
	1.4	1125	1160	550	0.62
	1.5	1060	1190	566	0.64
	1.6	1025	1215	575	0.65
	1.7	-	-	-	-
1.8	-	-	-	-	
T4'	0.8	2000	1130	902	1.01
	0.9	1970	1160	923	1.04
	1.0	1935	1180	940	1.06
	1.1	1900	1195	951	1.07
	1.2	1855	1225	972	1.10
	1.3	1810	1250	991	1.12
	1.4	1760	1275	1002	1.14
	1.5	1720	1300	1028	1.16
	1.6	1680	1325	1045	1.19
	1.7	1650	1340	1052	1.20
1.8	1605	1375	1076	1.23	
T5'	0.8	1495	1010	535	0.60
	0.9	1445	1045	553	0.62
	1.0	1390	1080	567	0.64
	1.1	1360	1100	577	0.65
	1.2	1310	1135	596	0.68
	1.3	1270	1160	610	0.69
	1.4	1235	1180	616	0.70
	1.5	1200	1210	633	0.72
	1.6	-	-	-	-
	1.7	-	-	-	-
1.8	-	-	-	-	

*VALUES ARE FOR FAN MODE ONLY
**VALUES ARE FOR HEAT MODE ONLY

APPENDIX A BLOWER PERFORMANCE TABLES

DSG0483W / DSG0484W 70K HORIZONTAL					
HIGH STATIC DRIVE					
TAP	EXTERNAL STATIC PRESSURE (ESP) in w.c	AIRFLOW (CFM)	RPM	WATTS	BHP
T1 *	0.8	835	845	240	0.26
	0.9	760	880	249	0.27
	1.0	645	915	257	0.28
	1.1	760	935	264	0.28
	1.2	720	980	273	0.30
	1.3	735	1005	278	0.31
	1.4	670	1025	287	0.31
	1.5	-	-	-	-
	1.6	-	-	-	-
	1.7	-	-	-	-
1.8	-	-	-	-	
T2	0.8	1825	1015	671	0.75
	0.9	1780	1045	690	0.78
	1.0	1740	1075	705	0.80
	1.1	1690	1095	715	0.81
	1.2	1640	1120	735	0.83
	1.3	1585	1145	751	0.85
	1.4	1545	1170	758	0.87
	1.5	1510	1190	778	0.88
	1.6	1470	1210	791	0.90
	1.7	1435	1235	797	0.92
1.8	1390	1270	818	0.94	
T3 **	0.8	1160	900	346	0.39
	0.9	1095	925	359	0.40
	1.0	1010	965	371	0.41
	1.1	1045	985	378	0.42
	1.2	1000	1020	391	0.44
	1.3	985	1050	400	0.45
	1.4	935	1070	408	0.46
	1.5	845	1100	420	0.47
	1.6	800	1125	428	0.48
	1.7	740	1130	431	0.48
1.8	715	1155	443	0.49	
T4	0.8	1950	1045	762	0.86
	0.9	1910	1075	781	0.88
	1.0	1875	1095	797	0.90
	1.1	1830	1115	808	0.91
	1.2	1775	1145	827	0.94
	1.3	1725	1170	845	0.96
	1.4	1685	1190	853	0.97
	1.5	1645	1210	875	0.99
	1.6	1605	1235	890	1.01
	1.7	1570	1255	897	1.03
1.8	1525	1285	919	1.05	
T5	0.8	1320	920	409	0.46
	0.9	1260	955	423	0.47
	1.0	1200	990	435	0.49
	1.1	1190	1005	444	0.50
	1.2	1145	1045	460	0.52
	1.3	1120	1075	470	0.53
	1.4	1070	1090	476	0.54
	1.5	1000	1120	490	0.55
	1.6				
	1.7				
1.8					

DSG0483W / DSG0484W 70K HORIZONTAL					
HIGH STATIC DRIVE					
TAP	EXTERNAL STATIC PRESSURE (ESP) in w.c	AIRFLOW (CFM)	RPM	WATTS	BHP
T1' *	0.8	1160	900	346	0.39
	0.9	1095	925	359	0.40
	1.0	1010	965	371	0.41
	1.1	1045	985	378	0.42
	1.2	1000	1020	391	0.44
	1.3	985	1050	400	0.45
	1.4	935	1070	408	0.46
	1.5	845	1100	420	0.47
	1.6	800	1125	428	0.48
	1.7	740	1130	431	0.48
1.8	715	1155	443	0.49	
T2'	0.8	2000	1060	808	0.91
	0.9	1970	1090	828	0.93
	1.0	1935	1105	845	0.95
	1.1	1890	1125	855	0.96
	1.2	1845	1155	875	0.99
	1.3	1795	1180	893	1.01
	1.4	1745	1200	902	1.03
	1.5	1710	1225	925	1.05
	1.6	1670	1245	941	1.07
	1.7	1640	1265	947	1.08
1.8	1590	1295	970	1.11	
T3' **	0.8	1415	940	450	0.51
	0.9	1365	970	466	0.52
	1.0	1300	1000	479	0.54
	1.1	1280	1025	487	0.55
	1.2	1230	1060	504	0.57
	1.3	1200	1085	516	0.58
	1.4	1160	1100	523	0.59
	1.5	1090	1130	538	0.61
	1.6	1055	1155	546	0.62
	1.7	1005	1170	551	0.63
1.8	970	1200	566	0.65	
T4'	0.8	-	-	-	-
	0.9	-	-	-	-
	1.0	1995	1120	893	1.00
	1.1	1955	1135	903	1.02
	1.2	1910	1165	923	1.04
	1.3	1865	1190	941	1.06
	1.4	1815	1210	952	1.08
	1.5	1770	1235	977	1.11
	1.6	1730	1260	993	1.13
	1.7	1700	1275	999	1.14
1.8	1655	1305	1022	1.17	
T5'	0.8	1540	960	508	0.57
	0.9	1490	995	525	0.59
	1.0	1430	1025	539	0.61
	1.1	1400	1045	548	0.62
	1.2	1350	1080	566	0.64
	1.3	1310	1100	580	0.65
	1.4	1270	1120	585	0.67
	1.5	1215	1150	601	0.68
	1.6	-	-	-	-
	1.7	-	-	-	-
1.8	-	-	-	-	

*VALUES ARE FOR FAN MODE ONLY
 **VALUES ARE FOR HEAT MODE ONLY

APPENDIX A BLOWER PERFORMANCE TABLES

DSG0483W / DSG0484W 90K DOWNSHOT					
HIGH STATIC DRIVE					
TAP	EXTERNAL STATIC PRESSURE (ESP) in w.c	AIRFLOW (CFM)	RPM	WATTS	BHP
T1 *	0.8	1055	930	338	0.37
	0.9	995	965	350	0.39
	1.0	900	1005	362	0.40
	1.1	955	1025	369	0.41
	1.2	910	1065	383	0.43
	1.3	900	1095	391	0.44
	1.4	850	1115	399	0.45
	1.5	755	1150	412	0.46
	1.6	710	1175	420	0.47
	1.7	645	1180	422	0.47
T2	1.8	625	1200	433	0.48
	0.8	1770	1070	706	0.79
	0.9	1730	1100	726	0.82
	1.0	1690	1130	742	0.84
	1.1	1640	1150	753	0.85
	1.2	1590	1180	774	0.88
	1.3	1540	1205	791	0.89
	1.4	1500	1230	798	0.91
	1.5	1465	1255	819	0.93
	1.6	1425	1275	833	0.95
T3 **	1.7	1395	1300	839	0.97
	1.8	1350	1335	861	0.99
	0.8	1505	1015	540	0.61
	0.9	1455	1045	558	0.63
	1.0	1400	1080	573	0.65
	1.1	1370	1100	582	0.66
	1.2	1320	1135	602	0.68
	1.3	1280	1160	615	0.70
	1.4	1240	1180	622	0.71
	1.5	1190	1210	639	0.73
T4	1.6	1155	1230	650	0.74
	1.7	1110	1250	655	0.75
	1.8	1070	1290	674	0.77
	0.8	1895	1100	802	0.90
	0.9	1855	1130	822	0.93
	1.0	1820	1155	839	0.95
	1.1	1775	1175	850	0.96
	1.2	1725	1205	871	0.99
	1.3	1675	1230	889	1.01
	1.4	1635	1250	898	1.02
T5	1.5	1595	1275	921	1.04
	1.6	1560	1300	937	1.06
	1.7	1525	1320	944	1.08
	1.8	1480	1355	967	1.11
	0.8	1635	1040	615	0.69
	0.9	1590	1070	634	0.71
	1.0	1545	1105	650	0.74
	1.1	1500	1125	660	0.75
	1.2	1450	1155	681	0.77
	1.3	1405	1185	696	0.79
T5'	1.4	1365	1205	702	0.80
	1.5	1320	1230	721	0.82
	1.6	1285	1250	733	0.83
	1.7	1250	1275	739	0.85
	1.8	1205	1310	760	0.87

DSG0483W / DSG0484W 90K DOWNSHOT					
HIGH STATIC DRIVE					
TAP	EXTERNAL STATIC PRESSURE (ESP) in w.c	AIRFLOW (CFM)	RPM	WATTS	BHP
T1'	0.8	1365	985	469	0.53
	0.9	1315	1020	485	0.54
	1.0	1245	1055	499	0.56
	1.1	1235	1075	508	0.57
	1.2	1190	1110	526	0.59
	1.3	1155	1140	538	0.61
	1.4	1115	1160	544	0.62
	1.5	1050	1190	560	0.63
	1.6	1015	1215	570	0.65
	1.7	965	1230	574	0.66
T2'	1.8	930	1260	591	0.67
	0.8	1950	1115	851	0.96
	0.9	1915	1145	872	0.98
	1.0	1880	1165	889	1.00
	1.1	1835	1185	900	1.02
	1.2	1790	1215	921	1.04
	1.3	1745	1240	940	1.06
	1.4	1695	1265	949	1.08
	1.5	1660	1290	974	1.11
	1.6	1620	1310	990	1.12
T3**	1.7	1590	1330	997	1.14
	1.8	1545	1365	1021	1.17
	0.8	1705	1055	660	0.74
	0.9	1660	1085	680	0.76
	1.0	1620	1115	696	0.79
	1.1	1570	1135	706	0.80
	1.2	1520	1170	727	0.82
	1.3	1475	1195	743	0.84
	1.4	1435	1215	750	0.86
	1.5	1395	1240	770	0.87
T4'	1.6	1360	1265	782	0.89
	1.7	1325	1285	789	0.91
	1.8	1275	1325	810	0.93
	0.8	2000	1130	902	1.01
	0.9	1970	1160	923	1.04
	1.0	1935	1180	940	1.06
	1.1	1900	1195	951	1.07
	1.2	1855	1225	972	1.10
	1.3	1810	1250	991	1.12
	1.4	1760	1275	1002	1.14
T5'	1.5	1720	1300	1028	1.16
	1.6	1680	1325	1045	1.19
	1.7	1650	1340	1052	1.20
	1.8	1605	1375	1076	1.23
	0.8	1820	1085	741	0.84
	0.9	1780	1110	762	0.86
	1.0	1740	1140	778	0.88
	1.1	1690	1160	789	0.89
	1.2	1640	1190	810	0.92
	1.3	1590	1215	827	0.94
T5'	1.4	1550	1235	835	0.95
	1.5	1515	1260	857	0.97
	1.6	1480	1285	871	0.99
	1.7	1445	1305	878	1.01
	1.8	1400	1345	900	1.04

*VALUES ARE FOR FAN MODE ONLY
 **VALUES ARE FOR HEAT MODE ONLY

APPENDIX A BLOWER PERFORMANCE TABLES

DSG0483W / DSG0484W 90K HORIZONTAL					
HIGH STATIC DRIVE					
TAP	EXTERNAL STATIC PRESSURE (ESP) in w.c	AIRFLOW (CFM)	RPM	WATTS	BHP
T1 *	0.8	1085	885	321	0.35
	0.9	1025	915	333	0.37
	1.0	925	955	344	0.38
	1.1	985	975	351	0.39
	1.2	935	1010	364	0.40
	1.3	925	1040	371	0.42
	1.4	875	1060	379	0.42
	1.5	780	1095	391	0.44
	1.6	730	1115	399	0.45
	1.7	665	1120	401	0.45
1.8	645	1140	411	0.46	
T2	0.8	1825	1015	671	0.75
	0.9	1780	1045	690	0.78
	1.0	1740	1075	705	0.80
	1.1	1690	1095	715	0.81
	1.2	1640	1120	735	0.83
	1.3	1585	1145	751	0.85
	1.4	1545	1170	758	0.87
	1.5	1510	1190	778	0.88
	1.6	1470	1210	791	0.90
	1.7	1435	1235	797	0.92
1.8	1390	1270	818	0.94	
T3 **	0.8	1550	965	513	0.58
	0.9	1500	995	530	0.60
	1.0	1440	1025	544	0.61
	1.1	1410	1045	553	0.63
	1.2	1360	1080	572	0.65
	1.3	1320	1100	584	0.66
	1.4	1275	1120	591	0.67
	1.5	1225	1150	607	0.69
	1.6	1190	1170	618	0.70
	1.7	1145	1190	622	0.71
1.8	1100	1225	640	0.73	
T4	0.8	1950	1045	762	0.86
	0.9	1910	1075	781	0.88
	1.0	1875	1095	797	0.90
	1.1	1830	1115	808	0.91
	1.2	1775	1145	827	0.94
	1.3	1725	1170	845	0.96
	1.4	1685	1190	853	0.97
	1.5	1645	1210	875	0.99
	1.6	1605	1235	890	1.01
	1.7	1570	1255	897	1.03
1.8	1525	1285	919	1.05	
T5	0.8	1685	990	584	0.66
	0.9	1640	1015	602	0.68
	1.0	1590	1050	618	0.70
	1.1	1545	1070	627	0.71
	1.2	1495	1095	647	0.73
	1.3	1445	1125	661	0.75
	1.4	1405	1145	667	0.76
	1.5	1360	1170	685	0.78
	1.6	1325	1190	696	0.79
	1.7	1290	1210	702	0.81
1.8	1240	1245	722	0.83	

DSG0483W / DSG0484W 90K HORIZONTAL					
HIGH STATIC DRIVE					
TAP	EXTERNAL STATIC PRESSURE (ESP) in w.c	AIRFLOW (CFM)	RPM	WATTS	BHP
T1'	0.8	1405	935	446	0.50
	0.9	1355	970	461	0.52
	1.0	1280	1000	474	0.53
	1.1	1270	1020	483	0.54
	1.2	1225	1055	500	0.56
	1.3	1190	1085	511	0.58
	1.4	1150	1100	517	0.59
	1.5	1080	1130	532	0.60
	1.6	1045	1155	542	0.62
	1.7	995	1170	545	0.62
1.8	960	1195	561	0.64	
T2'	0.8	2000	1060	808	0.91
	0.9	1970	1090	828	0.93
	1.0	1935	1105	845	0.95
	1.1	1890	1125	855	0.96
	1.2	1845	1155	875	0.99
	1.3	1795	1180	893	1.01
	1.4	1745	1200	902	1.03
	1.5	1710	1225	925	1.05
	1.6	1670	1245	941	1.07
	1.7	1640	1265	947	1.08
1.8	1590	1295	970	1.11	
T3' **	0.8	1755	1000	627	0.70
	0.9	1710	1030	646	0.73
	1.0	1670	1060	661	0.75
	1.1	1615	1080	671	0.76
	1.2	1565	1110	691	0.78
	1.3	1520	1135	706	0.80
	1.4	1480	1155	713	0.81
	1.5	1435	1180	732	0.83
	1.6	1400	1200	743	0.85
	1.7	1365	1220	750	0.86
1.8	1315	1260	770	0.89	
T4'	0.8	-	-	-	-
	0.9	-	-	-	-
	1.0	1995	1120	893	1.00
	1.1	1955	1135	903	1.02
	1.2	1910	1165	923	1.04
	1.3	1865	1190	941	1.06
	1.4	1815	1210	952	1.08
	1.5	1770	1235	977	1.11
	1.6	1730	1260	993	1.13
	1.7	1700	1275	999	1.14
1.8	1655	1305	1022	1.17	
T5'	0.8	1875	1030	704	0.79
	0.9	1835	1055	724	0.81
	1.0	1790	1085	739	0.84
	1.1	1740	1100	750	0.85
	1.2	1690	1130	770	0.87
	1.3	1640	1155	786	0.89
	1.4	1595	1175	793	0.91
	1.5	1560	1195	814	0.92
	1.6	1525	1220	827	0.94
	1.7	1490	1240	834	0.96
1.8	1440	1280	855	0.99	

*VALUES ARE FOR FAN MODE ONLY
 **VALUES ARE FOR HEAT MODE ONLY

APPENDIX A BLOWER PERFORMANCE TABLES

DSG0483W / DSG0484W / DSG0487W 115K DOWNSHOT					
HIGH STATIC DRIVE					
TAP	EXTERNAL STATIC PRESSURE (ESP) in w.c	AIRFLOW (CFM)	RPM	WATTS	BHP
T1 *	0.8	680	870	214	0.22
	0.9	605	905	221	0.23
	1.0	580	940	228	0.24
	1.1	555	975	235	0.25
	1.2	535	1010	242	0.26
	1.3	500	1045	249	0.27
	1.4	470	1080	256	0.28
	1.5	445	1115	263	0.29
	1.6	410	1150	270	0.30
	1.7	380	1185	277	0.30
T2	1.8	350	1220	284	0.31
	0.8	1770	1070	706	0.79
	0.9	1730	1100	726	0.82
	1.0	1690	1130	742	0.84
	1.1	1640	1150	753	0.85
	1.2	1590	1180	774	0.88
	1.3	1540	1205	791	0.89
	1.4	1500	1230	798	0.91
	1.5	1465	1255	819	0.93
	1.6	1425	1275	833	0.95
T3 **	1.7	1395	1300	839	0.97
	1.8	1350	1335	861	0.99
	0.8	875	900	273	0.30
	0.9	805	935	284	0.31
	1.0	695	975	293	0.32
	1.1	795	995	300	0.33
	1.2	755	1040	311	0.34
	1.3	760	1070	317	0.35
	1.4	700	1090	326	0.36
	1.5	670	1120	335	0.37
T4	1.6	640	1150	343	0.38
	1.7	610	1180	352	0.39
	1.8	580	1210	361	0.40
	0.8	1895	1100	802	0.90
	0.9	1855	1130	822	0.93
	1.0	1820	1155	839	0.95
	1.1	1775	1175	850	0.96
	1.2	1725	1205	871	0.99
	1.3	1675	1230	889	1.01
	1.4	1635	1250	898	1.02
T5	1.5	1595	1275	921	1.04
	1.6	1560	1300	937	1.06
	1.7	1525	1320	944	1.08
	1.8	1480	1355	967	1.11
	0.8	1235	965	411	0.46
	0.9	1180	995	425	0.47
	1.0	1105	1035	439	0.49
	1.1	1115	1055	447	0.50
	1.2	1070	1090	463	0.52
	1.3	1050	1120	473	0.53
T5	1.4	1005	1140	480	0.54
	1.5	925	1175	495	0.56
	1.6	885	1200	504	0.57
	1.7	835	1210	507	0.58
	1.8	805	1235	522	0.59

DSG0483W / DSG0484W / DSG0487W 115K DOWNSHOT					
HIGH STATIC DRIVE					
TAP	EXTERNAL STATIC PRESSURE (ESP) in w.c	AIRFLOW (CFM)	RPM	WATTS	BHP
T1' *	0.8	1445	1000	509	0.57
	0.9	1395	1035	526	0.59
	1.0	1335	1070	541	0.61
	1.1	1310	1090	550	0.62
	1.2	1265	1125	569	0.64
	1.3	1230	1155	582	0.66
	1.4	1190	1175	588	0.67
	1.5	1130	1200	605	0.69
	1.6	1095	1225	615	0.70
	1.7	1050	1245	620	0.71
T2'	1.8	1010	1275	638	0.73
	0.8	1950	1115	851	0.96
	0.9	1915	1145	872	0.98
	1.0	1880	1165	889	1.00
	1.1	1835	1185	900	1.02
	1.2	1790	1215	921	1.04
	1.3	1745	1240	940	1.06
	1.4	1695	1265	949	1.08
	1.5	1660	1290	974	1.11
	1.6	1620	1310	990	1.12
T3' **	1.7	1590	1330	997	1.14
	1.8	1545	1365	1021	1.17
	0.8	1545	1020	561	0.63
	0.9	1495	1055	579	0.65
	1.0	1445	1085	595	0.67
	1.1	1405	1105	604	0.68
	1.2	1355	1140	624	0.71
	1.3	1315	1170	638	0.72
	1.4	1280	1190	645	0.74
	1.5	1230	1215	662	0.75
T4'	1.6	1190	1240	673	0.77
	1.7	1150	1260	679	0.78
	1.8	1110	1295	698	0.80
	0.8	2000	1130	902	1.01
	0.9	1970	1160	923	1.04
	1.0	1935	1180	940	1.06
	1.1	1900	1195	951	1.07
	1.2	1855	1225	972	1.10
	1.3	1810	1250	991	1.12
	1.4	1760	1275	1002	1.14
T5'	1.5	1720	1300	1028	1.16
	1.6	1680	1325	1045	1.19
	1.7	1650	1340	1052	1.20
	1.8	1605	1375	1076	1.23
	0.8	1805	1080	730	0.82
	0.9	1760	1110	750	0.85
	1.0	1725	1135	766	0.86
	1.1	1675	1155	777	0.88
	1.2	1625	1185	798	0.90
	1.3	1575	1215	815	0.93
T5'	1.4	1535	1235	823	0.94
	1.5	1500	1260	844	0.96
	1.6	1460	1280	858	0.97
	1.7	1430	1305	865	0.99
	1.8	1380	1340	887	1.02

*VALUES ARE FOR FAN MODE ONLY
**VALUES ARE FOR HEAT MODE ONLY

APPENDIX A BLOWER PERFORMANCE TABLES

DSG0483W / DSG0484W / DSG0487W 115K HORIZONTAL					
HIGH STATIC DRIVE					
TAP	EXTERNAL STATIC PRESSURE (ESP) in w.c	AIRFLOW (CFM)	RPM	WATTS	BHP
T1 *	0.8	700	825	203	0.21
	0.9	625	860	210	0.22
	1.0	580	895	217	0.23
	1.1	535	930	224	0.24
	1.2	565	965	231	0.25
	1.3	545	1000	238	0.26
	1.4	525	1035	245	0.27
	1.5	505	1070	252	0.28
	1.6	485	1105	259	0.28
	1.7	465	1140	266	0.29
1.8	445	1175	273	0.30	
T2	0.8	1825	1015	671	0.75
	0.9	1780	1045	690	0.78
	1.0	1740	1075	705	0.80
	1.1	1690	1095	715	0.81
	1.2	1640	1120	735	0.83
	1.3	1585	1145	751	0.85
	1.4	1545	1170	758	0.87
	1.5	1510	1190	778	0.88
	1.6	1470	1210	791	0.90
	1.7	1435	1235	797	0.92
1.8	1390	1270	818	0.94	
T3 **	0.8	900	855	259	0.28
	0.9	830	890	270	0.29
	1.0	715	925	278	0.30
	1.1	820	945	285	0.31
	1.2	780	990	295	0.33
	1.3	785	1015	301	0.33
	1.4	720	1035	310	0.34
	1.5	690	1065	319	0.35
	1.6	660	1100	327	0.36
	1.7	630	1125	336	0.37
1.8	600	1155	344	0.38	
T4	0.8	1950	1045	762	0.86
	0.9	1910	1075	781	0.88
	1.0	1875	1095	797	0.90
	1.1	1830	1115	808	0.91
	1.2	1775	1145	827	0.94
	1.3	1725	1170	845	0.96
	1.4	1685	1190	853	0.97
	1.5	1645	1210	875	0.99
	1.6	1605	1235	890	1.01
	1.7	1570	1255	897	1.03
1.8	1525	1285	919	1.05	
T5	0.8	1270	915	390	0.44
	0.9	1215	945	404	0.45
	1.0	1140	985	417	0.47
	1.1	1150	1000	425	0.48
	1.2	1100	1035	440	0.49
	1.3	1080	1065	449	0.51
	1.4	1035	1085	456	0.52
	1.5	955	1115	470	0.53
	1.6	910	1140	479	0.54
	1.7	860	1150	482	0.55
1.8	830	1175	496	0.56	

DSG0483W / DSG0484W / DSG0487W 115K HORIZONTAL					
HIGH STATIC DRIVE					
TAP	EXTERNAL STATIC PRESSURE (ESP) in w.c	AIRFLOW (CFM)	RPM	WATTS	BHP
T1' *	0.8	1490	950	484	0.54
	0.9	1435	985	500	0.56
	1.0	1375	1015	514	0.58
	1.1	1350	1035	523	0.59
	1.2	1305	1070	541	0.61
	1.3	1265	1095	553	0.63
	1.4	1225	1115	559	0.64
	1.5	1165	1140	575	0.65
	1.6	1130	1165	584	0.67
	1.7	1080	1185	589	0.68
1.8	1040	1210	606	0.69	
T2'	0.8	2000	1060	808	0.91
	0.9	1970	1090	828	0.93
	1.0	1935	1105	845	0.95
	1.1	1890	1125	855	0.96
	1.2	1845	1155	875	0.99
	1.3	1795	1180	893	1.01
	1.4	1745	1200	902	1.03
	1.5	1710	1225	925	1.05
	1.6	1670	1245	941	1.07
	1.7	1640	1265	947	1.08
1.8	1590	1295	970	1.11	
T3' **	0.8	1590	970	533	0.60
	0.9	1540	1000	550	0.62
	1.0	1490	1030	565	0.64
	1.1	1445	1050	574	0.65
	1.2	1395	1085	593	0.67
	1.3	1355	1110	606	0.69
	1.4	1320	1130	613	0.70
	1.5	1265	1155	629	0.71
	1.6	1225	1180	639	0.73
	1.7	1200	1195	645	0.74
1.8	-	-	-	-	
T4'	0.8	-	-	-	-
	0.9	-	-	-	-
	1.0	1995	1120	893	1.00
	1.1	1955	1135	903	1.02
	1.2	1910	1165	923	1.04
	1.3	1865	1190	941	1.06
	1.4	1815	1210	952	1.08
	1.5	1770	1235	977	1.11
	1.6	1730	1260	993	1.13
	1.7	1700	1275	999	1.14
1.8	1655	1305	1022	1.17	
T5'	0.8	1860	1025	694	0.78
	0.9	1815	1055	713	0.80
	1.0	1775	1080	728	0.82
	1.1	1725	1095	738	0.83
	1.2	1675	1125	758	0.86
	1.3	1620	1155	774	0.88
	1.4	1580	1175	782	0.89
	1.5	1545	1195	802	0.91
	1.6	1505	1215	815	0.93
	1.7	1475	1240	822	0.94
1.8	1420	1275	843	0.97	

*VALUES ARE FOR FAN MODE ONLY
**VALUES ARE FOR HEAT MODE ONLY

APPENDIX A BLOWER PERFORMANCE TABLES

DSG0481D 80K ULN DOWNSHOT					
STANDARD STATIC DRIVE					
TAP	EXTERNAL STATIC PRESSURE (ESP) in w.c	AIRFLOW (CFM)	RPM	WATTS	BHP
T1 *	0.1	1075	575	137	0.05
	0.2	1015	615	144	0.06
	0.3	960	655	154	0.06
	0.4	925	705	162	0.07
	0.5	840	745	173	0.07
	0.6	-	-	-	-
	0.7	-	-	-	-
	0.8	-	-	-	-
T2	0.1	1725	800	415	0.45
	0.2	1675	830	426	0.47
	0.3	1630	855	440	0.48
	0.4	1585	885	456	0.50
	0.5	1540	915	468	0.52
	0.6	1500	945	484	0.53
	0.7	1450	975	495	0.55
	0.8	1405	1005	512	0.57
T3 **	0.1	1460	705	280	0.30
	0.2	1405	740	289	0.31
	0.3	1355	770	301	0.32
	0.4	1315	810	315	0.34
	0.5	1255	840	325	0.35
	0.6	1190	875	338	0.37
	0.7	1130	910	348	0.38
	0.8	1070	945	362	0.40
T4	0.1	1830	840	479	0.53
	0.2	1780	865	492	0.54
	0.3	1735	895	506	0.56
	0.4	1695	920	524	0.58
	0.5	1655	945	536	0.59
	0.6	1610	975	551	0.61
	0.7	1570	1005	564	0.63
	0.8	1525	1035	581	0.65
T5	0.1	1955	885	571	0.63
	0.2	1910	915	586	0.65
	0.3	1870	940	601	0.67
	0.4	1825	965	619	0.69
	0.5	1790	990	633	0.71
	0.6	1755	1015	649	0.72
	0.7	1715	1040	662	0.74
	0.8	1675	1065	679	0.76

DSG0481D 80K ULN HORIZONTAL					
STANDARD STATIC DRIVE					
TAP	EXTERNAL STATIC PRESSURE (ESP) in w.c	AIRFLOW (CFM)	RPM	WATTS	BHP
T1 *	0.1	1125	545	130	0.05
	0.2	1060	585	137	0.06
	0.3	1005	620	146	0.06
	0.4	965	670	154	0.06
	0.5	880	710	164	0.07
	0.6	-	-	-	-
	0.7	-	-	-	-
	0.8	-	-	-	-
T2	0.1	1800	760	394	0.43
	0.2	1750	790	405	0.45
	0.3	1705	810	418	0.46
	0.4	1655	840	433	0.48
	0.5	1610	870	445	0.49
	0.6	1565	900	459	0.51
	0.7	1515	925	469	0.52
	0.8	1470	955	486	0.54
T3 **	0.1	1525	670	266	0.28
	0.2	1470	705	275	0.30
	0.3	1415	730	286	0.31
	0.4	1375	770	299	0.32
	0.5	1310	800	309	0.34
	0.6	1245	830	321	0.35
	0.7	1180	865	331	0.36
	0.8	1120	900	344	0.38
T4	0.1	1910	800	455	0.50
	0.2	1860	820	467	0.52
	0.3	1815	850	481	0.53
	0.4	1770	875	498	0.55
	0.5	1730	900	509	0.57
	0.6	1680	925	523	0.58
	0.7	1640	955	536	0.60
	0.8	1595	985	552	0.62
T5	0.1	-	-	-	-
	0.2	1995	870	557	0.62
	0.3	1955	895	571	0.64
	0.4	1905	915	588	0.65
	0.5	1870	940	601	0.67
	0.6	1835	965	617	0.69
	0.7	1790	990	629	0.71
	0.8	1750	1010	645	0.72

*VALUES ARE FOR FAN MODE ONLY
 **VALUES ARE FOR HEAT MODE ONLY

APPENDIX A BLOWER PERFORMANCE TABLES

DSG0481D 100K ULN DOWNSHOT					
STANDARD STATIC DRIVE					
TAP	EXTERNAL STATIC PRESSURE (ESP) in w.c	AIRFLOW (CFM)	RPM	WATTS	BHP
T1 *	0.1	1075	575	137	0.14
	0.2	1015	615	144	0.15
	0.3	960	655	154	0.16
	0.4	925	705	162	0.17
	0.5	840	745	173	0.18
	0.6	-	-	-	-
	0.7	-	-	-	-
	0.8	-	-	-	-
T2	0.1	1725	800	415	0.45
	0.2	1675	830	426	0.47
	0.3	1630	855	440	0.48
	0.4	1585	885	456	0.50
	0.5	1540	915	469	0.52
	0.6	1495	945	484	0.53
	0.7	1450	975	495	0.55
	0.8	1405	1005	512	0.57
T3 **	0.1	1475	715	288	0.31
	0.2	1425	745	298	0.32
	0.3	1375	780	310	0.33
	0.4	1335	815	324	0.35
	0.5	1275	845	334	0.36
	0.6	1215	880	347	0.38
	0.7	1150	915	357	0.39
	0.8	1095	950	371	0.41
T4	0.1	1830	840	479	0.53
	0.2	1780	865	492	0.54
	0.3	1735	895	506	0.56
	0.4	1695	920	524	0.58
	0.5	1655	945	536	0.59
	0.6	1610	975	551	0.61
	0.7	1570	1005	564	0.63
	0.8	1525	1035	581	0.65
T5	0.1	1895	865	524	0.58
	0.2	1850	890	538	0.60
	0.3	1805	915	553	0.61
	0.4	1760	940	570	0.63
	0.5	1725	970	584	0.65
	0.6	1685	995	599	0.67
	0.7	1645	1020	612	0.68
	0.8	1605	1050	629	0.70

DSG0481D 100K ULN HORIZONTAL					
STANDARD STATIC DRIVE					
TAP	EXTERNAL STATIC PRESSURE (ESP) in w.c	AIRFLOW (CFM)	RPM	WATTS	BHP
T1 *	0.1	1125	545	130	0.13
	0.2	1060	585	137	0.14
	0.3	1005	620	146	0.15
	0.4	965	670	154	0.16
	0.5	880	710	164	0.17
	0.6	-	-	-	-
	0.7	-	-	-	-
	0.8	-	-	-	-
T2	0.1	1800	760	394	0.43
	0.2	1750	790	405	0.45
	0.3	1705	810	418	0.46
	0.4	1655	840	433	0.48
	0.5	1610	870	445	0.49
	0.6	1565	900	459	0.51
	0.7	1515	925	469	0.52
	0.8	1470	955	487	0.54
T3 **	0.1	1540	680	274	0.29
	0.2	1490	710	283	0.30
	0.3	1435	740	295	0.32
	0.4	1395	775	308	0.33
	0.5	1330	805	317	0.34
	0.6	1270	835	330	0.36
	0.7	1200	870	339	0.37
	0.8	1145	905	352	0.39
T4	0.1	1910	800	455	0.50
	0.2	1860	820	467	0.52
	0.3	1815	850	481	0.53
	0.4	1770	875	498	0.55
	0.5	1730	900	509	0.57
	0.6	1680	925	523	0.58
	0.7	1640	955	536	0.60
	0.8	1595	985	552	0.62
T5	0.1	1980	820	498	0.55
	0.2	1935	845	511	0.57
	0.3	1885	870	525	0.58
	0.4	1840	895	542	0.60
	0.5	1805	920	555	0.62
	0.6	1760	945	569	0.63
	0.7	1720	970	581	0.65
	0.8	1675	1000	598	0.67

*VALUES ARE FOR FAN MODE ONLY
 **VALUES ARE FOR HEAT MODE ONLY

APPENDIX A BLOWER PERFORMANCE TABLES

DSG0483D 80K ULN DOWNSHOT					
STANDARD STATIC DRIVE					
TAP	EXTERNAL STATIC PRESSURE (ESP) in w.c	AIRFLOW (CFM)	RPM	WATTS	BHP
T1 *	0.1	1205	620	179	0.18
	0.2	1145	655	187	0.19
	0.3	1090	695	198	0.21
	0.4	1055	735	208	0.22
	0.5	980	780	218	0.23
	0.6	895	815	228	0.24
	0.7	815	855	237	0.25
	0.8	-	-	-	-
T2	0.1	1725	800	415	0.45
	0.2	1675	830	426	0.47
	0.3	1630	855	440	0.48
	0.4	1585	885	456	0.50
	0.5	1540	915	468	0.52
	0.6	1500	945	484	0.53
	0.7	1450	975	495	0.55
	0.8	1405	1005	512	0.57
T3 **	0.1	1460	705	280	0.30
	0.2	1405	740	289	0.31
	0.3	1355	770	301	0.32
	0.4	1315	810	315	0.34
	0.5	1255	840	325	0.35
	0.6	1190	875	338	0.37
	0.7	1130	910	348	0.38
	0.8	1070	945	362	0.40
T4	0.1	1830	840	479	0.53
	0.2	1780	865	492	0.54
	0.3	1735	895	506	0.56
	0.4	1695	920	524	0.58
	0.5	1655	945	536	0.59
	0.6	1610	975	551	0.61
	0.7	1570	1005	564	0.63
	0.8	1525	1035	581	0.65
T5	0.1	1895	865	524	0.58
	0.2	1850	890	538	0.60
	0.3	1805	915	553	0.61
	0.4	1760	940	570	0.63
	0.5	1725	970	584	0.65
	0.6	1685	995	599	0.67
	0.7	1645	1020	612	0.68
	0.8	1605	1050	629	0.70

DSG0483D 80K ULN HORIZONTAL					
STANDARD STATIC DRIVE					
TAP	EXTERNAL STATIC PRESSURE (ESP) in w.c	AIRFLOW (CFM)	RPM	WATTS	BHP
T1 *	0.1	1260	590	170	0.17
	0.2	1195	620	178	0.18
	0.3	1140	660	188	0.19
	0.4	1100	700	198	0.21
	0.5	1025	740	207	0.22
	0.6	935	775	217	0.23
	0.7	850	810	225	0.24
	0.8	-	-	-	-
T2	0.1	1800	760	394	0.43
	0.2	1750	790	405	0.45
	0.3	1705	810	418	0.46
	0.4	1655	840	433	0.48
	0.5	1610	870	445	0.49
	0.6	1565	900	459	0.51
	0.7	1515	925	469	0.52
	0.8	1470	955	486	0.54
T3 **	0.1	1525	670	266	0.28
	0.2	1470	705	275	0.30
	0.3	1415	730	286	0.31
	0.4	1375	770	299	0.32
	0.5	1310	800	309	0.34
	0.6	1245	830	321	0.35
	0.7	1180	865	331	0.36
	0.8	1120	900	344	0.38
T4	0.1	1910	800	455	0.50
	0.2	1860	820	467	0.52
	0.3	1815	850	481	0.53
	0.4	1770	875	498	0.55
	0.5	1730	900	509	0.57
	0.6	1680	925	523	0.58
	0.7	1640	955	536	0.60
	0.8	1595	985	552	0.62
T5	0.1	1980	820	498	0.55
	0.2	1935	845	511	0.57
	0.3	1885	870	525	0.58
	0.4	1840	895	542	0.60
	0.5	1805	920	555	0.62
	0.6	1760	945	569	0.63
	0.7	1720	970	581	0.65
	0.8	1675	1000	598	0.67

*VALUES ARE FOR FAN MODE ONLY
 **VALUES ARE FOR HEAT MODE ONLY

APPENDIX A BLOWER PERFORMANCE TABLES

DSG0483D 100K ULN DOWNSHOT					
STANDARD STATIC DRIVE					
TAP	EXTERNAL STATIC PRESSURE (ESP) in w.c	AIRFLOW (CFM)	RPM	WATTS	BHP
T1 *	0.1	1205	620	179	0.18
	0.2	1145	655	187	0.19
	0.3	1090	695	198	0.21
	0.4	1055	735	208	0.22
	0.5	980	780	218	0.23
	0.6	895	815	228	0.24
	0.7	815	855	237	0.25
	0.8	-	-	-	-
T2	0.1	1725	800	415	0.45
	0.2	1675	830	426	0.47
	0.3	1630	855	440	0.48
	0.4	1585	885	456	0.50
	0.5	1540	915	469	0.52
	0.6	1495	945	484	0.53
	0.7	1450	975	495	0.55
	0.8	1405	1005	512	0.57
T3 **	0.1	1475	715	288	0.31
	0.2	1425	745	298	0.32
	0.3	1375	780	310	0.33
	0.4	1335	815	324	0.35
	0.5	1275	845	334	0.36
	0.6	1215	880	347	0.38
	0.7	1150	915	357	0.39
	0.8	1095	950	371	0.41
T4	0.1	1830	840	479	0.53
	0.2	1780	865	492	0.54
	0.3	1735	895	506	0.56
	0.4	1695	920	524	0.58
	0.5	1655	945	536	0.59
	0.6	1610	975	551	0.61
	0.7	1570	1005	564	0.63
	0.8	1525	1035	581	0.65
T5	0.1	1895	865	524	0.58
	0.2	1850	890	538	0.60
	0.3	1805	915	553	0.61
	0.4	1760	940	570	0.63
	0.5	1725	970	584	0.65
	0.6	1685	995	599	0.67
	0.7	1645	1020	612	0.68
	0.8	1605	1050	629	0.70

DSG0483D 100K ULN HORIZONTAL					
STANDARD STATIC DRIVE					
TAP	EXTERNAL STATIC PRESSURE (ESP) in w.c	AIRFLOW (CFM)	RPM	WATTS	BHP
T1 *	0.1	1260	590	170	0.17
	0.2	1195	620	178	0.18
	0.3	1140	660	188	0.19
	0.4	1100	700	198	0.21
	0.5	1025	740	207	0.22
	0.6	935	775	217	0.23
	0.7	850	810	225	0.24
	0.8	-	-	-	-
T2	0.1	1800	760	394	0.43
	0.2	1750	790	405	0.45
	0.3	1705	810	418	0.46
	0.4	1655	840	433	0.48
	0.5	1610	870	445	0.49
	0.6	1565	900	459	0.51
	0.7	1515	925	469	0.52
	0.8	1470	955	487	0.54
T3 **	0.1	1540	680	274	0.29
	0.2	1490	710	283	0.30
	0.3	1435	740	295	0.32
	0.4	1395	775	308	0.33
	0.5	1330	805	317	0.34
	0.6	1270	835	330	0.36
	0.7	1200	870	339	0.37
	0.8	1145	905	352	0.39
T4	0.1	1910	800	455	0.50
	0.2	1860	820	467	0.52
	0.3	1815	850	481	0.53
	0.4	1770	875	498	0.55
	0.5	1730	900	509	0.57
	0.6	1680	925	523	0.58
	0.7	1640	955	536	0.60
	0.8	1595	985	552	0.62
T5	0.1	1980	820	498	0.55
	0.2	1935	845	511	0.57
	0.3	1885	870	525	0.58
	0.4	1840	895	542	0.60
	0.5	1805	920	555	0.62
	0.6	1760	945	569	0.63
	0.7	1720	970	581	0.65
	0.8	1675	1000	598	0.67

*VALUES ARE FOR FAN MODE ONLY
 **VALUES ARE FOR HEAT MODE ONLY

APPENDIX A BLOWER PERFORMANCE TABLES

DSG0484D 80K ULN DOWNSHOT					
STANDARD STATIC DRIVE					
TAP	EXTERNAL STATIC PRESSURE (ESP) in w.c	AIRFLOW (CFM)	RPM	WATTS	BHP
T1 *	0.1	1230	640	191	0.20
	0.2	1190	665	200	0.21
	0.3	1115	705	210	0.22
	0.4	1070	750	215	0.24
	0.5	1020	780	231	0.25
	0.6	965	820	240	0.26
	0.7	900	870	253	0.27
	0.8	835	895	261	0.28
T2	0.1	1740	805	415	0.46
	0.2	1710	830	426	0.47
	0.3	1640	860	441	0.49
	0.4	1610	890	452	0.50
	0.5	1580	910	462	0.52
	0.6	1530	940	479	0.53
	0.7	1485	975	491	0.55
	0.8	1435	1000	503	0.57
T3 **	0.1	1340	675	231	0.25
	0.2	1305	700	241	0.26
	0.3	1230	740	252	0.27
	0.4	1185	780	259	0.28
	0.5	1140	805	273	0.29
	0.6	1090	845	284	0.31
	0.7	1025	890	296	0.32
	0.8	970	915	305	0.33
T4	0.1	1815	835	461	0.51
	0.2	1790	860	472	0.52
	0.3	1725	885	488	0.54
	0.4	1690	915	500	0.56
	0.5	1660	935	510	0.57
	0.6	1610	965	527	0.59
	0.7	1570	995	539	0.61
	0.8	1525	1020	551	0.62
T5	0.1	1880	855	502	0.55
	0.2	1855	880	513	0.57
	0.3	1795	905	529	0.59
	0.4	1755	935	542	0.61
	0.5	1730	955	552	0.62
	0.6	1680	985	570	0.64
	0.7	1640	1010	582	0.65
	0.8	1600	1035	594	0.67

DSG0484D 80K ULN HORIZONTAL					
STANDARD STATIC DRIVE					
TAP	EXTERNAL STATIC PRESSURE (ESP) in w.c	AIRFLOW (CFM)	RPM	WATTS	BHP
T1 *	0.1	1265	610	181	0.19
	0.2	1225	630	190	0.20
	0.3	1150	670	200	0.21
	0.4	1100	715	204	0.22
	0.5	1050	740	219	0.23
	0.6	995	780	228	0.25
	0.7	925	825	240	0.26
	0.8	860	850	248	0.27
T2	0.1	1790	765	394	0.43
	0.2	1760	790	405	0.45
	0.3	1695	815	419	0.46
	0.4	1660	845	430	0.48
	0.5	1625	865	439	0.49
	0.6	1575	895	455	0.51
	0.7	1530	925	467	0.52
	0.8	1480	950	477	0.54
T3 **	0.1	1380	640	219	0.23
	0.2	1345	665	229	0.24
	0.3	1265	705	239	0.26
	0.4	1220	740	246	0.27
	0.5	1175	765	259	0.28
	0.6	1125	805	270	0.29
	0.7	1055	845	281	0.31
	0.8	1000	870	290	0.32
T4	0.1	1870	795	438	0.48
	0.2	1845	815	448	0.50
	0.3	1775	840	464	0.51
	0.4	1740	870	475	0.53
	0.5	1710	890	485	0.54
	0.6	1660	915	501	0.56
	0.7	1615	945	512	0.58
	0.8	1570	970	523	0.59
T5	0.1	1935	810	477	0.52
	0.2	1910	835	487	0.54
	0.3	1850	860	503	0.56
	0.4	1810	890	515	0.58
	0.5	1780	905	524	0.59
	0.6	1730	935	542	0.61
	0.7	1690	960	553	0.62
	0.8	1650	985	564	0.64

*VALUES ARE FOR FAN MODE ONLY
 **VALUES ARE FOR HEAT MODE ONLY

APPENDIX A BLOWER PERFORMANCE TABLES

DSG0484D 100K ULN DOWNSHOT					
STANDARD STATIC DRIVE					
TAP	EXTERNAL STATIC PRESSURE (ESP) in w.c	AIRFLOW (CFM)	RPM	WATTS	BHP
T1 *	0.1	1070	585	137	0.14
	0.2	1020	615	146	0.15
	0.3	940	660	154	0.16
	0.4	895	705	158	0.17
	0.5	840	740	175	0.18
	0.6	785	785	182	0.19
	0.7	710	835	196	0.20
	0.8	640	860	202	0.21
T2	0.1	1740	805	415	0.46
	0.2	1715	830	426	0.47
	0.3	1645	860	441	0.49
	0.4	1610	890	452	0.50
	0.5	1580	910	462	0.51
	0.6	1530	940	479	0.53
	0.7	1485	975	491	0.55
	0.8	1435	1000	502	0.57
T3 **	0.1	1180	625	172	0.18
	0.2	1135	650	182	0.19
	0.3	1055	690	191	0.20
	0.4	1010	735	196	0.21
	0.5	960	765	211	0.22
	0.6	905	805	220	0.23
	0.7	835	855	233	0.25
	0.8	770	885	241	0.26
T4	0.1	1815	835	461	0.51
	0.2	1790	860	472	0.52
	0.3	1725	885	488	0.54
	0.4	1690	915	500	0.56
	0.5	1660	935	510	0.57
	0.6	1610	965	527	0.59
	0.7	1570	995	539	0.61
	0.8	1525	1020	551	0.62
T5	0.1	1880	855	502	0.55
	0.2	1855	880	513	0.57
	0.3	1795	905	529	0.59
	0.4	1755	935	542	0.61
	0.5	1730	955	552	0.62
	0.6	1680	985	570	0.64
	0.7	1640	1010	582	0.65
	0.8	1600	1035	594	0.67

DSG0484D 100K ULN HORIZONTAL					
STANDARD STATIC DRIVE					
TAP	EXTERNAL STATIC PRESSURE (ESP) in w.c	AIRFLOW (CFM)	RPM	WATTS	BHP
T1 *	0.1	1100	555	130	0.13
	0.2	1050	585	139	0.14
	0.3	970	625	146	0.15
	0.4	920	670	150	0.16
	0.5	865	705	166	0.17
	0.6	810	745	173	0.18
	0.7	730	795	186	0.19
	0.8	660	815	192	0.20
T2	0.1	1795	765	394	0.43
	0.2	1765	790	405	0.45
	0.3	1695	815	419	0.46
	0.4	1660	845	430	0.48
	0.5	1625	865	439	0.49
	0.6	1575	895	455	0.51
	0.7	1530	925	467	0.52
	0.8	1480	950	477	0.54
T3 **	0.1	1215	595	163	0.17
	0.2	1170	620	173	0.18
	0.3	1085	655	181	0.19
	0.4	1040	700	186	0.20
	0.5	990	725	200	0.21
	0.6	930	765	209	0.22
	0.7	860	810	221	0.24
	0.8	795	840	229	0.24
T4	0.1	1870	795	438	0.48
	0.2	1845	815	448	0.50
	0.3	1775	840	464	0.51
	0.4	1740	870	475	0.53
	0.5	1710	890	485	0.54
	0.6	1660	915	501	0.56
	0.7	1615	945	512	0.58
	0.8	1570	970	523	0.59
T5	0.1	1935	810	477	0.52
	0.2	1910	835	487	0.54
	0.3	1850	860	503	0.56
	0.4	1810	890	515	0.58
	0.5	1780	905	524	0.59
	0.6	1730	935	542	0.61
	0.7	1690	960	553	0.62
	0.8	1650	985	564	0.64

*VALUES ARE FOR FAN MODE ONLY
 **VALUES ARE FOR HEAT MODE ONLY

APPENDIX A BLOWER PERFORMANCE TABLES

DSG0483W / DSG0484W 80K ULN DOWNSHOT					
HIGH STATIC DRIVE					
TAP	EXTERNAL STATIC PRESSURE (ESP) in w.c	AIRFLOW (CFM)	RPM	WATTS	BHP
T1 *	0.8	1150	945	373	0.41
	0.9	1090	980	387	0.43
	1.0	1005	1020	399	0.45
	1.1	1035	1040	407	0.46
	1.2	990	1080	422	0.47
	1.3	975	1110	432	0.49
	1.4	925	1130	439	0.49
	1.5	840	1160	453	0.51
	1.6	800	1185	461	0.52
	1.7	740	1195	464	0.52
1.8	715	1220	477	0.53	
T2	0.8	1770	1070	706	0.79
	0.9	1730	1100	726	0.82
	1.0	1690	1130	742	0.84
	1.1	1640	1150	753	0.85
	1.2	1590	1180	774	0.88
	1.3	1540	1205	791	0.89
	1.4	1500	1230	798	0.91
	1.5	1465	1255	819	0.93
	1.6	1425	1275	833	0.95
	1.7	1395	1300	839	0.97
1.8	1350	1335	861	0.99	
T3 **	0.8	1660	1045	632	0.71
	0.9	1615	1075	651	0.73
	1.0	1570	1110	667	0.76
	1.1	1525	1130	677	0.77
	1.2	1475	1160	698	0.79
	1.3	1430	1190	713	0.81
	1.4	1390	1210	720	0.82
	1.5	1350	1235	739	0.84
	1.6	1315	1255	752	0.85
	1.7	1275	1280	758	0.87
1.8	1230	1315	778	0.90	
T4	0.8	1895	1100	802	0.90
	0.9	1855	1130	822	0.93
	1.0	1820	1155	839	0.95
	1.1	1775	1175	850	0.96
	1.2	1725	1205	871	0.99
	1.3	1675	1230	889	1.01
	1.4	1635	1250	898	1.02
	1.5	1595	1275	921	1.04
	1.6	1560	1300	937	1.06
	1.7	1525	1320	944	1.08
1.8	1480	1355	967	1.11	
T5	0.8	1785	1075	718	0.81
	0.9	1745	1105	738	0.83
	1.0	1705	1135	754	0.85
	1.1	1655	1150	765	0.86
	1.2	1605	1185	786	0.89
	1.3	1560	1210	803	0.91
	1.4	1520	1230	810	0.93
	1.5	1480	1255	832	0.94
	1.6	1445	1280	845	0.96
	1.7	1410	1300	852	0.98
1.8	1365	1340	874	1.01	

DSG0483W / DSG0484W 80K ULN DOWNSHOT					
HIGH STATIC DRIVE					
TAP	EXTERNAL STATIC PRESSURE (ESP) in w.c	AIRFLOW (CFM)	RPM	WATTS	BHP
T1' *	0.8	1325	980	449	0.50
	0.9	1270	1010	465	0.52
	1.0	1200	1050	479	0.54
	1.1	1195	1070	487	0.55
	1.2	1150	1105	505	0.57
	1.3	1120	1135	516	0.58
	1.4	1080	1155	523	0.59
	1.5	1010	1185	538	0.61
	1.6	970	1210	548	0.62
	1.7	920	1225	552	0.63
1.8	890	1255	567	0.65	
T2'	0.8	1950	1115	851	0.96
	0.9	1915	1145	872	0.98
	1.0	1880	1165	889	1.00
	1.1	1835	1185	900	1.02
	1.2	1790	1215	921	1.04
	1.3	1745	1240	940	1.06
	1.4	1695	1265	949	1.08
	1.5	1660	1290	974	1.11
	1.6	1620	1310	990	1.12
	1.7	1590	1330	997	1.14
1.8	1545	1365	1021	1.17	
T3' **	0.8	1850	1090	765	0.86
	0.9	1810	1120	786	0.88
	1.0	1775	1145	802	0.90
	1.1	1725	1165	813	0.92
	1.2	1675	1195	834	0.94
	1.3	1625	1220	852	0.96
	1.4	1585	1245	860	0.98
	1.5	1550	1270	882	1.00
	1.6	1510	1290	897	1.02
	1.7	1480	1315	904	1.04
1.8	1435	1350	927	1.07	
T4'	0.8	2000	1130	902	1.01
	0.9	1970	1160	923	1.04
	1.0	1935	1180	940	1.06
	1.1	1900	1195	951	1.07
	1.2	1855	1225	972	1.10
	1.3	1810	1250	991	1.12
	1.4	1760	1275	1002	1.14
	1.5	1720	1300	1028	1.16
	1.6	1680	1325	1045	1.19
	1.7	1650	1340	1052	1.20
1.8	1605	1375	1076	1.23	
T5'	0.8	1965	1120	864	0.97
	0.9	1925	1145	885	0.99
	1.0	1895	1170	901	1.01
	1.1	1855	1190	913	1.03
	1.2	1805	1220	934	1.06
	1.3	1760	1245	953	1.08
	1.4	1715	1265	962	1.10
	1.5	1675	1290	987	1.12
	1.6	1635	1315	1004	1.14
	1.7	1605	1335	1011	1.16
1.8	1560	1365	1035	1.18	

*VALUES ARE FOR FAN MODE ONLY
 **VALUES ARE FOR HEAT MODE ONLY

APPENDIX A BLOWER PERFORMANCE TABLES

DSG0483W / DSG0484W 80K ULN HORIZONTAL					
HIGH STATIC DRIVE					
TAP	EXTERNAL STATIC PRESSURE (ESP) in w.c	AIRFLOW (CFM)	RPM	WATTS	BHP
T1 *	0.8	1185	900	354	0.39
	0.9	1125	930	368	0.41
	1.0	1035	970	379	0.42
	1.1	1065	990	387	0.43
	1.2	1020	1025	401	0.45
	1.3	1005	1055	410	0.46
	1.4	955	1075	417	0.47
	1.5	865	1100	430	0.48
	1.6	825	1125	438	0.49
	1.7	760	1135	441	0.50
T2	1.8	735	1160	453	0.51
	0.8	1825	1015	671	0.75
	0.9	1780	1045	690	0.78
	1.0	1740	1075	705	0.80
	1.1	1690	1095	715	0.81
	1.2	1640	1120	735	0.83
	1.3	1585	1145	751	0.85
	1.4	1545	1170	758	0.87
	1.5	1510	1190	778	0.88
	1.6	1470	1210	791	0.90
T3 **	1.7	1435	1235	797	0.92
	1.8	1390	1270	818	0.94
	0.8	1710	995	600	0.68
	0.9	1665	1020	618	0.69
	1.0	1615	1055	634	0.72
	1.1	1570	1075	643	0.73
	1.2	1520	1100	663	0.75
	1.3	1475	1130	677	0.77
	1.4	1430	1150	684	0.78
	1.5	1390	1175	702	0.80
T4	1.6	1355	1190	714	0.81
	1.7	1315	1215	720	0.83
	1.8	1265	1250	739	0.85
	0.8	1950	1045	762	0.86
	0.9	1910	1075	781	0.88
	1.0	1875	1095	797	0.90
	1.1	1830	1115	808	0.91
	1.2	1775	1145	827	0.94
	1.3	1725	1170	845	0.96
	1.4	1685	1190	853	0.97
T5	1.5	1645	1210	875	0.99
	1.6	1605	1235	890	1.01
	1.7	1570	1255	897	1.03
	1.8	1525	1285	919	1.05
	0.8	1840	1020	682	0.77
	0.9	1795	1050	701	0.79
	1.0	1755	1080	716	0.81
	1.1	1705	1095	727	0.82
	1.2	1655	1125	747	0.85
	1.3	1605	1150	763	0.86
T5	1.4	1565	1170	770	0.88
	1.5	1525	1190	790	0.89
	1.6	1490	1215	803	0.91
	1.7	1450	1235	809	0.93
	1.8	1405	1275	830	0.96

DSG0483W / DSG0484W 80K ULN HORIZONTAL					
HIGH STATIC DRIVE					
TAP	EXTERNAL STATIC PRESSURE (ESP) in w.c	AIRFLOW (CFM)	RPM	WATTS	BHP
T1' *	0.8	1365	930	427	0.48
	0.9	1310	960	442	0.49
	1.0	1235	1000	455	0.51
	1.1	1230	1015	463	0.52
	1.2	1185	1050	480	0.54
	1.3	1155	1080	490	0.56
	1.4	1110	1095	497	0.56
	1.5	1040	1125	511	0.58
	1.6	1000	1150	521	0.59
	1.7	950	1165	524	0.60
T2'	1.8	915	1190	539	0.61
	0.8	2000	1060	808	0.91
	0.9	1970	1090	828	0.93
	1.0	1935	1105	845	0.95
	1.1	1890	1125	855	0.96
	1.2	1845	1155	875	0.99
	1.3	1795	1180	893	1.01
	1.4	1745	1200	902	1.03
	1.5	1710	1225	925	1.05
	1.6	1670	1245	941	1.07
T3' **	1.7	1640	1265	947	1.08
	1.8	1590	1295	970	1.11
	0.8	1905	1035	727	0.82
	0.9	1865	1065	747	0.84
	1.0	1830	1090	762	0.86
	1.1	1775	1105	772	0.87
	1.2	1725	1135	792	0.90
	1.3	1675	1160	809	0.92
	1.4	1635	1185	817	0.94
	1.5	1595	1205	838	0.95
T4'	1.6	1555	1225	852	0.97
	1.7	1525	1250	859	0.99
	1.8	1480	1285	881	1.02
	0.8	-	-	-	-
	0.9	-	-	-	-
	1.0	1995	1120	893	1.00
	1.1	1955	1135	903	1.02
	1.2	1910	1165	923	1.04
	1.3	1865	1190	941	1.06
	1.4	1815	1210	952	1.08
T5'	1.5	1770	1235	977	1.11
	1.6	1730	1260	993	1.13
	1.7	1700	1275	999	1.14
	1.8	1655	1305	1022	1.17
	0.8	-	-	-	-
	0.9	1985	1090	841	0.94
	1.0	1950	1110	856	0.96
	1.1	1910	1130	867	0.98
	1.2	1860	1160	887	1.00
	1.3	1815	1185	905	1.03
T5'	1.4	1765	1200	914	1.04
	1.5	1725	1225	938	1.06
	1.6	1685	1250	954	1.08
	1.7	1655	1270	960	1.10
	1.8	1605	1295	983	1.12

*VALUES ARE FOR FAN MODE ONLY
 **VALUES ARE FOR HEAT MODE ONLY

APPENDIX A BLOWER PERFORMANCE TABLES

DSG0483W / DSG0484W 100K ULN DOWNSHOT					
HIGH STATIC DRIVE					
TAP	EXTERNAL STATIC PRESSURE (ESP) in w.c	AIRFLOW (CFM)	RPM	WATTS	BHP
T1 *	0.8	1290	970	434	0.48
	0.9	1235	1005	449	0.50
	1.0	1165	1040	462	0.52
	1.1	1165	1065	471	0.53
	1.2	1120	1100	488	0.55
	1.3	1090	1130	499	0.56
	1.4	1050	1150	506	0.57
	1.5	975	1180	521	0.59
	1.6	940	1205	530	0.60
	1.7	885	1215	534	0.61
T2	1.8	855	1245	549	0.62
	0.8	1770	1070	706	0.79
	0.9	1730	1100	726	0.82
	1.0	1690	1130	742	0.84
	1.1	1640	1150	753	0.85
	1.2	1590	1180	774	0.88
	1.3	1540	1205	791	0.89
	1.4	1500	1230	798	0.91
	1.5	1465	1255	819	0.93
	1.6	1425	1275	833	0.95
T3 **	1.7	1395	1300	839	0.97
	1.8	1350	1335	861	0.99
	0.8	1290	970	434	0.48
	0.9	1235	1005	449	0.50
	1.0	1165	1040	462	0.52
	1.1	1165	1065	471	0.53
	1.2	1120	1100	488	0.55
	1.3	1090	1130	499	0.56
	1.4	1050	1150	506	0.57
	1.5	975	1180	521	0.59
T4	1.6	940	1205	530	0.60
	1.7	885	1215	534	0.61
	1.8	855	1245	549	0.62
	0.8	1895	1100	802	0.90
	0.9	1855	1130	822	0.93
	1.0	1820	1155	839	0.95
	1.1	1775	1175	850	0.96
	1.2	1725	1205	871	0.99
	1.3	1675	1230	889	1.01
	1.4	1635	1250	898	1.02
T5	1.5	1595	1275	921	1.04
	1.6	1560	1300	937	1.06
	1.7	1525	1320	944	1.08
	1.8	1480	1355	967	1.11
	0.8	1445	1000	509	0.57
	0.9	1395	1035	526	0.59
	1.0	1335	1070	541	0.61
	1.1	1310	1090	550	0.62
	1.2	1265	1125	569	0.64
	1.3	1230	1155	582	0.66
T5'	1.4	1190	1175	588	0.67
	1.5	1130	1200	605	0.69
	1.6	1095	1225	615	0.70
	1.7	1050	1245	620	0.71
	1.8	1010	1275	638	0.73

DSG0483W / DSG0484W 100K ULN DOWNSHOT					
HIGH STATIC DRIVE					
TAP	EXTERNAL STATIC PRESSURE (ESP) in w.c	AIRFLOW (CFM)	RPM	WATTS	BHP
T1' *	0.8	1720	1060	672	0.76
	0.9	1680	1090	691	0.78
	1.0	1635	1120	707	0.80
	1.1	1585	1140	717	0.81
	1.2	1535	1170	739	0.84
	1.3	1490	1200	754	0.86
	1.4	1450	1220	762	0.87
	1.5	1410	1245	782	0.89
	1.6	1375	1265	795	0.90
	1.7	1340	1290	801	0.92
T2'	1.8	1295	1325	823	0.95
	0.8	1950	1115	851	0.96
	0.9	1915	1145	872	0.98
	1.0	1880	1165	889	1.00
	1.1	1835	1185	900	1.02
	1.2	1790	1215	921	1.04
	1.3	1745	1240	940	1.06
	1.4	1695	1265	949	1.08
	1.5	1660	1290	974	1.11
	1.6	1620	1310	990	1.12
T3' **	1.7	1590	1330	997	1.14
	1.8	1545	1365	1021	1.17
	0.8	1965	1120	864	0.97
	0.9	1925	1145	885	0.99
	1.0	1895	1170	901	1.01
	1.1	1855	1190	913	1.03
	1.2	1805	1220	934	1.06
	1.3	1760	1245	953	1.08
	1.4	1715	1265	962	1.10
	1.5	1675	1290	987	1.12
T4'	1.6	1635	1315	1004	1.14
	1.7	1605	1335	1011	1.16
	1.8	1560	1365	1035	1.18
	0.8	2000	1130	902	1.01
	0.9	1970	1160	923	1.04
	1.0	1935	1180	940	1.06
	1.1	1900	1195	951	1.07
	1.2	1855	1225	972	1.10
	1.3	1810	1250	991	1.12
	1.4	1760	1275	1002	1.14
T5'	1.5	1720	1300	1028	1.16
	1.6	1680	1325	1045	1.19
	1.7	1650	1340	1052	1.20
	1.8	1605	1375	1076	1.23
	0.8	2000	1135	915	1.03
	0.9	1980	1160	936	1.05
	1.0	1950	1180	953	1.07
	1.1	1915	1200	964	1.09
	1.2	1870	1230	985	1.11
	1.3	1825	1255	1004	1.14
T5'	1.4	1775	1280	1015	1.16
	1.5	1735	1305	1041	1.18
	1.6	1695	1325	1059	1.20
	1.7	1660	1345	1066	1.22
	1.8	1620	1375	1090	1.24

*VALUES ARE FOR FAN MODE ONLY
 **VALUES ARE FOR HEAT MODE ONLY

APPENDIX A BLOWER PERFORMANCE TABLES

DSG0483W / DSG0484W 100K ULN HORIZONTAL					
HIGH STATIC DRIVE					
TAP	EXTERNAL STATIC PRESSURE (ESP) in w.c	AIRFLOW (CFM)	RPM	WATTS	BHP
T1 *	0.8	1330	920	412	0.46
	0.9	1270	955	427	0.48
	1.0	1200	990	439	0.49
	1.1	1200	1010	447	0.50
	1.2	1155	1045	464	0.52
	1.3	1125	1075	474	0.54
	1.4	1080	1095	481	0.55
	1.5	1005	1120	495	0.56
	1.6	970	1145	504	0.57
	1.7	910	1155	507	0.58
T2	1.8	880	1185	522	0.59
	0.8	1825	1015	671	0.75
	0.9	1780	1045	690	0.78
	1.0	1740	1075	705	0.80
	1.1	1690	1095	715	0.81
	1.2	1640	1120	735	0.83
	1.3	1585	1145	751	0.85
	1.4	1545	1170	758	0.87
	1.5	1510	1190	778	0.88
	1.6	1470	1210	791	0.90
T3 **	1.7	1435	1235	797	0.92
	1.8	1390	1270	818	0.94
	0.8	1330	920	412	0.46
	0.9	1270	955	427	0.48
	1.0	1200	990	439	0.49
	1.1	1200	1010	447	0.50
	1.2	1155	1045	464	0.52
	1.3	1125	1075	474	0.54
	1.4	1080	1095	481	0.55
	1.5	1005	1120	495	0.56
T4	1.6	970	1145	504	0.57
	1.7	910	1155	507	0.58
	1.8	880	1185	522	0.59
	0.8	1950	1045	762	0.86
	0.9	1910	1075	781	0.88
	1.0	1875	1095	797	0.90
	1.1	1830	1115	808	0.91
	1.2	1775	1145	827	0.94
	1.3	1725	1170	845	0.96
	1.4	1685	1190	853	0.97
T5	1.5	1645	1210	875	0.99
	1.6	1605	1235	890	1.01
	1.7	1570	1255	897	1.03
	1.8	1525	1285	919	1.05
	0.8	1490	950	484	0.54
	0.9	1435	985	500	0.56
	1.0	1375	1015	514	0.58
	1.1	1350	1035	523	0.59
	1.2	1305	1070	541	0.61
	1.3	1265	1095	553	0.63
T5	1.4	1225	1115	559	0.64
	1.5	1165	1140	575	0.65
	1.6	1130	1165	584	0.67
	1.7	1080	1185	589	0.68
	1.8	1040	1210	606	0.69

DSG0483W / DSG0484W 100K ULN HORIZONTAL					
HIGH STATIC DRIVE					
TAP	EXTERNAL STATIC PRESSURE (ESP) in w.c	AIRFLOW (CFM)	RPM	WATTS	BHP
T1' *	0.8	1770	1005	638	0.72
	0.9	1730	1035	656	0.74
	1.0	1685	1065	672	0.76
	1.1	1635	1085	681	0.77
	1.2	1580	1110	702	0.79
	1.3	1535	1140	716	0.81
	1.4	1495	1160	724	0.83
	1.5	1450	1185	743	0.85
	1.6	1415	1200	755	0.86
	1.7	1380	1225	761	0.87
T2'	1.8	1335	1260	782	0.90
	0.8	2000	1060	808	0.91
	0.9	1970	1090	828	0.93
	1.0	1935	1105	845	0.95
	1.1	1890	1125	855	0.96
	1.2	1845	1155	875	0.99
	1.3	1795	1180	893	1.01
	1.4	1745	1200	902	1.03
	1.5	1710	1225	925	1.05
	1.6	1670	1245	941	1.07
T3' **	1.7	1640	1265	947	1.08
	1.8	1590	1295	970	1.11
	0.8	-	-	-	-
	0.9	1985	1090	841	0.94
	1.0	1950	1110	856	0.96
	1.1	1910	1130	867	0.98
	1.2	1860	1160	887	1.00
	1.3	1815	1185	905	1.03
	1.4	1765	1200	914	1.04
	1.5	1725	1225	938	1.06
T4'	1.6	1685	1250	954	1.08
	1.7	1655	1270	960	1.10
	1.8	1605	1295	983	1.12
	0.8	2065	1075	857	0.96
	0.9	2030	1100	877	0.98
	1.0	1995	1120	893	1.00
	1.1	1955	1135	903	1.02
	1.2	1910	1165	923	1.04
	1.3	1865	1190	941	1.06
	1.4	1815	1210	952	1.08
T5'	1.5	1770	1235	977	1.11
	1.6	1730	1260	993	1.13
	1.7	1700	1275	999	1.14
	1.8	1655	1305	1022	1.17
	0.8	2080	1080	869	0.98
	0.9	2040	1100	889	0.99
	1.0	2010	1120	905	1.01
	1.1	1970	1140	916	1.03
	1.2	1925	1170	936	1.06
	1.3	1880	1190	954	1.08
T5'	1.4	1830	1215	964	1.10
	1.5	1785	1240	989	1.12
	1.6	1745	1260	1006	1.14
	1.7	1710	1280	1013	1.16
	1.8	1670	1305	1036	1.18

*VALUES ARE FOR FAN MODE ONLY
 **VALUES ARE FOR HEAT MODE ONLY

APPENDIX A BLOWER PERFORMANCE TABLES

DSG0601D 90K DOWNSHOT					
STANDARD STATIC DRIVE					
TAP	EXTERNAL STATIC PRESSURE (ESP) in w.c	AIRFLOW (CFM)	RPM	WATTS	BHP
T1 *	0.1	1075	575	137	0.14
	0.2	1015	615	144	0.15
	0.3	960	655	154	0.16
	0.4	925	705	162	0.17
	0.5	840	745	173	0.18
	0.6	-	-	-	-
	0.7	-	-	-	-
	0.8	-	-	-	-
T2	0.1	2020	910	581	0.65
	0.2	1970	930	595	0.66
	0.3	1930	960	611	0.68
	0.4	1890	975	629	0.70
	0.5	1855	1000	644	0.72
	0.6	1825	1025	660	0.74
	0.7	1790	1050	674	0.76
	0.8	1760	1080	693	0.78
T3 **	0.1	1495	720	296	0.32
	0.2	1445	750	306	0.33
	0.3	1395	785	318	0.34
	0.4	1355	820	333	0.36
	0.5	1295	850	343	0.37
	0.6	1235	885	356	0.39
	0.7	1175	920	366	0.40
	0.8	1120	955	380	0.42
T4	0.1	1915	870	540	0.60
	0.2	1870	895	554	0.61
	0.3	1825	925	569	0.63
	0.4	1785	950	586	0.65
	0.5	1745	975	600	0.67
	0.6	1710	1000	615	0.69
	0.7	1670	1030	629	0.71
	0.8	1625	1055	646	0.72
T5	0.1	2250	1005	860	0.96
	0.2	2205	1025	879	0.98
	0.3	2165	1050	896	1.00
	0.4	2130	1075	913	1.02
	0.5	2090	1095	934	1.04
	0.6	2055	1120	949	1.07
	0.7	2015	1140	950	1.09
	0.8	1970	1155	950	1.10

DSG0601D 90K HORIZONTAL					
STANDARD STATIC DRIVE					
TAP	EXTERNAL STATIC PRESSURE (ESP) in w.c	AIRFLOW (CFM)	RPM	WATTS	BHP
T1 *	0.1	1125	545	130	0.13
	0.2	1060	585	137	0.14
	0.3	1005	620	146	0.15
	0.4	965	670	154	0.16
	0.5	880	710	164	0.17
	0.6	-	-	-	-
	0.7	-	-	-	-
	0.8	-	-	-	-
T2	0.1	2110	865	552	0.62
	0.2	2060	880	566	0.63
	0.3	2010	910	580	0.65
	0.4	1975	930	597	0.67
	0.5	1940	950	612	0.68
	0.6	1905	970	627	0.70
	0.7	1870	1000	639	0.72
	0.8	1845	1030	659	0.74
T3 **	0.1	1560	685	281	0.30
	0.2	1510	715	291	0.31
	0.3	1460	745	302	0.33
	0.4	1415	780	316	0.34
	0.5	1355	810	326	0.35
	0.6	1290	840	338	0.37
	0.7	1230	875	348	0.38
	0.8	1170	905	361	0.40
T4	0.1	2000	825	513	0.57
	0.2	1955	850	526	0.58
	0.3	1905	880	541	0.60
	0.4	1865	905	557	0.62
	0.5	1825	925	570	0.63
	0.6	1785	950	584	0.65
	0.7	1745	980	598	0.67
	0.8	1700	1000	614	0.69
T5	0.1	2350	955	817	0.91
	0.2	2305	975	835	0.93
	0.3	2260	1000	851	0.95
	0.4	2225	1020	867	0.97
	0.5	2185	1040	887	0.99
	0.6	2145	1065	902	1.01
	0.7	2105	1085	903	1.03
	0.8	2060	1095	903	1.04

*VALUES ARE FOR FAN MODE ONLY
 **VALUES ARE FOR HEAT MODE ONLY

APPENDIX A BLOWER PERFORMANCE TABLES

DSG0601D 140K DOWNSHOT					
STANDARD STATIC DRIVE					
TAP	EXTERNAL STATIC PRESSURE (ESP) in w.c	AIRFLOW (CFM)	RPM	WATTS	BHP
T1 *	0.1	1075	575	137	0.14
	0.2	1015	615	144	0.15
	0.3	960	655	154	0.16
	0.4	925	705	162	0.17
	0.5	840	745	173	0.18
	0.6	-	-	-	-
	0.7	-	-	-	-
	0.8	-	-	-	-
T2	0.1	1985	895	595	0.66
	0.2	1945	925	610	0.68
	0.3	1900	950	626	0.70
	0.4	1860	970	644	0.71
	0.5	1820	995	659	0.73
	0.6	1785	1020	674	0.75
	0.7	1750	1045	689	0.77
	0.8	1710	1075	705	0.79
T3 **	0.1	1995	900	603	0.67
	0.2	1955	930	618	0.69
	0.3	1910	955	634	0.71
	0.4	1870	975	652	0.72
	0.5	1830	1000	667	0.74
	0.6	1795	1025	682	0.76
	0.7	1760	1050	697	0.78
	0.8	1720	1080	713	0.80
T4	0.1	1915	870	540	0.60
	0.2	1870	895	554	0.61
	0.3	1825	925	569	0.63
	0.4	1785	950	586	0.65
	0.5	1745	975	600	0.67
	0.6	1710	1000	615	0.69
	0.7	1670	1030	629	0.71
	0.8	1625	1055	646	0.72
T5	0.1	2250	1005	860	0.96
	0.2	2205	1025	879	0.98
	0.3	2165	1050	896	1.00
	0.4	2130	1075	913	1.02
	0.5	2090	1095	934	1.04
	0.6	2055	1120	949	1.07
	0.7	2015	1140	950	1.09
	0.8	1970	1155	950	1.10

DSG0601D 140K HORIZONTAL					
STANDARD STATIC DRIVE					
TAP	EXTERNAL STATIC PRESSURE (ESP) in w.c	AIRFLOW (CFM)	RPM	WATTS	BHP
T1 *	0.1	1125	545	130	0.13
	0.2	1060	585	137	0.14
	0.3	1005	620	146	0.15
	0.4	965	670	154	0.16
	0.5	880	710	164	0.17
	0.6	-	-	-	-
	0.7	-	-	-	-
	0.8	-	-	-	-
T2	0.1	2075	850	566	0.63
	0.2	2035	880	580	0.65
	0.3	1985	900	594	0.66
	0.4	1945	920	611	0.68
	0.5	1900	945	626	0.70
	0.6	1865	970	640	0.72
	0.7	1825	995	654	0.73
	0.8	1785	1020	669	0.75
T3 **	0.1	2085	855	573	0.63
	0.2	2045	885	587	0.66
	0.3	1995	905	602	0.67
	0.4	1955	925	619	0.69
	0.5	1910	950	634	0.71
	0.6	1875	975	648	0.72
	0.7	1840	1000	662	0.74
	0.8	1795	1025	677	0.76
T4	0.1	2000	825	513	0.57
	0.2	1955	850	526	0.58
	0.3	1905	880	541	0.60
	0.4	1865	905	557	0.62
	0.5	1825	925	570	0.63
	0.6	1785	950	584	0.65
	0.7	1745	980	598	0.67
	0.8	1700	1000	614	0.69
T5	0.1	2350	955	817	0.91
	0.2	2305	975	835	0.93
	0.3	2260	1000	851	0.95
	0.4	2225	1020	867	0.97
	0.5	2185	1040	887	0.99
	0.6	2145	1065	902	1.01
	0.7	2105	1085	903	1.03
	0.8	2060	1095	903	1.04

*VALUES ARE FOR FAN MODE ONLY
 **VALUES ARE FOR HEAT MODE ONLY

APPENDIX A BLOWER PERFORMANCE TABLES

DSG0603D 90K DOWNSHOT					
STANDARD STATIC DRIVE					
TAP	EXTERNAL STATIC PRESSURE (ESP) in w.c	AIRFLOW (CFM)	RPM	WATTS	BHP
T1 *	0.1	990	545	111	0.11
	0.2	925	590	118	0.12
	0.3	870	630	127	0.13
	0.4	840	680	133	0.14
	0.5	745	725	144	0.14
	0.6	-	-	-	-
	0.7	-	-	-	-
	0.8	-	-	-	-
T2	0.1	2020	910	581	0.65
	0.2	1970	930	595	0.66
	0.3	1930	960	611	0.68
	0.4	1890	975	629	0.70
	0.5	1855	1000	644	0.72
	0.6	1825	1025	660	0.74
	0.7	1790	1050	674	0.76
	0.8	1760	1080	693	0.78
T3 **	0.1	1495	720	296	0.32
	0.2	1445	750	306	0.33
	0.3	1395	785	318	0.34
	0.4	1355	820	333	0.36
	0.5	1295	850	343	0.37
	0.6	1235	885	356	0.39
	0.7	1175	920	366	0.40
	0.8	1120	955	380	0.42
T4	0.1	1915	870	540	0.60
	0.2	1870	895	554	0.61
	0.3	1825	925	569	0.63
	0.4	1785	950	586	0.65
	0.5	1745	975	600	0.67
	0.6	1710	1000	615	0.69
	0.7	1670	1030	629	0.71
	0.8	1625	1055	646	0.72
T5	0.1	2250	1005	860	0.96
	0.2	2205	1025	879	0.98
	0.3	2165	1050	896	1.00
	0.4	2130	1075	913	1.02
	0.5	2090	1095	934	1.04
	0.6	2055	1120	949	1.07
	0.7	2015	1140	950	1.09
	0.8	1970	1155	950	1.10

DSG0603D 90K HORIZONTAL					
STANDARD STATIC DRIVE					
TAP	EXTERNAL STATIC PRESSURE (ESP) in w.c	AIRFLOW (CFM)	RPM	WATTS	BHP
T1 *	0.1	1035	520	105	0.10
	0.2	965	560	112	0.11
	0.3	910	600	121	0.12
	0.4	880	645	126	0.13
	0.5	780	690	137	0.14
	0.6	-	-	-	-
	0.7	-	-	-	-
	0.8	-	-	-	-
T2	0.1	2110	865	552	0.62
	0.2	2060	880	566	0.63
	0.3	2010	910	580	0.65
	0.4	1975	930	597	0.67
	0.5	1940	950	612	0.68
	0.6	1905	970	627	0.70
	0.7	1870	1000	639	0.72
	0.8	1845	1030	659	0.74
T3 **	0.1	1560	685	281	0.30
	0.2	1510	715	291	0.31
	0.3	1460	745	302	0.33
	0.4	1415	780	316	0.34
	0.5	1355	810	326	0.35
	0.6	1290	840	338	0.37
	0.7	1230	875	348	0.38
	0.8	1170	905	361	0.40
T4	0.1	2000	825	513	0.57
	0.2	1955	850	526	0.58
	0.3	1905	880	541	0.60
	0.4	1865	905	557	0.62
	0.5	1825	925	570	0.63
	0.6	1785	950	584	0.65
	0.7	1745	980	598	0.67
	0.8	1700	1000	614	0.69
T5	0.1	2350	955	817	0.91
	0.2	2305	975	835	0.93
	0.3	2260	1000	851	0.95
	0.4	2225	1020	867	0.97
	0.5	2185	1040	887	0.99
	0.6	2145	1065	902	1.01
	0.7	2105	1085	903	1.03
	0.8	2060	1095	903	1.04

*VALUES ARE FOR FAN MODE ONLY
 **VALUES ARE FOR HEAT MODE ONLY

APPENDIX A BLOWER PERFORMANCE TABLES

DSG0603D 115K DOWNSHOT					
STANDARD STATIC DRIVE					
TAP	EXTERNAL STATIC PRESSURE (ESP) in w.c	AIRFLOW (CFM)	RPM	WATTS	BHP
T1 *	0.1	1055	570	130	0.13
	0.2	995	610	138	0.14
	0.3	940	650	147	0.15
	0.4	905	695	155	0.16
	0.5	815	740	165	0.17
	0.6	720	780	174	0.18
	0.7	625	820	182	0.19
	0.8	545	860	189	0.20
T2	0.1	2025	910	579	0.64
	0.2	1975	930	594	0.66
	0.3	1935	960	609	0.68
	0.4	1895	975	628	0.70
	0.5	1860	1000	642	0.72
	0.6	1830	1025	659	0.74
	0.7	1800	1055	672	0.76
	0.8	1765	1080	691	0.78
T3 **	0.1	1440	700	271	0.29
	0.2	1385	735	281	0.30
	0.3	1335	765	293	0.31
	0.4	1295	805	306	0.33
	0.5	1235	835	317	0.34
	0.6	1170	870	329	0.36
	0.7	1105	905	339	0.37
	0.8	1050	940	352	0.38
T4	0.1	1915	870	540	0.60
	0.2	1870	895	554	0.61
	0.3	1825	925	569	0.63
	0.4	1785	950	586	0.65
	0.5	1745	975	600	0.67
	0.6	1710	1000	615	0.69
	0.7	1670	1030	629	0.71
	0.8	1625	1055	646	0.72
T5	0.1	2250	1005	860	0.96
	0.2	2205	1025	879	0.98
	0.3	2165	1050	896	1.00
	0.4	2130	1075	913	1.02
	0.5	2090	1095	934	1.04
	0.6	2055	1120	949	1.07
	0.7	2015	1140	950	1.09
	0.8	1970	1155	950	1.10

DSG0603D 115K HORIZONTAL					
STANDARD STATIC DRIVE					
TAP	EXTERNAL STATIC PRESSURE (ESP) in w.c	AIRFLOW (CFM)	RPM	WATTS	BHP
T1 *	0.1	1100	540	124	0.12
	0.2	1040	580	131	0.13
	0.3	980	620	140	0.14
	0.4	945	660	147	0.15
	0.5	850	705	157	0.16
	0.6	750	740	165	0.17
	0.7	655	780	173	0.18
	0.8	570	815	180	0.19
T2	0.1	2150	850	543	0.61
	0.2	2100	860	557	0.62
	0.3	2050	890	570	0.64
	0.4	2010	905	588	0.65
	0.5	1975	930	602	0.67
	0.6	1940	950	617	0.69
	0.7	1905	975	629	0.71
	0.8	1875	1000	648	0.73
T3 **	0.1	1440	700	271	0.29
	0.2	1385	735	281	0.30
	0.3	1335	765	293	0.31
	0.4	1295	805	306	0.33
	0.5	1235	835	317	0.34
	0.6	1170	870	329	0.36
	0.7	1105	905	339	0.37
	0.8	1050	940	352	0.38
T4	0.1	2000	825	513	0.57
	0.2	1955	850	526	0.58
	0.3	1905	880	541	0.60
	0.4	1865	905	557	0.62
	0.5	1825	925	570	0.63
	0.6	1785	950	584	0.65
	0.7	1745	980	598	0.67
	0.8	1700	1000	614	0.69
T5	0.1	2350	955	817	0.91
	0.2	2305	975	835	0.93
	0.3	2260	1000	851	0.95
	0.4	2225	1020	867	0.97
	0.5	2185	1040	887	0.99
	0.6	2145	1065	902	1.01
	0.7	2105	1085	903	1.03
	0.8	2060	1095	903	1.04

*VALUES ARE FOR FAN MODE ONLY
 **VALUES ARE FOR HEAT MODE ONLY

APPENDIX A BLOWER PERFORMANCE TABLES

DSG0603D 140K DOWNSHOT					
STANDARD STATIC DRIVE					
TAP	EXTERNAL STATIC PRESSURE (ESP) in w.c	AIRFLOW (CFM)	RPM	WATTS	BHP
T1 *	0.1	1830	840	479	0.53
	0.2	1780	865	492	0.54
	0.3	1735	895	506	0.56
	0.4	1695	920	524	0.58
	0.5	1655	945	536	0.59
	0.6	1610	975	551	0.61
	0.7	1570	1005	564	0.63
	0.8	1525	1035	581	0.65
T2	0.1	1985	895	595	0.66
	0.2	1945	925	610	0.68
	0.3	1900	950	626	0.70
	0.4	1860	970	644	0.71
	0.5	1820	995	659	0.73
	0.6	1785	1020	674	0.75
	0.7	1750	1045	689	0.77
	0.8	1710	1075	705	0.79
T3 **	0.1	1995	900	603	0.67
	0.2	1955	930	618	0.69
	0.3	1910	955	634	0.71
	0.4	1870	975	652	0.72
	0.5	1830	1000	667	0.74
	0.6	1795	1025	682	0.76
	0.7	1760	1050	697	0.78
	0.8	1720	1080	713	0.80
T4	0.1	1915	870	540	0.60
	0.2	1870	895	554	0.61
	0.3	1825	925	569	0.63
	0.4	1785	950	586	0.65
	0.5	1745	975	600	0.67
	0.6	1710	1000	615	0.69
	0.7	1670	1030	629	0.71
	0.8	1625	1055	646	0.72
T5	0.1	2250	1005	860	0.96
	0.2	2205	1025	879	0.98
	0.3	2165	1050	896	1.00
	0.4	2130	1075	913	1.02
	0.5	2090	1095	934	1.04
	0.6	2055	1120	949	1.07
	0.7	2015	1140	950	1.09
	0.8	1970	1155	950	1.10

DSG0603D 140K HORIZONTAL					
STANDARD STATIC DRIVE					
TAP	EXTERNAL STATIC PRESSURE (ESP) in w.c	AIRFLOW (CFM)	RPM	WATTS	BHP
T1 *	0.1	1910	800	455	0.50
	0.2	1860	820	467	0.52
	0.3	1815	850	481	0.53
	0.4	1770	875	498	0.55
	0.5	1730	900	509	0.57
	0.6	1680	925	523	0.58
	0.7	1640	955	536	0.60
	0.8	1595	985	552	0.62
T2	0.1	2075	850	566	0.63
	0.2	2035	880	580	0.65
	0.3	1985	900	594	0.66
	0.4	1945	920	611	0.68
	0.5	1900	945	626	0.70
	0.6	1865	970	640	0.72
	0.7	1825	995	654	0.73
	0.8	1785	1020	669	0.75
T3 **	0.1	2085	855	573	0.63
	0.2	2045	885	587	0.66
	0.3	1995	905	602	0.67
	0.4	1955	925	619	0.69
	0.5	1910	950	634	0.71
	0.6	1875	975	648	0.72
	0.7	1840	1000	662	0.74
	0.8	1795	1025	677	0.76
T4	0.1	2000	825	513	0.57
	0.2	1955	850	526	0.58
	0.3	1905	880	541	0.60
	0.4	1865	905	557	0.62
	0.5	1825	925	570	0.63
	0.6	1785	950	584	0.65
	0.7	1745	980	598	0.67
	0.8	1700	1000	614	0.69
T5	0.1	2350	955	817	0.91
	0.2	2305	975	835	0.93
	0.3	2260	1000	851	0.95
	0.4	2225	1020	867	0.97
	0.5	2185	1040	887	0.99
	0.6	2145	1065	902	1.01
	0.7	2105	1085	903	1.03
	0.8	2060	1095	903	1.04

*VALUES ARE FOR FAN MODE ONLY
 **VALUES ARE FOR HEAT MODE ONLY

APPENDIX A BLOWER PERFORMANCE TABLES

DSG0604D 90K DOWNSHOT					
STANDARD STATIC DRIVE					
TAP	EXTERNAL STATIC PRESSURE (ESP) in w.c	AIRFLOW (CFM)	RPM	WATTS	BHP
T1 *	0.1	950	550	103	0.11
	0.2	895	575	110	0.11
	0.3	820	625	118	0.12
	0.4	770	670	120	0.13
	0.5	705	710	139	0.14
	0.6	650	755	145	0.15
	0.7	570	815	159	0.16
	0.8	500	840	164	0.16
T2	0.1	1990	895	575	0.64
	0.2	1960	915	587	0.65
	0.3	1905	940	605	0.67
	0.4	1870	970	619	0.69
	0.5	1845	985	628	0.70
	0.6	1795	1015	647	0.72
	0.7	1760	1040	660	0.74
	0.8	1725	1060	671	0.76
T3 **	0.1	1035	575	128	0.13
	0.2	985	600	136	0.14
	0.3	910	650	144	0.15
	0.4	860	695	147	0.16
	0.5	805	730	165	0.17
	0.6	750	775	172	0.18
	0.7	670	830	185	0.19
	0.8	605	855	192	0.20
T4	0.1	1975	890	565	0.63
	0.2	1945	910	576	0.64
	0.3	1890	935	594	0.66
	0.4	1855	965	608	0.68
	0.5	1830	980	617	0.69
	0.6	1780	1010	636	0.71
	0.7	1745	1035	649	0.73
	0.8	1705	1055	660	0.74
T5	0.1	2245	980	797	0.88
	0.2	2210	1000	807	0.89
	0.3	2170	1025	830	0.92
	0.4	2135	1050	847	0.94
	0.5	2115	1065	855	0.95
	0.6	2070	1095	878	0.98
	0.7	2040	1115	892	1.00
	0.8	2005	1130	902	1.01

DSG0604D 90K HORIZONTAL					
STANDARD STATIC DRIVE					
TAP	EXTERNAL STATIC PRESSURE (ESP) in w.c	AIRFLOW (CFM)	RPM	WATTS	BHP
T1 *	0.1	980	525	97	0.10
	0.2	920	545	105	0.11
	0.3	845	595	112	0.11
	0.4	795	635	114	0.12
	0.5	725	675	132	0.13
	0.6	670	715	137	0.14
	0.7	585	775	151	0.15
	0.8	515	800	156	0.15
T2	0.1	2050	850	547	0.61
	0.2	2020	870	557	0.62
	0.3	1960	895	574	0.64
	0.4	1925	920	587	0.66
	0.5	1900	935	596	0.67
	0.6	1850	965	615	0.69
	0.7	1810	990	626	0.71
	0.8	1775	1005	637	0.72
T3 **	0.1	1065	545	121	0.13
	0.2	1015	570	129	0.13
	0.3	935	620	137	0.14
	0.4	885	660	140	0.15
	0.5	830	695	157	0.16
	0.6	775	735	163	0.17
	0.7	690	790	176	0.18
	0.8	625	810	182	0.19
T4	0.1	2035	845	537	0.60
	0.2	2005	865	547	0.61
	0.3	1945	890	564	0.63
	0.4	1910	915	577	0.64
	0.5	1885	930	586	0.66
	0.6	1835	960	605	0.68
	0.7	1795	985	616	0.69
	0.8	1755	1000	627	0.70
T5	0.1	2310	930	757	0.83
	0.2	2275	950	767	0.85
	0.3	2235	975	788	0.87
	0.4	2200	1000	804	0.89
	0.5	2180	1010	812	0.90
	0.6	2130	1040	834	0.93
	0.7	2100	1060	848	0.95
	0.8	2065	1075	857	0.96

*VALUES ARE FOR FAN MODE ONLY
 **VALUES ARE FOR HEAT MODE ONLY

APPENDIX A BLOWER PERFORMANCE TABLES

DSG0604D 115K DOWNSHOT					
STANDARD STATIC DRIVE					
TAP	EXTERNAL STATIC PRESSURE (ESP) in w.c	AIRFLOW (CFM)	RPM	WATTS	BHP
T1 *	0.1	1055	585	134	0.14
	0.2	1010	610	142	0.15
	0.3	930	655	150	0.16
	0.4	885	700	154	0.17
	0.5	825	735	171	0.17
	0.6	770	780	179	0.19
	0.7	695	835	192	0.20
	0.8	630	860	199	0.20
T2	0.1	2015	900	564	0.63
	0.2	1990	925	575	0.64
	0.3	1930	945	593	0.66
	0.4	1895	970	607	0.68
	0.5	1870	990	616	0.69
	0.6	1825	1015	636	0.71
	0.7	1790	1045	648	0.73
	0.8	1750	1060	660	0.75
T3 **	0.1	1425	705	265	0.29
	0.2	1390	730	276	0.30
	0.3	1315	765	287	0.31
	0.4	1275	805	295	0.33
	0.5	1235	830	308	0.34
	0.6	1180	865	320	0.35
	0.7	1125	905	332	0.37
	0.8	1070	930	342	0.38
T4	0.1	1975	890	565	0.63
	0.2	1945	910	576	0.64
	0.3	1890	935	594	0.66
	0.4	1855	965	608	0.68
	0.5	1830	980	617	0.69
	0.6	1780	1010	636	0.71
	0.7	1745	1035	649	0.73
	0.8	1705	1055	660	0.74
T5	0.1	2245	980	797	0.88
	0.2	2210	1000	807	0.89
	0.3	2170	1025	830	0.92
	0.4	2135	1050	847	0.94
	0.5	2115	1065	855	0.95
	0.6	2070	1095	878	0.98
	0.7	2040	1115	892	1.00
	0.8	2005	1130	902	1.01

DSG0604D 115K HORIZONTAL					
STANDARD STATIC DRIVE					
TAP	EXTERNAL STATIC PRESSURE (ESP) in w.c	AIRFLOW (CFM)	RPM	WATTS	BHP
T1 *	0.1	1085	555	127	0.13
	0.2	1040	580	135	0.14
	0.3	960	620	143	0.15
	0.4	910	665	146	0.16
	0.5	850	700	163	0.17
	0.6	795	740	170	0.18
	0.7	715	795	182	0.19
	0.8	650	815	189	0.19
T2	0.1	2070	855	536	0.60
	0.2	2050	875	547	0.61
	0.3	1990	900	563	0.63
	0.4	1950	925	577	0.65
	0.5	1925	940	585	0.66
	0.6	1880	965	604	0.68
	0.7	1845	990	615	0.70
	0.8	1800	1010	626	0.71
T3 **	0.1	1470	670	252	0.27
	0.2	1430	695	262	0.28
	0.3	1355	725	273	0.29
	0.4	1315	765	280	0.31
	0.5	1270	790	292	0.32
	0.6	1215	820	304	0.33
	0.7	1160	860	316	0.35
	0.8	1100	885	325	0.36
T4	0.1	2035	845	537	0.60
	0.2	2005	865	547	0.61
	0.3	1945	890	564	0.63
	0.4	1910	915	577	0.64
	0.5	1885	930	586	0.66
	0.6	1835	960	605	0.68
	0.7	1795	985	616	0.69
	0.8	1755	1000	627	0.70
T5	0.1	2310	930	757	0.83
	0.2	2275	950	767	0.85
	0.3	2235	975	788	0.87
	0.4	2200	1000	804	0.89
	0.5	2180	1010	812	0.90
	0.6	2130	1040	834	0.93
	0.7	2100	1060	848	0.95
	0.8	2065	1075	857	0.96

*VALUES ARE FOR FAN MODE ONLY

**VALUES ARE FOR HEAT MODE ONLY

APPENDIX A BLOWER PERFORMANCE TABLES

DSG0604D / DSG0607D 140K DOWNSHOT					
STANDARD STATIC DRIVE					
TAP	EXTERNAL STATIC PRESSURE (ESP) in w.c	AIRFLOW (CFM)	RPM	WATTS	BHP
T1 *	0.1	1835	840	471	0.52
	0.2	1805	865	482	0.54
	0.3	1740	890	498	0.55
	0.4	1705	920	510	0.57
	0.5	1680	940	520	0.58
	0.6	1630	970	538	0.60
	0.7	1590	1000	550	0.62
	0.8	1545	1020	561	0.63
T2	0.1	1990	895	576	0.64
	0.2	1960	915	587	0.65
	0.3	1905	940	605	0.67
	0.4	1870	970	619	0.69
	0.5	1845	985	628	0.70
	0.6	1800	1015	648	0.72
	0.7	1765	1040	660	0.74
	0.8	1720	1060	672	0.76
T3 **	0.1	1990	895	576	0.64
	0.2	1960	915	587	0.65
	0.3	1905	940	605	0.67
	0.4	1870	970	619	0.69
	0.5	1845	985	628	0.70
	0.6	1800	1015	648	0.72
	0.7	1765	1040	660	0.74
	0.8	1720	1060	672	0.76
T4	0.1	1975	890	565	0.63
	0.2	1945	910	576	0.64
	0.3	1890	935	594	0.66
	0.4	1855	965	608	0.68
	0.5	1830	980	617	0.69
	0.6	1780	1010	636	0.71
	0.7	1745	1035	649	0.73
	0.8	1705	1055	660	0.74
T5	0.1	2245	980	797	0.88
	0.2	2210	1000	807	0.89
	0.3	2170	1025	830	0.92
	0.4	2135	1050	847	0.94
	0.5	2115	1065	855	0.95
	0.6	2070	1095	878	0.98
	0.7	2040	1115	892	1.00
	0.8	2005	1130	902	1.01

DSG0604D / DSG0607D 140K HORIZONTAL					
STANDARD STATIC DRIVE					
TAP	EXTERNAL STATIC PRESSURE (ESP) in w.c	AIRFLOW (CFM)	RPM	WATTS	BHP
T1 *	0.1	1890	800	447	0.50
	0.2	1860	820	458	0.51
	0.3	1790	845	473	0.52
	0.4	1755	875	485	0.54
	0.5	1730	895	494	0.55
	0.6	1680	920	511	0.57
	0.7	1640	950	522	0.59
	0.8	1590	970	533	0.60
T2	0.1	2050	850	547	0.61
	0.2	2020	870	558	0.62
	0.3	1960	895	575	0.64
	0.4	1925	920	588	0.66
	0.5	1900	935	597	0.67
	0.6	1855	965	615	0.69
	0.7	1820	990	627	0.71
	0.8	1770	1005	638	0.72
T3 **	0.1	2050	850	547	0.61
	0.2	2020	870	558	0.62
	0.3	1960	895	575	0.64
	0.4	1925	920	588	0.66
	0.5	1900	935	597	0.67
	0.6	1855	965	615	0.69
	0.7	1820	990	627	0.71
	0.8	1770	1005	638	0.72
T4	0.1	2035	845	537	0.60
	0.2	2005	865	547	0.61
	0.3	1945	890	564	0.63
	0.4	1910	915	577	0.64
	0.5	1885	930	586	0.66
	0.6	1835	960	605	0.68
	0.7	1795	985	616	0.69
	0.8	1755	1000	627	0.70
T5	0.1	2310	930	757	0.83
	0.2	2275	950	767	0.85
	0.3	2235	975	788	0.87
	0.4	2200	1000	804	0.89
	0.5	2180	1010	812	0.90
	0.6	2130	1040	834	0.93
	0.7	2100	1060	848	0.95
	0.8	2065	1075	857	0.96

*VALUES ARE FOR FAN MODE ONLY
 **VALUES ARE FOR HEAT MODE ONLY

APPENDIX A BLOWER PERFORMANCE TABLES

DSG0603W / DSG0604W 90K DOWNSHOT HIGH STATIC DRIVE					
TAP	EXTERNAL STATIC PRESSURE (ESP) in w.c	AIRFLOW (CFM)	RPM	WATTS	BHP
T1 *	0.8	1095	940	359	0.28
	0.9	1045	980	376	0.29
	1	985	1015	389	0.30
	1.1	925	1055	401	0.31
	1.2	880	1085	412	0.32
	1.3	825	1115	421	0.33
	1.4	750	1165	496	0.35
	1.5	670	1195	512	0.36
	1.6	585	1235	464	0.37
	1.7	535	1260	472	0.38
1.8	490	1290	481	0.39	
T2	0.8	1905	1160	918	0.97
	0.9	1870	1185	936	0.99
	1	1835	1210	956	1.01
	1.1	1800	1235	975	1.03
	1.2	1760	1265	995	1.05
	1.3	1720	1290	1015	1.07
	1.4	1675	1315	1038	1.09
	1.5	1630	1335	1055	1.11
	1.6	1585	1365	1068	1.14
	1.7	1545	1390	1087	1.16
1.8	1505	1410	1105	1.17	
T3 **	0.8	1325	1000	476	0.44
	0.9	1275	1035	492	0.46
	1	1230	1070	507	0.47
	1.1	1175	1100	521	0.48
	1.2	1130	1130	536	0.50
	1.3	1085	1165	548	0.51
	1.4	1015	1205	604	0.53
	1.5	945	1230	620	0.54
	1.6	875	1270	594	0.56
	1.7	830	1290	604	0.57
1.8	780	1320	616	0.58	
T4	0.8	2035	1195	1049	1.11
	0.9	2000	1215	1068	1.13
	1	1965	1240	1089	1.15
	1.1	1930	1270	1109	1.18
	1.2	1900	1295	1131	1.20
	1.3	1860	1315	1152	1.22
	1.4	1815	1340	1171	1.24
	1.5	1775	1365	1188	1.27
	1.6	1740	1390	1208	1.29
	1.7	1700	1410	1228	1.31
1.8	1660	1435	1247	1.33	
T5	0.8	1445	1030	549	0.53
	0.9	1405	1065	566	0.55
	1	1355	1100	583	0.57
	1.1	1310	1125	598	0.58
	1.2	1260	1160	614	0.60
	1.3	1220	1190	628	0.62
	1.4	1155	1225	676	0.64
	1.5	1090	1255	692	0.65
	1.6	1030	1285	675	0.67
	1.7	980	1310	687	0.68
1.8	935	1335	701	0.69	

DSG0603W / DSG0604W 90K DOWNSHOT HIGH STATIC DRIVE					
TAP	EXTERNAL STATIC PRESSURE (ESP) in w.c	AIRFLOW (CFM)	RPM	WATTS	BHP
T1' *	0.8	1250.00	980.00	435.00	0.38
	0.9	1200.00	1015.00	451.00	0.40
	1	1145.00	1055.00	466.00	0.41
	1.1	1095.00	1085.00	479.00	0.43
	1.2	1050.00	1115.00	492.00	0.44
	1.3	995.00	1145.00	503.00	0.45
	1.4	925.00	1190.00	565.00	0.47
	1.5	860.00	1220.00	581.00	0.48
	1.6	775.00	1260.00	548.00	0.49
	1.7	735.00	1280.00	558.00	0.50
1.8	690.00	1305.00	568.00	0.51	
T2'	0.8	2095	1210	1120	1.18
	0.9	2065	1235	1139	1.20
	1	2030	1260	1160	1.23
	1.1	2000	1285	1181	1.25
	1.2	1960	1310	1202	1.28
	1.3	1925	1330	1223	1.30
	1.4	1885	1355	1241	1.32
	1.5	1845	1380	1260	1.34
	1.6	1810	1400	1282	1.36
	1.7	1765	1420	1302	1.38
1.8	1735	1445	1322	1.41	
T3' **	0.8	1565	1065	632	0.64
	0.9	1525	1095	648	0.65
	1	1480	1125	665	0.67
	1.1	1435	1160	682	0.69
	1.2	1395	1185	699	0.71
	1.3	1350	1215	715	0.73
	1.4	1290	1245	755	0.74
	1.5	1240	1275	771	0.76
	1.6	1175	1305	763	0.78
	1.7	1130	1325	778	0.79
1.8	1085	1355	792	0.81	
T4'	0.8	2445	1315	1593	1.65
	0.9	2415	1335	1615	1.68
	1	2390	1360	1637	1.71
	1.1	2360	1380	1661	1.73
	1.2	2330	1400	1683	1.76
	1.3	2295	1420	1705	1.78
	1.4	2255	1435	1723	1.80
	1.5	2230	1460	1746	1.83
	1.6	2195	1480	1774	1.86
	1.7	2165	1500	1798	1.88
1.8	2125	1500	1822	1.88	
T5'	0.8	2445	1315	1593	1.65
	0.9	2415	1335	1615	1.68
	1	2390	1360	1637	1.71
	1.1	2360	1380	1661	1.73
	1.2	2330	1400	1683	1.76
	1.3	2295	1420	1705	1.78
	1.4	2255	1435	1723	1.80
	1.5	2230	1460	1746	1.83
	1.6	2195	1480	1774	1.86
	1.7	2165	1500	1798	1.88
1.8	2125	1500	1822	1.88	

*VALUES ARE FOR FAN MODE ONLY
**VALUES ARE FOR HEAT MODE ONLY

APPENDIX A BLOWER PERFORMANCE TABLES

DSG0603W / DSG0604W 90K HORIZONTAL HIGH STATIC DRIVE					
TAP	EXTERNAL STATIC PRESSURE (ESP) in w.c	AIRFLOW (CFM)	RPM	WATTS	BHP
T1 *	0.8	1130	895	341	0.27
	0.9	1075	930	357	0.28
	1.0	1015	965	370	0.29
	1.1	955	1000	381	0.30
	1.2	905	1030	391	0.31
	1.3	850	1060	400	0.32
	1.4	775	1105	471	0.33
	1.5	690	1135	486	0.34
	1.6	600	1175	441	0.35
	1.7	550	1195	448	0.36
1.8	505	1225	457	0.37	
T2	0.8	1960	1100	872	0.92
	0.9	1925	1125	889	0.94
	1.0	1890	1150	908	0.96
	1.1	1855	1175	926	0.98
	1.2	1815	1200	945	1.00
	1.3	1770	1225	964	1.02
	1.4	1725	1250	986	1.04
	1.5	1680	1270	1002	1.06
	1.6	1635	1295	1015	1.08
	1.7	1590	1320	1033	1.10
1.8	1550	1340	1050	1.12	
T3 **	0.8	1365	950	452	0.42
	0.9	1315	985	467	0.43
	1.0	1265	1015	482	0.45
	1.1	1210	1045	495	0.46
	1.2	1165	1075	509	0.47
	1.3	1115	1105	521	0.49
	1.4	1045	1145	574	0.50
	1.5	975	1170	589	0.51
	1.6	900	1205	564	0.53
	1.7	855	1225	574	0.54
1.8	805	1255	585	0.55	
T4	0.8	2095	1135	997	1.05
	0.9	2060	1155	1015	1.07
	1.0	2025	1180	1035	1.09
	1.1	1990	1205	1054	1.12
	1.2	1955	1230	1074	1.14
	1.3	1915	1250	1094	1.16
	1.4	1870	1275	1112	1.18
	1.5	1830	1295	1129	1.20
	1.6	1790	1320	1148	1.22
	1.7	1750	1340	1167	1.24
1.8	1710	1365	1185	1.27	
T5	0.8	1490	980	522	0.51
	0.9	1445	1010	538	0.52
	1.0	1395	1045	554	0.54
	1.1	1350	1070	568	0.55
	1.2	1300	1100	583	0.57
	1.3	1255	1130	597	0.59
	1.4	1190	1165	642	0.60
	1.5	1125	1190	657	0.62
	1.6	1060	1220	641	0.63
	1.7	1010	1245	653	0.65
1.8	965	1270	666	0.66	

DSG0603W / DSG0604W 90K HORIZONTAL HIGH STATIC DRIVE					
TAP	EXTERNAL STATIC PRESSURE (ESP) in w.c	AIRFLOW (CFM)	RPM	WATTS	BHP
T1'	0.8	1285	930	413	0.37
	0.9	1235	965	428	0.38
	1.0	1180	1000	443	0.39
	1.1	1130	1030	455	0.40
	1.2	1080	1060	467	0.42
	1.3	1025	1090	478	0.43
	1.4	955	1130	537	0.44
	1.5	885	1160	552	0.46
	1.6	800	1195	521	0.47
	1.7	755	1215	530	0.48
1.8	710	1240	540	0.49	
T2'	0.8	2160	1150	1064	1.12
	0.9	2125	1175	1082	1.14
	1.0	2090	1195	1102	1.16
	1.1	2060	1220	1122	1.19
	1.2	2020	1245	1142	1.21
	1.3	1985	1265	1162	1.23
	1.4	1940	1285	1179	1.25
	1.5	1900	1310	1197	1.28
	1.6	1865	1330	1218	1.30
	1.7	1820	1350	1237	1.31
1.8	1785	1375	1256	1.34	
T3'	0.8	1610	1010	600	0.60
	0.9	1570	1040	616	0.62
	1.0	1525	1070	632	0.64
	1.1	1480	1100	648	0.66
	1.2	1435	1125	664	0.67
	1.3	1390	1155	679	0.69
	1.4	1330	1185	717	0.71
	1.5	1275	1210	732	0.72
	1.6	1210	1240	725	0.74
	1.7	1165	1260	739	0.75
1.8	1120	1285	752	0.77	
T4'	0.8	-	-	-	-
	0.9	2490	1270	1534	1.60
	1.0	2460	1290	1555	1.62
	1.1	2430	1310	1578	1.65
	1.2	2400	1330	1599	1.67
	1.3	2365	1350	1620	1.70
	1.4	2325	1365	1637	1.72
	1.5	2295	1385	1659	1.74
	1.6	2260	1405	1685	1.77
	1.7	2230	1425	1708	1.79
1.8	2190	1445	1731	1.82	
T5'	0.8	-	-	-	-
	0.9	2490	1270	1534	1.60
	1.0	2460	1290	1555	1.62
	1.1	2430	1310	1578	1.65
	1.2	2400	1330	1599	1.67
	1.3	2365	1350	1620	1.70
	1.4	2325	1365	1637	1.72
	1.5	2295	1385	1659	1.74
	1.6	2260	1405	1685	1.77
	1.7	2230	1425	1708	1.79
1.8	2190	1445	1731	1.82	

*VALUES ARE FOR FAN MODE ONLY
**VALUES ARE FOR HEAT MODE ONLY

APPENDIX A BLOWER PERFORMANCE TABLES

DSG0603W / DSG0604W 115K DOWNSHOT					
HIGH STATIC DRIVE					
TAP	EXTERNAL STATIC PRESSURE (ESP) in w.c	AIRFLOW (CFM)	RPM	WATTS	BHP
T1 *	0.8	1290	990	458	0.42
	0.9	1245	1025	475	0.43
	1.0	1195	1065	489	0.45
	1.1	1140	1095	503	0.46
	1.2	1095	1125	517	0.47
	1.3	1045	1160	529	0.49
	1.4	980	1200	588	0.50
	1.5	910	1225	603	0.51
	1.6	835	1265	574	0.53
	1.7	785	1290	585	0.54
1.8	745	1315	596	0.55	
T2	0.8	1905	1160	918	0.97
	0.9	1870	1185	936	0.99
	1.0	1835	1210	956	1.01
	1.1	1800	1235	975	1.03
	1.2	1760	1265	995	1.05
	1.3	1720	1290	1015	1.07
	1.4	1675	1315	1038	1.09
	1.5	1630	1335	1055	1.11
	1.6	1585	1365	1068	1.14
	1.7	1545	1390	1087	1.16
1.8	1505	1410	1105	1.17	
T3 **	0.8	1510	1045	593	0.59
	0.9	1465	1080	609	0.61
	1.0	1420	1115	626	0.62
	1.1	1380	1140	642	0.64
	1.2	1335	1175	659	0.66
	1.3	1285	1200	674	0.67
	1.4	1230	1235	717	0.69
	1.5	1170	1265	733	0.71
	1.6	1105	1295	721	0.73
	1.7	1065	1320	735	0.74
1.8	1020	1345	748	0.75	
T4	0.8	2035	1195	1049	1.11
	0.9	2000	1215	1068	1.13
	1.0	1965	1240	1089	1.15
	1.1	1930	1270	1109	1.18
	1.2	1900	1295	1131	1.20
	1.3	1860	1315	1152	1.22
	1.4	1815	1340	1171	1.24
	1.5	1775	1365	1188	1.27
	1.6	1740	1390	1208	1.29
	1.7	1700	1410	1228	1.31
1.8	1660	1435	1247	1.33	
T5	0.8	1610	1075	665	0.68
	0.9	1575	1105	683	0.69
	1.0	1530	1135	701	0.71
	1.1	1490	1170	718	0.74
	1.2	1445	1195	735	0.75
	1.3	1400	1225	752	0.77
	1.4	1345	1260	788	0.79
	1.5	1290	1285	804	0.81
	1.6	1235	1310	800	0.82
	1.7	1190	1335	816	0.84
1.8	1150	1365	831	0.86	

DSG0603W / DSG0604W 115K DOWNSHOT					
HIGH STATIC DRIVE					
TAP	EXTERNAL STATIC PRESSURE (ESP) in w.c	AIRFLOW (CFM)	RPM	WATTS	BHP
T1'	0.8	1400	1020	519	0.50
	0.9	1350	1055	536	0.51
	1.0	1305	1090	553	0.53
	1.1	1255	1115	566	0.54
	1.2	1215	1145	581	0.56
	1.3	1160	1180	595	0.57
	1.4	1100	1215	646	0.59
	1.5	1035	1240	662	0.60
	1.6	965	1280	642	0.62
	1.7	920	1305	654	0.64
1.8	880	1330	666	0.65	
T2'	0.8	2095	1210	1120	1.18
	0.9	2065	1235	1139	1.20
	1.0	2030	1260	1160	1.23
	1.1	2000	1285	1181	1.25
	1.2	1960	1310	1202	1.28
	1.3	1925	1330	1223	1.30
	1.4	1885	1355	1241	1.32
	1.5	1845	1380	1260	1.34
	1.6	1810	1400	1282	1.36
	1.7	1765	1420	1302	1.38
1.8	1735	1445	1322	1.41	
T3'	0.8	1730	1105	757	0.78
	0.9	1690	1135	775	0.80
	1.0	1650	1170	793	0.83
	1.1	1610	1195	811	0.84
	1.2	1570	1220	829	0.86
	1.3	1525	1245	847	0.88
	1.4	1475	1280	878	0.90
	1.5	1425	1305	895	0.92
	1.6	1375	1330	898	0.94
	1.7	1330	1360	915	0.96
1.8	1290	1380	931	0.98	
T4'	0.8	2445	1315	1593	1.65
	0.9	2415	1335	1615	1.68
	1.0	2390	1360	1637	1.71
	1.1	2360	1380	1661	1.73
	1.2	2330	1400	1683	1.76
	1.3	2295	1420	1705	1.78
	1.4	2255	1435	1723	1.80
	1.5	2230	1460	1746	1.83
	1.6	2195	1480	1774	1.86
	1.7	2165	1500	1798	1.88
1.8	2125	1500	1822	1.88	
T5'	0.8	2445	1315	1593	1.65
	0.9	2415	1335	1615	1.68
	1.0	2390	1360	1637	1.71
	1.1	2360	1380	1661	1.73
	1.2	2330	1400	1683	1.76
	1.3	2295	1420	1705	1.78
	1.4	2255	1435	1723	1.80
	1.5	2230	1460	1746	1.83
	1.6	2195	1480	1774	1.86
	1.7	2165	1500	1798	1.88
1.8	2125	1500	1822	1.88	

*VALUES ARE FOR FAN MODE ONLY
 **VALUES ARE FOR HEAT MODE ONLY

APPENDIX A BLOWER PERFORMANCE TABLES

DSG0603W / DSG0604W 115K HORIZONTAL HIGH STATIC DRIVE					
TAP	EXTERNAL STATIC PRESSURE (ESP) in w.c	AIRFLOW (CFM)	RPM	WATTS	BHP
T1 *	0.8	1330	940	435	0.39
	0.9	1280	975	451	0.41
	1.0	1230	1010	465	0.42
	1.1	1175	1040	478	0.44
	1.2	1130	1070	491	0.45
	1.3	1075	1100	503	0.46
	1.4	1010	1140	559	0.48
	1.5	935	1165	573	0.49
	1.6	860	1200	545	0.50
	1.7	810	1225	556	0.51
T2	1.8	765	1250	566	0.53
	0.8	1960	1100	872	0.92
	0.9	1925	1125	889	0.94
	1.0	1890	1150	908	0.96
	1.1	1855	1175	926	0.98
	1.2	1815	1200	945	1.00
	1.3	1770	1225	964	1.02
	1.4	1725	1250	986	1.04
	1.5	1680	1270	1002	1.06
	1.6	1635	1295	1015	1.08
T3 **	1.7	1590	1320	1033	1.10
	1.8	1550	1340	1050	1.12
	0.8	1555	995	563	0.56
	0.9	1510	1025	579	0.57
	1.0	1465	1060	595	0.59
	1.1	1420	1085	610	0.61
	1.2	1375	1115	626	0.62
	1.3	1325	1140	640	0.64
	1.4	1265	1175	681	0.66
	1.5	1205	1200	696	0.67
T4	1.6	1140	1230	685	0.69
	1.7	1095	1255	698	0.70
	1.8	1050	1280	711	0.72
	0.8	2095	1135	997	1.05
	0.9	2060	1155	1015	1.07
	1.0	2025	1180	1035	1.09
	1.1	1990	1205	1054	1.12
	1.2	1955	1230	1074	1.14
	1.3	1915	1250	1094	1.16
	1.4	1870	1275	1112	1.18
T5	1.5	1830	1295	1129	1.20
	1.6	1790	1320	1148	1.22
	1.7	1750	1340	1167	1.24
	1.8	1710	1365	1185	1.27
	0.8	1660	1020	632	0.64
	0.9	1620	1050	649	0.66
	1.0	1575	1080	666	0.68
	1.1	1535	1110	682	0.70
	1.2	1490	1135	698	0.71
	1.3	1440	1165	714	0.73
T5	1.4	1385	1195	749	0.75
	1.5	1330	1220	764	0.77
	1.6	1270	1245	760	0.78
	1.7	1225	1270	775	0.80
	1.8	1185	1295	789	0.81

DSG0603W / DSG0604W 115K HORIZONTAL HIGH STATIC DRIVE					
TAP	EXTERNAL STATIC PRESSURE (ESP) in w.c	AIRFLOW (CFM)	RPM	WATTS	BHP
T1' *	0.8	1440	970	493	0.47
	0.9	1390	1000	509	0.49
	1.0	1345	1035	525	0.50
	1.1	1295	1060	538	0.52
	1.2	1250	1090	552	0.53
	1.3	1195	1120	565	0.55
	1.4	1135	1155	614	0.56
	1.5	1065	1180	629	0.57
	1.6	995	1215	610	0.59
	1.7	950	1240	621	0.60
T2'	1.8	905	1265	633	0.62
	0.8	2160	1150	1064	1.12
	0.9	2125	1175	1082	1.14
	1.0	2090	1195	1102	1.16
	1.1	2060	1220	1122	1.19
	1.2	2020	1245	1142	1.21
	1.3	1985	1265	1162	1.23
	1.4	1940	1285	1179	1.25
	1.5	1900	1310	1197	1.28
	1.6	1865	1330	1218	1.30
T3' **	1.7	1820	1350	1237	1.31
	1.8	1785	1375	1256	1.34
	0.8	1780	1050	719	0.74
	0.9	1740	1080	736	0.76
	1.0	1700	1110	753	0.78
	1.1	1660	1135	770	0.80
	1.2	1615	1160	788	0.82
	1.3	1570	1185	805	0.84
	1.4	1520	1215	834	0.86
	1.5	1470	1240	850	0.88
T4'	1.6	1415	1265	853	0.89
	1.7	1370	1290	869	0.91
	1.8	1330	1310	884	0.93
	0.8	-	-	-	-
	0.9	2490	1270	1534	1.60
	1.0	2460	1290	1555	1.62
	1.1	2430	1310	1578	1.65
	1.2	2400	1330	1599	1.67
	1.3	2365	1350	1620	1.70
	1.4	2325	1365	1637	1.72
T5'	1.5	2295	1385	1659	1.74
	1.6	2260	1405	1685	1.77
	1.7	2230	1425	1708	1.79
	1.8	2190	1445	1731	1.82
	0.8	-	-	-	-
	0.9	2490	1270	1534	1.60
	1.0	2460	1290	1555	1.62
	1.1	2430	1310	1578	1.65
	1.2	2400	1330	1599	1.67
	1.3	2365	1350	1620	1.70
T5'	1.4	2325	1365	1637	1.72
	1.5	2295	1385	1659	1.74
	1.6	2260	1405	1685	1.77
	1.7	2230	1425	1708	1.79
	1.8	2190	1445	1731	1.82

*VALUES ARE FOR FAN MODE ONLY
**VALUES ARE FOR HEAT MODE ONLY

APPENDIX A BLOWER PERFORMANCE TABLES

DSG0601D 80K ULN DOWNSHOT					
STANDARD STATIC DRIVE					
TAP	EXTERNAL STATIC PRESSURE (ESP) in w.c	AIRFLOW (CFM)	RPM	WATTS	BHP
T1 *	0.1	1075	575	137	0.14
	0.2	1015	615	144	0.15
	0.3	960	655	154	0.16
	0.4	925	705	162	0.17
	0.5	840	745	173	0.18
	0.6	-	-	-	-
	0.7	-	-	-	-
	0.8	-	-	-	-
T2	0.1	1995	900	591	0.65
	0.2	1955	925	606	0.67
	0.3	1910	955	621	0.69
	0.4	1870	975	639	0.71
	0.5	1830	1000	653	0.73
	0.6	1800	1025	669	0.75
	0.7	1765	1050	684	0.77
	0.8	1720	1075	701	0.79
T3 **	0.1	1635	770	366	0.40
	0.2	1585	800	377	0.41
	0.3	1540	830	390	0.43
	0.4	1495	860	406	0.44
	0.5	1450	890	417	0.46
	0.6	1395	920	431	0.47
	0.7	1345	955	442	0.49
	0.8	1295	985	458	0.51
T4	0.1	2200	980	799	0.89
	0.2	2155	1005	817	0.91
	0.3	2115	1030	833	0.93
	0.4	2075	1050	850	0.95
	0.5	2040	1075	870	0.97
	0.6	2005	1100	885	0.99
	0.7	1965	1120	903	1.01
	0.8	1925	1140	915	1.03
T5	0.1	2250	1005	860	0.96
	0.2	2205	1025	879	0.98
	0.3	2165	1050	896	1.00
	0.4	2130	1075	913	1.02
	0.5	2090	1095	934	1.04
	0.6	2055	1120	949	1.07
	0.7	2015	1140	950	1.09
	0.8	1970	1155	950	1.10

DSG0601D 80K ULN HORIZONTAL					
STANDARD STATIC DRIVE					
TAP	EXTERNAL STATIC PRESSURE (ESP) in w.c	AIRFLOW (CFM)	RPM	WATTS	BHP
T1 *	0.1	1125	545	130	0.13
	0.2	1060	585	137	0.14
	0.3	1005	620	146	0.15
	0.4	965	670	154	0.16
	0.5	880	710	164	0.17
	0.6	-	-	-	-
	0.7	-	-	-	-
	0.8	-	-	-	-
T2	0.1	2085	855	561	0.62
	0.2	2040	875	575	0.64
	0.3	1990	905	591	0.66
	0.4	1955	930	607	0.68
	0.5	1915	950	621	0.69
	0.6	1880	970	635	0.71
	0.7	1845	1000	650	0.73
	0.8	1800	1020	666	0.75
T3 **	0.1	1710	730	348	0.38
	0.2	1655	760	358	0.39
	0.3	1610	790	371	0.41
	0.4	1560	815	386	0.42
	0.5	1515	845	396	0.43
	0.6	1460	875	409	0.45
	0.7	1405	905	420	0.47
	0.8	1355	935	435	0.48
T4	0.1	2300	930	759	0.84
	0.2	2250	955	776	0.86
	0.3	2210	980	791	0.89
	0.4	2170	1000	808	0.90
	0.5	2130	1020	827	0.92
	0.6	2095	1045	841	0.95
	0.7	2055	1065	858	0.96
	0.8	2010	1085	869	0.98
T5	0.1	2350	955	817	0.91
	0.2	2305	975	835	0.93
	0.3	2260	1000	851	0.95
	0.4	2225	1020	867	0.97
	0.5	2185	1040	887	0.99
	0.6	2145	1065	902	1.01
	0.7	2105	1085	903	1.03
	0.8	2060	1095	903	1.04

*VALUES ARE FOR FAN MODE ONLY

**VALUES ARE FOR HEAT MODE ONLY

APPENDIX A BLOWER PERFORMANCE TABLES

DSG0601D 100K ULN DOWNSHOT					
STANDARD STATIC DRIVE					
TAP	EXTERNAL STATIC PRESSURE (ESP) in w.c	AIRFLOW (CFM)	RPM	WATTS	BHP
T1 *	0.1	1075	575	137	0.14
	0.2	1015	615	144	0.15
	0.3	960	655	154	0.16
	0.4	925	705	162	0.17
	0.5	840	745	173	0.18
	0.6	-	-	-	-
	0.7	-	-	-	-
	0.8	-	-	-	-
T2	0.1	1990	900	593	0.66
	0.2	1945	915	609	0.67
	0.3	1900	955	624	0.70
	0.4	1860	980	641	0.72
	0.5	1820	995	656	0.73
	0.6	1795	1020	670	0.75
	0.7	1755	1050	686	0.77
	0.8	1710	1075	703	0.79
T3 **	0.1	1860	850	502	0.55
	0.2	1815	880	515	0.57
	0.3	1770	905	530	0.59
	0.4	1730	930	547	0.60
	0.5	1690	960	560	0.62
	0.6	1650	985	576	0.64
	0.7	1610	1015	588	0.66
	0.8	1565	1040	605	0.68
T4	0.1	2200	980	799	0.89
	0.2	2155	1005	817	0.91
	0.3	2115	1030	833	0.93
	0.4	2075	1050	850	0.95
	0.5	2040	1075	870	0.97
	0.6	2005	1100	885	0.99
	0.7	1965	1120	903	1.01
	0.8	1925	1140	915	1.03
T5	0.1	2250	1005	860	0.96
	0.2	2205	1025	879	0.98
	0.3	2165	1050	896	1.00
	0.4	2130	1075	913	1.02
	0.5	2090	1095	934	1.04
	0.6	2055	1120	949	1.07
	0.7	2015	1140	950	1.09
	0.8	1970	1155	950	1.10

DSG0601D 100K ULN HORIZONTAL					
STANDARD STATIC DRIVE					
TAP	EXTERNAL STATIC PRESSURE (ESP) in w.c	AIRFLOW (CFM)	RPM	WATTS	BHP
T1 *	0.1	1125	545	130	0.13
	0.2	1060	585	137	0.14
	0.3	1005	620	146	0.15
	0.4	965	670	154	0.16
	0.5	880	710	164	0.17
	0.6	-	-	-	-
	0.7	-	-	-	-
	0.8	-	-	-	-
T2	0.1	2075	845	563	0.62
	0.2	2040	870	578	0.64
	0.3	1980	910	593	0.66
	0.4	1940	935	609	0.68
	0.5	1910	945	623	0.69
	0.6	1870	970	636	0.71
	0.7	1835	1000	653	0.73
	0.8	1790	1015	669	0.74
T3 **	0.1	1945	810	477	0.53
	0.2	1895	835	489	0.54
	0.3	1850	860	504	0.56
	0.4	1810	885	520	0.58
	0.5	1765	910	532	0.59
	0.6	1725	935	547	0.61
	0.7	1680	965	559	0.63
	0.8	1635	990	575	0.64
T4	0.1	2300	930	759	0.84
	0.2	2250	955	776	0.86
	0.3	2210	980	791	0.89
	0.4	2170	1000	808	0.90
	0.5	2130	1020	827	0.92
	0.6	2095	1045	841	0.95
	0.7	2055	1065	858	0.96
	0.8	2010	1085	869	0.98
T5	0.1	2350	955	817	0.91
	0.2	2305	975	835	0.93
	0.3	2260	1000	851	0.95
	0.4	2225	1020	867	0.97
	0.5	2185	1040	887	0.99
	0.6	2145	1065	902	1.01
	0.7	2105	1085	903	1.03
	0.8	2060	1095	903	1.04

*VALUES ARE FOR FAN MODE ONLY
 **VALUES ARE FOR HEAT MODE ONLY

APPENDIX A BLOWER PERFORMANCE TABLES

DSG0603D 80K ULN DOWNSHOT					
STANDARD STATIC DRIVE					
TAP	EXTERNAL STATIC PRESSURE (ESP) in w.c	AIRFLOW (CFM)	RPM	WATTS	BHP
T1 *	0.1	1550	740	322	0.35
	0.2	1500	770	332	0.36
	0.3	1450	800	345	0.37
	0.4	1410	835	359	0.39
	0.5	1355	865	370	0.40
	0.6	1295	900	383	0.42
	0.7	1240	930	394	0.43
	0.8	1185	965	409	0.45
T2	0.1	1995	900	591	0.65
	0.2	1955	925	606	0.67
	0.3	1910	955	621	0.69
	0.4	1870	975	639	0.71
	0.5	1830	1000	653	0.73
	0.6	1800	1025	669	0.75
	0.7	1765	1050	684	0.77
	0.8	1720	1075	701	0.79
T3 **	0.1	1635	770	366	0.40
	0.2	1585	800	377	0.41
	0.3	1540	830	390	0.43
	0.4	1495	860	406	0.44
	0.5	1450	890	417	0.46
	0.6	1395	920	431	0.47
	0.7	1345	955	442	0.49
	0.8	1295	985	458	0.51
T4	0.1	2200	980	799	0.89
	0.2	2155	1005	817	0.91
	0.3	2115	1030	833	0.93
	0.4	2075	1050	850	0.95
	0.5	2040	1075	870	0.97
	0.6	2005	1100	885	0.99
	0.7	1965	1120	903	1.01
	0.8	1925	1140	915	1.03
T5	0.1	2250	1005	860	0.96
	0.2	2205	1025	879	0.98
	0.3	2165	1050	896	1.00
	0.4	2130	1075	913	1.02
	0.5	2090	1095	934	1.04
	0.6	2055	1120	949	1.07
	0.7	2015	1140	950	1.09
	0.8	1970	1155	950	1.10

DSG0603D 80K ULN HORIZONTAL					
STANDARD STATIC DRIVE					
TAP	EXTERNAL STATIC PRESSURE (ESP) in w.c	AIRFLOW (CFM)	RPM	WATTS	BHP
T1 *	0.1	1620	705	306	0.33
	0.2	1570	730	315	0.34
	0.3	1515	760	328	0.35
	0.4	1475	795	341	0.37
	0.5	1415	820	352	0.38
	0.6	1355	855	364	0.40
	0.7	1295	885	374	0.41
	0.8	1240	915	389	0.43
T2	0.1	2085	855	561	0.62
	0.2	2040	875	575	0.64
	0.3	1990	905	591	0.66
	0.4	1955	930	607	0.68
	0.5	1915	950	621	0.69
	0.6	1880	970	635	0.71
	0.7	1845	1000	650	0.73
	0.8	1800	1020	666	0.75
T3 **	0.1	1710	730	348	0.38
	0.2	1655	760	358	0.39
	0.3	1610	790	371	0.41
	0.4	1560	815	386	0.42
	0.5	1515	845	396	0.43
	0.6	1460	875	409	0.45
	0.7	1405	905	420	0.47
	0.8	1355	935	435	0.48
T4	0.1	2300	930	759	0.84
	0.2	2250	955	776	0.86
	0.3	2210	980	791	0.89
	0.4	2170	1000	808	0.90
	0.5	2130	1020	827	0.92
	0.6	2095	1045	841	0.95
	0.7	2055	1065	858	0.96
	0.8	2010	1085	869	0.98
T5	0.1	2350	955	817	0.91
	0.2	2305	975	835	0.93
	0.3	2260	1000	851	0.95
	0.4	2225	1020	867	0.97
	0.5	2185	1040	887	0.99
	0.6	2145	1065	902	1.01
	0.7	2105	1085	903	1.03
	0.8	2060	1095	903	1.04

*VALUES ARE FOR FAN MODE ONLY

**VALUES ARE FOR HEAT MODE ONLY

APPENDIX A BLOWER PERFORMANCE TABLES

DSG0603D 100K ULN DOWNSHOT					
STANDARD STATIC DRIVE					
TAP	EXTERNAL STATIC PRESSURE (ESP) in w.c	AIRFLOW (CFM)	RPM	WATTS	BHP
T1 *	0.1	1550	740	322	0.35
	0.2	1500	770	332	0.36
	0.3	1450	800	345	0.37
	0.4	1410	835	359	0.39
	0.5	1355	865	370	0.40
	0.6	1295	900	383	0.42
	0.7	1240	930	394	0.43
	0.8	1185	965	409	0.45
T2	0.1	1990	900	593	0.66
	0.2	1945	915	609	0.67
	0.3	1900	955	624	0.70
	0.4	1860	980	641	0.72
	0.5	1820	995	656	0.73
	0.6	1795	1020	670	0.75
	0.7	1755	1050	686	0.77
	0.8	1710	1075	703	0.79
T3 **	0.1	1860	850	502	0.55
	0.2	1815	880	515	0.57
	0.3	1770	905	530	0.59
	0.4	1730	930	547	0.60
	0.5	1690	960	560	0.62
	0.6	1650	985	576	0.64
	0.7	1610	1015	588	0.66
	0.8	1565	1040	605	0.68
T4	0.1	2200	980	799	0.89
	0.2	2155	1005	817	0.91
	0.3	2115	1030	833	0.93
	0.4	2075	1050	850	0.95
	0.5	2040	1075	870	0.97
	0.6	2005	1100	885	0.99
	0.7	1965	1120	903	1.01
	0.8	1925	1140	915	1.03
T5	0.1	2250	1005	860	0.96
	0.2	2205	1025	879	0.98
	0.3	2165	1050	896	1.00
	0.4	2130	1075	913	1.02
	0.5	2090	1095	934	1.04
	0.6	2055	1120	949	1.07
	0.7	2015	1140	950	1.09
	0.8	1970	1155	950	1.10

DSG0603D 100K ULN HORIZONTAL					
STANDARD STATIC DRIVE					
TAP	EXTERNAL STATIC PRESSURE (ESP) in w.c	AIRFLOW (CFM)	RPM	WATTS	BHP
T1 *	0.1	1620	705	306	0.33
	0.2	1570	730	315	0.34
	0.3	1515	760	328	0.35
	0.4	1475	795	341	0.37
	0.5	1415	820	352	0.38
	0.6	1355	855	364	0.40
	0.7	1295	885	374	0.41
	0.8	1240	915	389	0.43
T2	0.1	2075	845	563	0.62
	0.2	2040	870	578	0.64
	0.3	1980	910	593	0.66
	0.4	1940	935	609	0.68
	0.5	1910	945	623	0.69
	0.6	1870	970	636	0.71
	0.7	1835	1000	653	0.73
	0.8	1790	1015	669	0.74
T3 **	0.1	1945	810	477	0.53
	0.2	1895	835	489	0.54
	0.3	1850	860	504	0.56
	0.4	1810	885	520	0.58
	0.5	1765	910	532	0.59
	0.6	1725	935	547	0.61
	0.7	1680	965	559	0.63
	0.8	1635	990	575	0.64
T4	0.1	2300	930	759	0.84
	0.2	2250	955	776	0.86
	0.3	2210	980	791	0.89
	0.4	2170	1000	808	0.90
	0.5	2130	1020	827	0.92
	0.6	2095	1045	841	0.95
	0.7	2055	1065	858	0.96
	0.8	2010	1085	869	0.98
T5	0.1	2350	955	817	0.91
	0.2	2305	975	835	0.93
	0.3	2260	1000	851	0.95
	0.4	2225	1020	867	0.97
	0.5	2185	1040	887	0.99
	0.6	2145	1065	902	1.01
	0.7	2105	1085	903	1.03
	0.8	2060	1095	903	1.04

*VALUES ARE FOR FAN MODE ONLY
 **VALUES ARE FOR HEAT MODE ONLY

APPENDIX A BLOWER PERFORMANCE TABLES

DSG0604D 80K ULN DOWNSHOT					
STANDARD STATIC DRIVE					
TAP	EXTERNAL STATIC PRESSURE (ESP) in w.c	AIRFLOW (CFM)	RPM	WATTS	BHP
T1 *	0.1	1255	650	198	0.21
	0.2	1210	675	208	0.22
	0.3	1135	715	218	0.23
	0.4	1090	755	223	0.24
	0.5	1045	785	238	0.25
	0.6	990	825	248	0.27
	0.7	925	870	261	0.28
	0.8	860	900	269	0.29
T2	0.1	1990	895	575	0.64
	0.2	1960	915	586	0.65
	0.3	1905	940	604	0.67
	0.4	1875	970	618	0.69
	0.5	1850	985	627	0.70
	0.6	1800	1015	646	0.72
	0.7	1765	1040	659	0.74
	0.8	1725	1060	670	0.76
T3 **	0.1	1615	770	351	0.38
	0.2	1585	790	362	0.39
	0.3	1515	825	375	0.41
	0.4	1475	855	385	0.43
	0.5	1440	880	396	0.44
	0.6	1390	910	411	0.45
	0.7	1340	950	423	0.47
	0.8	1290	970	434	0.48
T4	0.1	2180	960	736	0.81
	0.2	2150	980	746	0.83
	0.3	2105	1005	768	0.85
	0.4	2070	1030	784	0.87
	0.5	2050	1045	793	0.89
	0.6	2005	1075	815	0.91
	0.7	1975	1095	828	0.93
	0.8	1935	1115	839	0.94
T5	0.1	2245	980	797	0.88
	0.2	2210	1000	807	0.89
	0.3	2170	1025	830	0.92
	0.4	2135	1050	847	0.94
	0.5	2115	1065	855	0.95
	0.6	2070	1095	878	0.98
	0.7	2040	1115	892	1.00
	0.8	2005	1130	902	1.01

DSG0604D 80K ULN HORIZONTAL					
STANDARD STATIC DRIVE					
TAP	EXTERNAL STATIC PRESSURE (ESP) in w.c	AIRFLOW (CFM)	RPM	WATTS	BHP
T1 *	0.1	1295	620	188	0.20
	0.2	1245	640	198	0.21
	0.3	1170	680	207	0.22
	0.4	1125	715	212	0.23
	0.5	1075	745	226	0.24
	0.6	1020	785	236	0.25
	0.7	955	825	248	0.27
	0.8	885	855	256	0.28
T2	0.1	2050	850	546	0.61
	0.2	2020	870	556	0.62
	0.3	1965	895	574	0.64
	0.4	1930	920	588	0.66
	0.5	1905	935	596	0.67
	0.6	1855	965	614	0.69
	0.7	1815	990	627	0.71
	0.8	1775	1005	637	0.72
T3 **	0.1	1665	730	333	0.36
	0.2	1635	750	344	0.37
	0.3	1560	785	356	0.39
	0.4	1520	810	366	0.40
	0.5	1485	835	376	0.42
	0.6	1430	865	390	0.43
	0.7	1380	905	402	0.45
	0.8	1330	920	412	0.46
T4	0.1	2245	910	699	0.77
	0.2	2215	930	709	0.79
	0.3	2170	955	730	0.81
	0.4	2130	980	745	0.83
	0.5	2110	995	753	0.84
	0.6	2065	1020	774	0.86
	0.7	2035	1040	787	0.88
	0.8	1995	1060	797	0.90
T5	0.1	2310	930	757	0.83
	0.2	2275	950	767	0.85
	0.3	2235	975	789	0.87
	0.4	2200	1000	805	0.89
	0.5	2180	1010	812	0.90
	0.6	2130	1040	834	0.93
	0.7	2100	1060	847	0.95
	0.8	2065	1075	857	0.96

*VALUES ARE FOR FAN MODE ONLY

**VALUES ARE FOR HEAT MODE ONLY

APPENDIX A BLOWER PERFORMANCE TABLES

DSG0604D 100K ULN DOWNSHOT					
STANDARD STATIC DRIVE					
TAP	EXTERNAL STATIC PRESSURE (ESP) in w.c	AIRFLOW (CFM)	RPM	WATTS	BHP
T1 *	0.1	1125	605	154	0.16
	0.2	1080	630	163	0.17
	0.3	1000	675	172	0.18
	0.4	955	720	176	0.19
	0.5	900	750	193	0.20
	0.6	845	795	201	0.21
	0.7	770	845	214	0.23
	0.8	705	875	221	0.23
T2	0.1	1995	895	574	0.64
	0.2	1965	915	585	0.65
	0.3	1910	940	603	0.67
	0.4	1875	970	617	0.69
	0.5	1850	985	626	0.70
	0.6	1800	1015	646	0.72
	0.7	1765	1040	659	0.74
	0.8	1725	1060	670	0.75
T3 **	0.1	1180	625	172	0.18
	0.2	1135	650	182	0.19
	0.3	1055	690	191	0.20
	0.4	1010	735	196	0.21
	0.5	960	765	211	0.22
	0.6	905	805	220	0.23
	0.7	835	855	233	0.25
	0.8	770	885	241	0.26
T4	0.1	2180	960	736	0.81
	0.2	2150	980	746	0.83
	0.3	2105	1005	768	0.85
	0.4	2070	1030	784	0.87
	0.5	2050	1045	793	0.89
	0.6	2005	1075	815	0.91
	0.7	1975	1095	828	0.93
	0.8	1935	1115	839	0.94
T5	0.1	2245	980	797	0.88
	0.2	2210	1000	807	0.89
	0.3	2170	1025	830	0.92
	0.4	2135	1050	847	0.94
	0.5	2115	1065	855	0.95
	0.6	2070	1095	878	0.98
	0.7	2040	1115	892	1.00
	0.8	2005	1130	902	1.01

DSG0604D 100K ULN HORIZONTAL					
STANDARD STATIC DRIVE					
TAP	EXTERNAL STATIC PRESSURE (ESP) in w.c	AIRFLOW (CFM)	RPM	WATTS	BHP
T1 *	0.1	1160	575	146	0.15
	0.2	1110	600	155	0.16
	0.3	1030	640	163	0.17
	0.4	985	685	167	0.18
	0.5	925	715	183	0.19
	0.6	870	755	191	0.20
	0.7	795	805	203	0.21
	0.8	725	830	210	0.22
T2	0.1	2055	850	546	0.61
	0.2	2025	870	556	0.62
	0.3	1965	895	573	0.64
	0.4	1930	920	587	0.65
	0.5	1905	935	595	0.67
	0.6	1855	965	613	0.69
	0.7	1815	990	626	0.70
	0.8	1775	1005	636	0.72
T3 **	0.1	1215	595	163	0.17
	0.2	1170	620	173	0.18
	0.3	1085	655	181	0.19
	0.4	1040	700	186	0.20
	0.5	990	725	200	0.21
	0.6	930	765	209	0.22
	0.7	860	810	221	0.24
	0.8	795	840	229	0.24
T4	0.1	2245	910	699	0.77
	0.2	2215	930	709	0.79
	0.3	2170	955	730	0.81
	0.4	2130	980	745	0.83
	0.5	2110	995	753	0.84
	0.6	2065	1020	774	0.86
	0.7	2035	1040	787	0.88
	0.8	1995	1060	797	0.90
T5	0.1	2310	930	757	0.83
	0.2	2275	950	767	0.85
	0.3	2235	975	789	0.87
	0.4	2200	1000	805	0.89
	0.5	2180	1010	812	0.90
	0.6	2130	1040	834	0.93
	0.7	2100	1060	847	0.95
	0.8	2065	1075	857	0.96

*VALUES ARE FOR FAN MODE ONLY
 **VALUES ARE FOR HEAT MODE ONLY

APPENDIX A BLOWER PERFORMANCE TABLES

DSG0603W / DSG0604W 80K ULN HORIZONTAL					
HIGH STATIC DRIVE					
TAP	EXTERNAL STATIC PRESSURE (ESP) in w.c	AIRFLOW (CFM)	RPM	WATTS	BHP
T1 *	0.8	1680	1030	648	0.66
	0.9	1640	1055	664	0.68
	1.0	1600	1085	681	0.70
	1.1	1555	1115	697	0.72
	1.2	1510	1140	714	0.73
	1.3	1465	1165	730	0.75
	1.4	1410	1195	764	0.77
	1.5	1355	1220	779	0.78
	1.6	1295	1250	777	0.80
	1.7	1250	1275	791	0.82
T2	1.8	1210	1295	805	0.83
	0.8	2200	1160	1110	1.17
	0.9	2170	1185	1128	1.19
	1.0	2135	1205	1148	1.21
	1.1	2105	1230	1168	1.24
	1.2	2065	1255	1189	1.26
	1.3	2030	1275	1209	1.28
	1.4	1985	1295	1225	1.30
	1.5	1945	1320	1243	1.33
	1.6	1910	1340	1265	1.35
T3 **	1.7	1870	1360	1286	1.37
	1.8	1830	1380	1305	1.39
	0.8	1680	1030	648	0.66
	0.9	1640	1055	664	0.68
	1.0	1600	1085	681	0.70
	1.1	1555	1115	697	0.72
	1.2	1510	1140	714	0.73
	1.3	1465	1165	730	0.75
	1.4	1410	1195	764	0.77
	1.5	1355	1220	779	0.78
T4	1.6	1295	1250	777	0.80
	1.7	1250	1275	791	0.82
	1.8	1210	1295	805	0.83
	0.8	2275	1180	1192	1.25
	0.9	2240	1200	1211	1.27
	1.0	2210	1225	1231	1.30
	1.1	2180	1245	1252	1.32
	1.2	2145	1270	1273	1.35
	1.3	2105	1290	1293	1.37
	1.4	2065	1310	1309	1.39
T5	1.5	2030	1330	1328	1.41
	1.6	1995	1350	1352	1.43
	1.7	1955	1375	1372	1.46
	1.8	1915	1395	1393	1.48
	0.8	1825	1065	756	0.79
	0.9	1785	1090	772	0.80
	1.0	1745	1120	790	0.83
	1.1	1710	1145	808	0.85
	1.2	1665	1170	826	0.86
	1.3	1625	1195	843	0.88
T5	1.4	1570	1220	870	0.90
	1.5	1520	1245	886	0.92
	1.6	1470	1270	892	0.94
	1.7	1430	1295	909	0.96
	1.8	1385	1320	924	0.97

DSG0603W / DSG0604W 80K ULN HORIZONTAL					
HIGH STATIC DRIVE					
TAP	EXTERNAL STATIC PRESSURE (ESP) in w.c	AIRFLOW (CFM)	RPM	WATTS	BHP
T1' *	0.8	1895	1080	813	0.85
	0.9	1855	1105	829	0.87
	1.0	1820	1135	848	0.89
	1.1	1780	1160	866	0.91
	1.2	1740	1185	884	0.93
	1.3	1700	1210	902	0.95
	1.4	1650	1235	927	0.97
	1.5	1600	1260	943	0.99
	1.6	1555	1285	953	1.01
	1.7	1510	1305	970	1.02
T2'	1.8	-	-	-	-
	0.8	2335	1200	1265	1.33
	0.9	2305	1220	1285	1.35
	1.0	2270	1240	1305	1.37
	1.1	2240	1260	1327	1.40
	1.2	2205	1285	1348	1.42
	1.3	2170	1305	1368	1.45
	1.4	2130	1325	1384	1.47
	1.5	2095	1345	1403	1.49
	1.6	2060	1365	1428	1.51
T3' **	1.7	2025	1385	1449	1.53
	1.8	1985	1405	1470	1.56
	0.8	1895	1080	813	0.85
	0.9	1855	1105	829	0.87
	1.0	1820	1135	848	0.89
	1.1	1780	1160	866	0.91
	1.2	1740	1185	884	0.93
	1.3	1700	1210	902	0.95
	1.4	1650	1235	927	0.97
	1.5	1600	1260	943	0.99
T4'	1.6	1555	1285	953	1.01
	1.7	1510	1305	970	1.02
	1.8	-	-	-	-
	0.8	2405	1220	1354	1.42
	0.9	2375	1235	1374	1.44
	1.0	2345	1260	1394	1.46
	1.1	2315	1280	1416	1.49
	1.2	2280	1300	1438	1.51
	1.3	2245	1320	1459	1.53
	1.4	2205	1340	1474	1.56
T5'	1.5	2170	1360	1494	1.58
	1.6	2135	1380	1520	1.60
	1.7	2100	1400	1542	1.63
	1.8	2065	1420	1564	1.65
	0.8	2030	1115	933	0.98
	0.9	1995	1140	951	1.00
	1.0	1960	1165	970	1.02
	1.1	1925	1190	989	1.05
	1.2	1885	1215	1009	1.07
	1.3	1845	1240	1028	1.09
T5'	1.4	1800	1260	1048	1.11
	1.5	1755	1285	1064	1.13
	1.6	1715	1305	1081	1.15
	1.7	1670	1330	1099	1.17
	1.8	1630	1350	1117	1.19

*VALUES ARE FOR FAN MODE ONLY

**VALUES ARE FOR HEAT MODE ONLY

APPENDIX A BLOWER PERFORMANCE TABLES

DSG0603W / DSG0604W 80K ULN DOWNSHOT					
HIGH STATIC DRIVE					
TAP	EXTERNAL STATIC PRESSURE (ESP) in w.c	AIRFLOW (CFM)	RPM	WATTS	BHP
T1 *	0.8	1630	1080	680	0.69
	0.9	1590	1110	697	0.71
	1.0	1550	1140	715	0.73
	1.1	1510	1170	732	0.75
	1.2	1465	1195	750	0.77
	1.3	1420	1225	767	0.79
	1.4	1370	1255	802	0.81
	1.5	1315	1280	818	0.82
	1.6	1255	1315	816	0.84
	1.7	1215	1340	831	0.86
T2	1.8	1175	1360	845	0.87
	0.8	2135	1220	1166	1.23
	0.9	2105	1245	1184	1.25
	1.0	2070	1265	1205	1.27
	1.1	2040	1290	1226	1.30
	1.2	2005	1320	1248	1.33
	1.3	1970	1340	1269	1.35
	1.4	1925	1360	1286	1.37
	1.5	1885	1385	1305	1.39
	1.6	1855	1405	1328	1.41
T3 **	1.7	1815	1430	1350	1.44
	1.8	1775	1450	1370	1.46
	0.8	1630	1080	680	0.69
	0.9	1590	1110	697	0.71
	1.0	1550	1140	715	0.73
	1.1	1510	1170	732	0.75
	1.2	1465	1195	750	0.77
	1.3	1420	1225	767	0.79
	1.4	1370	1255	802	0.81
	1.5	1315	1280	818	0.82
T4	1.6	1255	1315	816	0.84
	1.7	1215	1340	831	0.86
	1.8	1175	1360	845	0.87
	0.8	2205	1240	1252	1.31
	0.9	2175	1260	1272	1.34
	1.0	2145	1285	1293	1.36
	1.1	2115	1305	1315	1.38
	1.2	2080	1335	1337	1.42
	1.3	2040	1355	1358	1.44
	1.4	2005	1375	1374	1.46
T5	1.5	1970	1395	1394	1.48
	1.6	1935	1420	1420	1.51
	1.7	1895	1445	1441	1.53
	1.8	1860	1465	1463	1.55
	0.8	1770	1120	794	0.83
	0.9	1730	1145	811	0.85
	1.0	1695	1175	830	0.87
	1.1	1660	1200	848	0.89
	1.2	1615	1230	867	0.91
	1.3	1575	1255	885	0.93
T5	1.4	1525	1280	914	0.95
	1.5	1475	1305	930	0.96
	1.6	1425	1335	937	0.99
	1.7	1385	1360	954	1.00
	1.8	1345	1385	970	1.02

DSG0603W / DSG0604W 80K ULN DOWNSHOT					
HIGH STATIC DRIVE					
TAP	EXTERNAL STATIC PRESSURE (ESP) in w.c	AIRFLOW (CFM)	RPM	WATTS	BHP
T1' *	0.8	1840	1135	854	0.89
	0.9	1800	1160	870	0.91
	1.0	1765	1190	890	0.93
	1.1	1725	1220	909	0.96
	1.2	1690	1245	928	0.98
	1.3	1650	1270	947	1.00
	1.4	1600	1295	973	1.02
	1.5	1550	1325	990	1.04
	1.6	1510	1350	1001	1.06
	1.7	1465	1370	1019	1.08
T2'	1.8	1425	1395	1035	1.10
	0.8	2265	1260	1328	1.40
	0.9	2235	1280	1349	1.42
	1.0	2200	1300	1370	1.44
	1.1	2175	1325	1393	1.47
	1.2	2140	1350	1415	1.50
	1.3	2105	1370	1436	1.52
	1.4	2065	1390	1453	1.54
	1.5	2030	1410	1473	1.56
	1.6	2000	1435	1499	1.59
T3' **	1.7	1965	1455	1521	1.61
	1.8	1925	1475	1544	1.63
	0.8	1840	1135	854	0.89
	0.9	1800	1160	870	0.91
	1.0	1765	1190	890	0.93
	1.1	1725	1220	909	0.96
	1.2	1690	1245	928	0.98
	1.3	1650	1270	947	1.00
	1.4	1600	1295	973	1.02
	1.5	1550	1325	990	1.04
T4'	1.6	1510	1350	1001	1.06
	1.7	1465	1370	1019	1.08
	1.8	1425	1395	1035	1.10
	0.8	2335	1280	1422	1.49
	0.9	2305	1295	1443	1.51
	1.0	2275	1325	1464	1.54
	1.1	2245	1345	1487	1.56
	1.2	2210	1365	1510	1.59
	1.3	2180	1385	1532	1.61
	1.4	2140	1405	1548	1.63
T5'	1.5	2105	1430	1569	1.66
	1.6	2070	1450	1596	1.69
	1.7	2035	1470	1619	1.71
	1.8	2005	1490	1642	1.73
	0.8	1970	1170	980	1.03
	0.9	1935	1195	999	1.05
	1.0	1900	1225	1019	1.08
	1.1	1865	1250	1038	1.10
	1.2	1830	1275	1059	1.12
	1.3	1790	1300	1079	1.14
T5'	1.4	1745	1325	1100	1.17
	1.5	1700	1350	1117	1.19
	1.6	1665	1370	1135	1.21
	1.7	1620	1395	1154	1.23
	1.8	1580	1420	1173	1.25

*VALUES ARE FOR FAN MODE ONLY
**VALUES ARE FOR HEAT MODE ONLY

APPENDIX A BLOWER PERFORMANCE TABLES

DSG0603W / DSG0604W 100K ULN HORIZONTAL					
HIGH STATIC DRIVE					
TAP	EXTERNAL STATIC PRESSURE (ESP) in w.c	AIRFLOW (CFM)	RPM	WATTS	BHP
T1 *	0.8	1025	870	300	0.21
	0.9	965	910	316	0.22
	1.0	905	945	328	0.22
	1.1	840	980	338	0.23
	1.2	790	1010	347	0.24
	1.3	730	1040	354	0.25
	1.4	650	1090	434	0.26
	1.5	-	-	-	-
	1.6	-	-	-	-
	1.7	-	-	-	-
1.8	-	-	-	-	
T2	0.8	2200	1160	1110	1.17
	0.9	2170	1185	1128	1.19
	1.0	2135	1205	1148	1.21
	1.1	2105	1230	1168	1.24
	1.2	2065	1255	1189	1.26
	1.3	2030	1275	1209	1.28
	1.4	1985	1295	1225	1.30
	1.5	1945	1320	1243	1.33
	1.6	1910	1340	1265	1.35
	1.7	1870	1360	1286	1.37
1.8	1830	1380	1305	1.39	
T3 **	0.8	1130	895	341	0.27
	0.9	1075	930	357	0.28
	1.0	1015	965	370	0.29
	1.1	955	1000	381	0.30
	1.2	905	1030	391	0.31
	1.3	850	1060	400	0.32
	1.4	775	1105	471	0.33
	1.5	690	1135	486	0.34
	1.6	600	1175	441	0.35
	1.7	-	-	-	-
1.8	-	-	-	-	
T4	0.8	2275	1180	1192	1.25
	0.9	2240	1200	1211	1.27
	1.0	2210	1225	1231	1.30
	1.1	2180	1245	1252	1.32
	1.2	2145	1270	1273	1.35
	1.3	2105	1290	1293	1.37
	1.4	2065	1310	1309	1.39
	1.5	2030	1330	1328	1.41
	1.6	1995	1350	1352	1.43
	1.7	1955	1375	1372	1.46
1.8	1915	1395	1393	1.48	
T5	0.8	1315	935	425	0.38
	0.9	1260	970	441	0.40
	1.0	1210	1005	456	0.41
	1.1	1155	1035	468	0.42
	1.2	1110	1065	481	0.43
	1.3	1055	1095	492	0.45
	1.4	985	1135	549	0.46
	1.5	915	1160	564	0.47
	1.6	835	1195	535	0.49
	1.7	785	1220	545	0.50
1.8	740	1245	555	0.51	

DSG0603W / DSG0604W 100K ULN HORIZONTAL					
HIGH STATIC DRIVE					
TAP	EXTERNAL STATIC PRESSURE (ESP) in w.c	AIRFLOW (CFM)	RPM	WATTS	BHP
T1' *	0.8	1390	955	465	0.44
	0.9	1340	990	481	0.45
	1.0	1290	1020	496	0.46
	1.1	1240	1050	509	0.48
	1.2	1190	1080	523	0.49
	1.3	1140	1110	535	0.51
	1.4	1075	1145	587	0.52
	1.5	1005	1175	602	0.54
	1.6	930	1205	579	0.55
	1.7	885	1230	590	0.56
1.8	840	1255	601	0.57	
T2'	0.8	2335	1200	1265	1.33
	0.9	2305	1220	1285	1.35
	1.0	2270	1240	1305	1.37
	1.1	2240	1260	1327	1.40
	1.2	2205	1285	1348	1.42
	1.3	2170	1305	1368	1.45
	1.4	2130	1325	1384	1.47
	1.5	2095	1345	1403	1.49
	1.6	2060	1365	1428	1.51
	1.7	2025	1385	1449	1.53
1.8	1985	1405	1470	1.56	
T3' **	0.8	1415	960	479	0.45
	0.9	1365	995	495	0.47
	1.0	1315	1025	510	0.48
	1.1	1265	1055	524	0.50
	1.2	1220	1085	538	0.51
	1.3	1170	1115	550	0.53
	1.4	1105	1150	601	0.54
	1.5	1035	1180	615	0.56
	1.6	965	1210	594	0.57
	1.7	915	1235	605	0.58
1.8	870	1260	617	0.59	
T4'	0.8	2405	1220	1354	1.42
	0.9	2375	1235	1374	1.44
	1.0	2345	1260	1394	1.46
	1.1	2315	1280	1416	1.49
	1.2	2280	1300	1438	1.51
	1.3	2245	1320	1459	1.53
	1.4	2205	1340	1474	1.56
	1.5	2170	1360	1494	1.58
	1.6	2135	1380	1520	1.60
	1.7	2100	1400	1542	1.63
1.8	2065	1420	1564	1.65	
T5'	0.8	1540	990	552	0.54
	0.9	1495	1025	568	0.56
	1.0	1450	1055	585	0.58
	1.1	1400	1085	599	0.60
	1.2	1355	1110	615	0.61
	1.3	1310	1140	629	0.63
	1.4	1250	1170	671	0.64
	1.5	1185	1200	686	0.66
	1.6	1120	1230	674	0.68
	1.7	1075	1250	687	0.69
1.8	1030	1275	700	0.70	

*VALUES ARE FOR FAN MODE ONLY
 **VALUES ARE FOR HEAT MODE ONLY

APPENDIX A BLOWER PERFORMANCE TABLES

DSG0603W / DSG0604W 100K ULN DOWNSHOT					
HIGH STATIC DRIVE					
TAP	EXTERNAL STATIC PRESSURE (ESP) in w.c	AIRFLOW (CFM)	RPM	WATTS	BHP
T1 *	0.8	995	915	315	0.22
	0.9	935	955	332	0.23
	1.0	880	990	344	0.23
	1.1	815	1030	355	0.24
	1.2	765	1060	364	0.25
	1.3	710	1090	372	0.26
	1.4	630	1145	456	0.27
	1.5	-	-	-	-
	1.6	-	-	-	-
	1.7	-	-	-	-
1.8	-	-	-	-	
T2	0.8	2135	1220	1166	1.23
	0.9	2105	1245	1184	1.25
	1.0	2070	1265	1205	1.27
	1.1	2040	1290	1226	1.30
	1.2	2005	1320	1248	1.33
	1.3	1970	1340	1269	1.35
	1.4	1925	1360	1286	1.37
	1.5	1885	1385	1305	1.39
	1.6	1855	1405	1328	1.41
	1.7	1815	1430	1350	1.44
1.8	1775	1450	1370	1.46	
T3 **	0.8	1095	940	358	0.28
	0.9	1045	975	375	0.29
	1.0	985	1015	389	0.30
	1.1	925	1050	400	0.31
	1.2	880	1080	411	0.32
	1.3	825	1115	420	0.33
	1.4	750	1160	495	0.35
	1.5	670	1190	510	0.36
	1.6	580	1235	463	0.37
	1.7	-	-	-	-
1.8	-	-	-	-	
T4	0.8	2205	1240	1252	1.31
	0.9	2175	1260	1272	1.34
	1.0	2145	1285	1293	1.36
	1.1	2115	1305	1315	1.38
	1.2	2080	1335	1337	1.42
	1.3	2040	1355	1358	1.44
	1.4	2005	1375	1374	1.46
	1.5	1970	1395	1394	1.48
	1.6	1935	1420	1420	1.51
	1.7	1895	1445	1441	1.53
1.8	1860	1465	1463	1.55	
T5	0.8	1275	980	446	0.40
	0.9	1220	1020	463	0.42
	1.0	1175	1055	479	0.43
	1.1	1120	1085	491	0.44
	1.2	1075	1120	505	0.46
	1.3	1025	1150	517	0.47
	1.4	955	1190	576	0.49
	1.5	890	1220	592	0.50
	1.6	810	1255	562	0.51
	1.7	760	1280	572	0.52
1.8	720	1305	583	0.53	

DSG0603W / DSG0604W 100K ULN DOWNSHOT					
HIGH STATIC DRIVE					
TAP	EXTERNAL STATIC PRESSURE (ESP) in w.c	AIRFLOW (CFM)	RPM	WATTS	BHP
T1' *	0.8	1350	1005	488	0.46
	0.9	1300	1040	505	0.47
	1.0	1250	1070	521	0.49
	1.1	1205	1105	534	0.50
	1.2	1155	1135	549	0.52
	1.3	1105	1165	562	0.53
	1.4	1045	1200	616	0.55
	1.5	975	1235	632	0.56
	1.6	900	1265	608	0.58
	1.7	860	1290	620	0.59
1.8	815	1320	631	0.60	
T2'	0.8	2265	1260	1328	1.40
	0.9	2235	1280	1349	1.42
	1.0	2200	1300	1370	1.44
	1.1	2175	1325	1393	1.47
	1.2	2140	1350	1415	1.50
	1.3	2105	1370	1436	1.52
	1.4	2065	1390	1453	1.54
	1.5	2030	1410	1473	1.56
	1.6	2000	1435	1499	1.59
	1.7	1965	1455	1521	1.61
1.8	1925	1475	1544	1.63	
T3' **	0.8	1375	1010	503	0.48
	0.9	1325	1045	520	0.49
	1.0	1275	1075	536	0.51
	1.1	1225	1110	550	0.52
	1.2	1185	1140	565	0.54
	1.3	1135	1170	578	0.55
	1.4	1070	1210	631	0.57
	1.5	1005	1240	646	0.58
	1.6	935	1270	624	0.60
	1.7	890	1295	635	0.61
1.8	845	1325	648	0.62	
T4'	0.8	2335	1280	1422	1.49
	0.9	2305	1295	1443	1.51
	1.0	2275	1325	1464	1.54
	1.1	2245	1345	1487	1.56
	1.2	2210	1365	1510	1.59
	1.3	2180	1385	1532	1.61
	1.4	2140	1405	1548	1.63
	1.5	2105	1430	1569	1.66
	1.6	2070	1450	1596	1.69
	1.7	2035	1470	1619	1.71
1.8	2005	1490	1642	1.73	
T5'	0.8	1495	1040	580	0.57
	0.9	1450	1075	596	0.59
	1.0	1405	1110	614	0.61
	1.1	1360	1140	629	0.63
	1.2	1315	1165	646	0.64
	1.3	1270	1195	660	0.66
	1.4	1215	1230	705	0.68
	1.5	1150	1260	720	0.69
	1.6	1085	1290	708	0.71
	1.7	1045	1315	721	0.72
1.8	1000	1340	735	0.74	

*VALUES ARE FOR FAN MODE ONLY
**VALUES ARE FOR HEAT MODE ONLY

APPENDIX A BLOWER PERFORMANCE TABLES

DSG0723D / DSG0724D / DSG0727D 90K DOWNSHOT					
STANDARD STATIC DRIVE					
TAP	EXTERNAL STATIC PRESSURE (ESP) in w.c	AIRFLOW (CFM)	RPM	WATTS	BHP
T1 ***	0.1	1335	615	199	0.20
	0.2	1290	655	209	0.21
	0.3	1230	695	220	0.23
	0.4	1165	740	233	0.24
	0.5	1095	785	246	0.26
	0.6	1035	830	258	0.27
	0.7	975	865	269	0.28
	0.8	900	910	281	0.30
T2 ***	0.1	1350	620	203	0.21
	0.2	1300	660	213	0.22
	0.3	1245	700	225	0.23
	0.4	1175	745	238	0.25
	0.5	1110	790	251	0.26
	0.6	1050	830	263	0.28
	0.7	990	870	274	0.29
	0.8	915	910	286	0.30
T3 ****	0.1	1660	720	324	0.34
	0.2	1605	750	336	0.36
	0.3	1555	785	348	0.37
	0.4	1505	820	362	0.39
	0.5	1450	855	376	0.41
	0.6	1400	895	390	0.43
	0.7	1345	925	403	0.44
	0.8	1290	965	417	0.46
T4	0.1	2145	880	606	0.66
	0.2	2090	905	621	0.68
	0.3	2050	925	636	0.70
	0.4	2015	950	650	0.71
	0.5	1975	975	666	0.73
	0.6	1935	1005	682	0.76
	0.7	1890	1030	698	0.77
	0.8	1850	1055	714	0.79
T5	0.1	2390	970	851	0.92
	0.2	2360	990	866	0.94
	0.3	2315	1015	884	0.97
	0.4	2270	1035	900	0.99
	0.5	2235	1060	916	1.01
	0.6	2200	1075	931	1.02
	0.7	2160	1100	947	1.05
	0.8	2115	1120	964	1.07

DSG0723D / DSG0724D / DSG0727D 90K HORIZONTAL					
STANDARD STATIC DRIVE					
TAP	EXTERNAL STATIC PRESSURE (ESP) in w.c	AIRFLOW (CFM)	RPM	WATTS	BHP
T1 ***	0.1	1400	595	195	0.19
	0.2	1355	635	205	0.21
	0.3	1290	675	216	0.22
	0.4	1225	720	228	0.24
	0.5	1150	760	241	0.25
	0.6	1085	805	253	0.26
	0.7	1025	840	264	0.28
	0.8	945	885	275	0.29
T2 ***	0.1	1420	600	199	0.20
	0.2	1365	640	209	0.21
	0.3	1305	680	221	0.23
	0.4	1235	725	233	0.24
	0.5	1165	765	246	0.25
	0.6	1105	805	258	0.27
	0.7	1040	845	269	0.28
	0.8	960	885	280	0.29
T3 ****	0.1	1745	700	318	0.33
	0.2	1685	730	329	0.35
	0.3	1635	760	341	0.36
	0.4	1580	795	355	0.38
	0.5	1525	830	368	0.40
	0.6	1470	870	382	0.41
	0.7	1410	895	395	0.43
	0.8	1355	935	409	0.45
T4	0.1	2250	855	594	0.64
	0.2	2195	880	609	0.66
	0.3	2155	895	623	0.67
	0.4	2115	920	637	0.69
	0.5	2075	945	653	0.71
	0.6	2030	975	668	0.73
	0.7	1985	1000	684	0.75
	0.8	1945	1025	700	0.77
T5	0.1	2510	940	834	0.89
	0.2	2480	960	849	0.91
	0.3	2430	985	866	0.94
	0.4	2385	1005	882	0.96
	0.5	2345	1030	898	0.98
	0.6	2310	1045	912	0.99
	0.7	2270	1065	928	1.01
	0.8	2220	1085	945	1.03

***VALUES ARE FOR PART LOAD ONLY

****VALUES ARE FOR HIGH HEAT MODE ONLY

APPENDIX A BLOWER PERFORMANCE TABLES

DSG0723D / DSG0724D / DSG0727D 115K DOWNSHOT					
STANDARD STATIC DRIVE					
TAP	EXTERNAL STATIC PRESSURE (ESP) in w.c	AIRFLOW (CFM)	RPM	WATTS	BHP
T1 ***	0.1	1710	735	346	0.37
	0.2	1650	765	358	0.38
	0.3	1605	795	370	0.40
	0.4	1555	830	384	0.41
	0.5	1505	865	398	0.43
	0.6	1455	905	413	0.45
	0.7	1405	935	426	0.47
	0.8	1345	970	441	0.48
T2 ***	0.1	1350	620	203	0.21
	0.2	1300	660	213	0.22
	0.3	1245	700	225	0.23
	0.4	1175	745	238	0.25
	0.5	1110	790	251	0.26
	0.6	1050	830	263	0.28
	0.7	990	870	274	0.29
	0.8	915	910	286	0.30
T3 ****	0.1	2020	840	517	0.56
	0.2	1960	865	531	0.58
	0.3	1920	890	545	0.60
	0.4	1880	915	559	0.61
	0.5	1840	940	575	0.63
	0.6	1800	975	590	0.65
	0.7	-	-	-	-
	0.8	-	-	-	-
T4	0.1	2145	880	606	0.66
	0.2	2090	905	621	0.68
	0.3	2050	925	636	0.70
	0.4	2015	950	650	0.71
	0.5	1975	975	666	0.73
	0.6	1935	1005	682	0.76
	0.7	1890	1030	698	0.77
	0.8	1850	1055	714	0.79
T5	0.1	2390	970	851	0.92
	0.2	2360	990	866	0.94
	0.3	2315	1015	884	0.97
	0.4	2270	1035	900	0.99
	0.5	2235	1060	916	1.01
	0.6	2200	1075	931	1.02
	0.7	2160	1100	947	1.05
	0.8	2115	1120	964	1.07

DSG0723D / DSG0724D / DSG0727D 115K HORIZONTAL					
STANDARD STATIC DRIVE					
TAP	EXTERNAL STATIC PRESSURE (ESP) in w.c	AIRFLOW (CFM)	RPM	WATTS	BHP
T1 ***	0.1	1795	715	339	0.36
	0.2	1735	740	351	0.37
	0.3	1685	770	363	0.38
	0.4	1635	805	376	0.40
	0.5	1580	840	390	0.42
	0.6	1530	880	405	0.44
	0.7	1475	905	417	0.45
	0.8	1410	940	432	0.47
T2 ***	0.1	1420	600	199	0.20
	0.2	1365	640	209	0.21
	0.3	1305	680	221	0.23
	0.4	1235	725	233	0.24
	0.5	1165	765	246	0.25
	0.6	1105	805	258	0.27
	0.7	1040	845	269	0.28
	0.8	960	885	280	0.29
T3 ****	0.1	2120	815	507	0.55
	0.2	2060	840	520	0.56
	0.3	2015	865	534	0.58
	0.4	1975	890	548	0.60
	0.5	1930	910	564	0.61
	0.6	1885	945	578	0.63
	0.7	1840	970	593	0.65
	0.8	1800	1000	610	0.67
T4	0.1	2250	855	594	0.64
	0.2	2195	880	609	0.66
	0.3	2155	895	623	0.67
	0.4	2115	920	637	0.69
	0.5	2075	945	653	0.71
	0.6	2030	975	668	0.73
	0.7	1985	1000	684	0.75
	0.8	1945	1025	700	0.77
T5	0.1	2510	940	834	0.89
	0.2	2480	960	849	0.91
	0.3	2430	985	866	0.94
	0.4	2385	1005	882	0.96
	0.5	2345	1030	898	0.98
	0.6	2310	1045	912	0.99
	0.7	2270	1065	928	1.01
	0.8	2220	1085	945	1.03

***VALUES ARE FOR PART LOAD ONLY
****VALUES ARE FOR HIGH HEAT MODE ONLY

APPENDIX A BLOWER PERFORMANCE TABLES

DSG0723D / DSG0724D / DSG0727D 140K DOWNSHOT					
STANDARD STATIC DRIVE					
TAP	EXTERNAL STATIC PRESSURE (ESP) in w.c	AIRFLOW (CFM)	RPM	WATTS	BHP
T1 ***	0.1	1660	745	316	0.34
	0.2	1625	770	327	0.36
	0.3	1555	800	339	0.37
	0.4	1515	835	348	0.39
	0.5	1480	860	360	0.40
	0.6	1425	895	374	0.41
	0.7	1370	930	386	0.43
	0.8	1320	955	397	0.44
T2 ***	0.1	1350	620	203	0.21
	0.2	1300	660	213	0.22
	0.3	1245	700	225	0.23
	0.4	1175	745	238	0.25
	0.5	1110	790	251	0.26
	0.6	1050	830	263	0.28
	0.7	990	870	274	0.29
	0.8	915	910	286	0.30
T3 ****	0.1	2180	905	598	0.66
	0.2	2150	925	609	0.68
	0.3	2095	950	627	0.70
	0.4	2060	975	642	0.71
	0.5	2040	995	650	0.73
	0.6	1990	1025	671	0.75
	0.7	1955	1045	683	0.77
	0.8	1915	1070	694	0.78
T4	0.1	2145	880	606	0.66
	0.2	2090	905	621	0.68
	0.3	2050	925	636	0.70
	0.4	2015	950	650	0.71
	0.5	1975	975	666	0.73
	0.6	1935	1005	682	0.76
	0.7	1890	1030	698	0.77
	0.8	1850	1055	714	0.79
T5	0.1	2390	970	851	0.92
	0.2	2360	990	866	0.94
	0.3	2315	1015	884	0.97
	0.4	2270	1035	900	0.99
	0.5	2235	1060	916	1.01
	0.6	2200	1075	931	1.02
	0.7	2160	1100	947	1.05
	0.8	2115	1120	964	1.07

DSG0723D / DSG0724D / DSG0727D 140K HORIZONTAL					
STANDARD STATIC DRIVE					
TAP	EXTERNAL STATIC PRESSURE (ESP) in w.c	AIRFLOW (CFM)	RPM	WATTS	BHP
T1 ***	0.1	1745	725	310	0.33
	0.2	1705	745	320	0.34
	0.3	1635	775	332	0.36
	0.4	1590	810	341	0.37
	0.5	1555	835	353	0.39
	0.6	1495	870	367	0.40
	0.7	1440	900	378	0.42
	0.8	1385	925	389	0.43
T2 ***	0.1	1420	600	199	0.20
	0.2	1365	640	209	0.21
	0.3	1305	680	221	0.23
	0.4	1235	725	233	0.24
	0.5	1165	765	246	0.25
	0.6	1105	805	258	0.27
	0.7	1040	845	269	0.28
	0.8	960	885	280	0.29
T3 ****	0.1	2290	880	586	0.65
	0.2	2260	895	597	0.66
	0.3	2200	920	614	0.67
	0.4	2165	945	629	0.69
	0.5	2140	965	637	0.71
	0.6	2090	995	658	0.73
	0.7	2055	1015	669	0.74
	0.8	2010	1040	680	0.76
T4	0.1	2250	855	594	0.64
	0.2	2195	880	609	0.66
	0.3	2155	895	623	0.67
	0.4	2115	920	637	0.69
	0.5	2075	945	653	0.71
	0.6	2030	975	668	0.73
	0.7	1985	1000	684	0.75
	0.8	1945	1025	700	0.77
T5	0.1	2510	940	834	0.89
	0.2	2480	960	849	0.91
	0.3	2430	985	866	0.94
	0.4	2385	1005	882	0.96
	0.5	2345	1030	898	0.98
	0.6	2310	1045	912	0.99
	0.7	2270	1065	928	1.01
	0.8	2220	1085	945	1.03

***VALUES ARE FOR PART LOAD ONLY
****VALUES ARE FOR HIGH HEAT MODE ONLY

APPENDIX A BLOWER PERFORMANCE TABLES

DSG0723W / DSG0724W / DSG0727W 90K DOWNSHOT HIGH STATIC DRIVE					
TAP	EXTERNAL STATIC PRESSURE (ESP) in w.c	AIRFLOW (CFM)	RPM	WATTS	BHP
T1 ***	0.6	1375	890	419	0.37
	0.7	1330	915	427	0.38
	0.8	1290	945	439	0.40
	0.9	1230	975	451	0.41
	1.0	1185	1010	465	0.42
	1.1	1135	1040	479	0.44
	1.2	1080	1075	496	0.45
	1.3	1025	1110	511	0.47
	1.4	975	1140	522	0.48
	1.5	965	1170	588	0.49
1.6	910	1200	596	0.50	
1.7	850	1225	610	0.51	
1.8	765	1255	568	0.53	
T2 ***	0.6	1940	1050	780	0.81
	0.7	1895	1075	800	0.83
	0.8	1855	1100	816	0.85
	0.9	1820	1125	832	0.87
	1.0	1785	1145	847	0.88
	1.1	1750	1170	862	0.90
	1.2	1705	1195	878	0.92
	1.3	1665	1220	894	0.94
	1.4	1620	1240	911	0.95
	1.5	1585	1265	935	0.97
1.6	1540	1290	953	0.99	
1.7	1495	1310	968	1.01	
1.8	1440	1330	980	1.02	
T3 ****	0.6	1675	975	589	0.59
	0.7	1635	1000	604	0.60
	0.8	1595	1025	619	0.62
	0.9	1545	1055	632	0.63
	1.0	1505	1080	646	0.65
	1.1	1465	1110	661	0.67
	1.2	1420	1135	677	0.68
	1.3	1370	1165	692	0.70
	1.4	1325	1190	706	0.72
	1.5	1295	1220	747	0.73
1.6	1250	1245	761	0.75	
1.7	1195	1265	775	0.76	
1.8	1130	1290	765	0.78	
T4	0.6	2690	1260	1639	1.68
	0.7	2650	1285	1665	1.72
	0.8	2615	1305	1689	1.74
	0.9	2580	1325	1712	1.77
	1.0	2545	1345	1738	1.80
	1.1	2510	1365	1760	1.82
	1.2	2475	1385	1783	1.85
	1.3	2450	1400	1804	1.87
	1.4	2415	1415	1826	1.89
	1.5	2380	1435	1841	1.92
1.6	2345	1455	1863	1.94	
1.7	2315	1475	1882	1.97	
1.8	2280	1495	1912	2.00	
T5	0.6	1795	1005	670	0.68
	0.7	1750	1035	687	0.70
	0.8	1710	1060	702	0.72
	0.9	1670	1085	717	0.73
	1.0	1630	1110	732	0.75
	1.1	1595	1135	746	0.77
	1.2	1550	1160	762	0.78
	1.3	1505	1190	777	0.80
	1.4	1455	1215	793	0.82
	1.5	1425	1240	825	0.84
1.6	1380	1265	841	0.85	
1.7	1330	1285	856	0.87	
1.8	-	-	-	-	

DSG0723W / DSG0724W / DSG0727W 90K DOWNSHOT HIGH STATIC DRIVE					
TAP	EXTERNAL STATIC PRESSURE (ESP) in w.c	AIRFLOW (CFM)	RPM	WATTS	BHP
T1' ***	0.6	1630	960	561	0.55
	0.7	1590	985	575	0.56
	0.8	1550	1015	589	0.58
	0.9	1500	1045	602	0.60
	1.0	1460	1070	617	0.61
	1.1	1420	1100	631	0.63
	1.2	1370	1125	647	0.65
	1.3	1320	1155	662	0.66
	1.4	1270	1185	676	0.68
	1.5	1250	1210	720	0.69
1.6	1200	1240	733	0.71	
1.7	1145	1260	747	0.72	
1.8	1075	1285	733	0.74	
T2' ***	0.6	2100	1095	921	0.96
	0.7	2060	1120	943	0.99
	0.8	2020	1145	960	1.01
	0.9	1985	1165	977	1.02
	1.0	1950	1185	994	1.04
	1.1	1920	1210	1010	1.06
	1.2	1880	1230	1026	1.08
	1.3	1840	1255	1043	1.10
	1.4	1800	1275	1061	1.12
	1.5	1760	1295	1078	1.14
1.6	1720	1320	1097	1.16	
1.7	1675	1340	1114	1.18	
1.8	1630	1360	1136	1.20	
T3' ****	0.6	1875	1030	729	0.75
	0.7	1830	1055	747	0.77
	0.8	1790	1080	763	0.78
	0.9	1750	1105	778	0.80
	1.0	1715	1130	793	0.82
	1.1	1680	1155	808	0.84
	1.2	1635	1180	824	0.86
	1.3	1590	1205	839	0.88
	1.4	1545	1230	856	0.89
	1.5	1515	1255	883	0.91
1.6	1470	1275	900	0.93	
1.7	1420	1300	915	0.94	
1.8	1365	1320	923	0.96	
T4'	0.6	2775	1290	1785	1.82
	0.7	2740	1310	1811	1.85
	0.8	2700	1330	1836	1.88
	0.9	2665	1350	1861	1.91
	1.0	2630	1370	1888	1.94
	1.1	2595	1390	1912	1.97
	1.2	2560	1410	1936	1.99
	1.3	2535	1425	1959	2.01
	1.4	2500	1440	1981	2.04
	1.5	2470	1460	2001	2.06
1.6	2435	1480	2022	2.09	
1.7	2405	1500	2042	2.12	
1.8	2370	1500	2064	2.12	
T5'	0.6	2010	1070	839	0.87
	0.7	1965	1095	859	0.89
	0.8	1930	1120	877	0.91
	0.9	1890	1140	893	0.93
	1.0	1855	1165	909	0.95
	1.1	1825	1185	924	0.97
	1.2	1780	1210	940	0.99
	1.3	1740	1235	956	1.01
	1.4	1695	1255	974	1.03
	1.5	1660	1280	994	1.05
1.6	1620	1300	1013	1.06	
1.7	1575	1320	1029	1.08	
1.8	1525	1345	1046	1.10	

***VALUES ARE FOR PART LOAD ONLY
****VALUES ARE FOR HIGH HEAT MODE ONLY

APPENDIX A BLOWER PERFORMANCE TABLES

DSG0723W / DSG0724W / DSG0727W 90K HORIZONTAL HIGH STATIC DRIVE					
TAP	EXTERNAL STATIC PRESSURE (ESP) in w.c	AIRFLOW (CFM)	RPM	WATTS	BHP
T1 ***	0.6	1415	855	404	0.36
	0.7	1370	880	412	0.37
	0.8	1330	905	424	0.38
	0.9	1265	935	435	0.39
	1.0	1220	970	449	0.41
	1.1	1170	1000	462	0.42
	1.2	1110	1030	479	0.43
	1.3	1055	1065	493	0.45
	1.4	1005	1095	504	0.46
	1.5	995	1125	567	0.47
1.6	935	1150	575	0.48	
1.7	875	1175	589	0.49	
1.8	790	1205	548	0.51	
T2 ***	0.6	2000	1010	753	0.78
	0.7	1950	1030	772	0.79
	0.8	1910	1055	787	0.81
	0.9	1875	1080	803	0.83
	1.0	1840	1100	817	0.85
	1.1	1805	1125	832	0.87
	1.2	1755	1145	847	0.88
	1.3	1715	1170	863	0.90
	1.4	1670	1190	879	0.92
	1.5	1635	1215	902	0.94
1.6	1585	1240	920	0.95	
1.7	1540	1260	934	0.97	
1.8	1485	1275	946	0.98	
T3 ****	0.6	1725	935	568	0.56
	0.7	1685	960	583	0.58
	0.8	1645	985	597	0.59
	0.9	1590	1015	610	0.61
	1.0	1550	1035	623	0.62
	1.1	1510	1065	638	0.64
	1.2	1465	1090	653	0.65
	1.3	1410	1120	668	0.67
	1.4	1365	1140	681	0.68
	1.5	1335	1170	721	0.70
1.6	1290	1195	734	0.72	
1.7	1230	1215	748	0.73	
1.8	1165	1240	738	0.75	
T4	0.6	2770	1210	1582	1.62
	0.7	2730	1235	1607	1.65
	0.8	2695	1255	1630	1.68
	0.9	2655	1270	1652	1.70
	1.0	2620	1290	1677	1.72
	1.1	2585	1310	1698	1.75
	1.2	2550	1330	1721	1.78
	1.3	2525	1345	1741	1.80
	1.4	2485	1360	1762	1.82
	1.5	2450	1380	1777	1.84
1.6	2415	1395	1798	1.86	
1.7	2385	1415	1816	1.89	
1.8	2350	1435	1845	1.92	
T5	0.6	1850	965	647	0.65
	0.7	1805	995	663	0.67
	0.8	1760	1020	677	0.69
	0.9	1720	1040	692	0.70
	1.0	1680	1065	706	0.72
	1.1	1645	1090	720	0.74
	1.2	1595	1115	735	0.75
	1.3	1550	1140	750	0.77
	1.4	1500	1165	765	0.79
	1.5	1470	1190	796	0.80
1.6	1420	1215	812	0.82	
1.7	1370	1235	826	0.83	
1.8	1310	1260	827	0.85	

DSG0723W / DSG0724W / DSG0727W 90K HORIZONTAL HIGH STATIC DRIVE					
TAP	EXTERNAL STATIC PRESSURE (ESP) in w.c	AIRFLOW (CFM)	RPM	WATTS	BHP
T1' ***	0.6	1680	920	541	0.53
	0.7	1640	945	555	0.54
	0.8	1595	975	568	0.56
	0.9	1545	1005	581	0.58
	1.0	1505	1025	595	0.59
	1.1	1465	1055	609	0.60
	1.2	1410	1080	624	0.62
	1.3	1360	1110	639	0.64
	1.4	1310	1140	652	0.65
	1.5	1290	1160	695	0.67
1.6	1235	1190	707	0.68	
1.7	1180	1210	721	0.69	
1.8	1105	1235	707	0.71	
T2' ***	0.6	2165	1050	889	0.92
	0.7	2120	1075	910	0.95
	0.8	2080	1100	926	0.97
	0.9	2045	1120	943	0.99
	1.0	2010	1140	959	1.00
	1.1	1980	1160	975	1.02
	1.2	1935	1180	990	1.04
	1.3	1895	1205	1006	1.06
	1.4	1855	1225	1024	1.08
	1.5	1815	1245	1040	1.10
1.6	1770	1265	1059	1.11	
1.7	1725	1285	1075	1.13	
1.8	1680	1305	1096	1.15	
T3' ****	0.6	1930	990	703	0.72
	0.7	1885	1015	721	0.74
	0.8	1845	1035	736	0.75
	0.9	1805	1060	751	0.77
	1.0	1765	1085	765	0.79
	1.1	1730	1110	780	0.81
	1.2	1685	1135	795	0.82
	1.3	1640	1155	810	0.84
	1.4	1590	1180	826	0.86
	1.5	1560	1205	852	0.88
1.6	1515	1225	869	0.89	
1.7	1465	1250	883	0.91	
1.8	1405	1265	891	0.92	
T4'	0.6	2860	1240	1723	1.75
	0.7	2820	1260	1748	1.78
	0.8	2780	1275	1772	1.80
	0.9	2745	1295	1796	1.83
	1.0	2710	1315	1822	1.86
	1.1	2675	1335	1845	1.89
	1.2	2635	1355	1868	1.92
	1.3	2610	1370	1890	1.94
	1.4	2575	1380	1912	1.95
	1.5	2545	1400	1931	1.98
1.6	2510	1420	1951	2.01	
1.7	2475	1440	1971	2.04	
1.8	2440	1440	1992	2.04	
T5'	0.6	2070	1025	810	0.84
	0.7	2025	1050	829	0.86
	0.8	1990	1075	846	0.88
	0.9	1945	1095	862	0.89
	1.0	1910	1120	877	0.91
	1.1	1880	1140	892	0.93
	1.2	1835	1160	907	0.95
	1.3	1790	1185	923	0.97
	1.4	1745	1205	940	0.98
	1.5	1710	1230	959	1.00
1.6	1670	1250	978	1.02	
1.7	1620	1265	993	1.03	
1.8	1570	1290	1009	1.05	

***VALUES ARE FOR PART LOAD ONLY

****VALUES ARE FOR HIGH HEAT MODE ONLY

APPENDIX A BLOWER PERFORMANCE TABLES

DSG0723W / DSG0724W / DSG0727W 115K DOWNSHOT HIGH STATIC DRIVE					
TAP	EXTERNAL STATIC PRESSURE (ESP) in w.c	AIRFLOW (CFM)	RPM	WATTS	BHP
T1 ***	0.6	1610	955	549	0.54
	0.7	1570	980	563	0.55
	0.8	1530	1010	577	0.57
	0.9	1480	1040	590	0.58
	1.0	1440	1065	604	0.60
	1.1	1395	1095	618	0.61
	1.2	1345	1125	634	0.63
	1.3	1295	1150	649	0.65
	1.4	1250	1180	663	0.66
	1.5	1225	1210	709	0.68
1.6	1175	1235	722	0.69	
1.7	1125	1260	736	0.71	
1.8	1055	1285	720	0.72	
T2 ***	0.6	1940	1050	780	0.81
	0.7	1895	1075	800	0.83
	0.8	1855	1100	816	0.85
	0.9	1820	1125	832	0.87
	1.0	1785	1145	847	0.88
	1.1	1750	1170	862	0.90
	1.2	1705	1195	878	0.92
	1.3	1665	1220	894	0.94
	1.4	1620	1240	911	0.95
	1.5	1585	1265	935	0.97
1.6	1540	1290	953	0.99	
1.7	1495	1310	968	1.01	
1.8	1440	1330	980	1.02	
T3 ****	0.6	2105	1095	926	0.97
	0.7	2065	1120	948	0.99
	0.8	2025	1145	966	1.01
	0.9	1990	1165	983	1.03
	1.0	1960	1190	1000	1.05
	1.1	1925	1210	1016	1.07
	1.2	1885	1235	1032	1.09
	1.3	1850	1255	1049	1.11
	1.4	1805	1275	1067	1.13
	1.5	1765	1300	1083	1.15
1.6	1725	1320	1103	1.17	
1.7	1680	1340	1119	1.18	
1.8	1635	1360	1142	1.20	
T4	0.6	2690	1260	1639	1.68
	0.7	2650	1285	1665	1.72
	0.8	2615	1305	1689	1.74
	0.9	2580	1325	1712	1.77
	1.0	2545	1345	1738	1.80
	1.1	2510	1365	1760	1.82
	1.2	2475	1385	1783	1.85
	1.3	2450	1400	1804	1.87
	1.4	2415	1415	1826	1.89
	1.5	2380	1435	1841	1.92
1.6	2345	1455	1863	1.94	
1.7	2315	1475	1882	1.97	
1.8	2280	1495	1912	2.00	
T5	0.6	2210	1125	1029	1.08
	0.7	2170	1150	1052	1.10
	0.8	2130	1175	1071	1.13
	0.9	2100	1195	1089	1.15
	1.0	2065	1215	1107	1.16
	1.1	2035	1235	1123	1.18
	1.2	1995	1260	1140	1.21
	1.3	1960	1280	1158	1.23
	1.4	1920	1300	1177	1.25
	1.5	1880	1320	1190	1.26
1.6	1840	1340	1210	1.28	
1.7	1800	1360	1227	1.30	
1.8	-	-	-	-	

DSG0723W / DSG0724W / DSG0727W 115K DOWNSHOT HIGH STATIC DRIVE					
TAP	EXTERNAL STATIC PRESSURE (ESP) in w.c	AIRFLOW (CFM)	RPM	WATTS	BHP
T1' ***	0.6	1845	1020	706	0.72
	0.7	1800	1045	724	0.74
	0.8	1760	1075	739	0.76
	0.9	1720	1100	754	0.78
	1.0	1685	1120	769	0.79
	1.1	1645	1145	784	0.81
	1.2	1600	1175	800	0.83
	1.3	1560	1200	815	0.85
	1.4	1510	1225	831	0.87
	1.5	1480	1250	861	0.88
1.6	1435	1270	877	0.90	
1.7	1385	1295	892	0.92	
1.8	1330	1315	897	0.93	
T2' ***	0.6	2100	1095	921	0.96
	0.7	2060	1120	943	0.99
	0.8	2020	1145	960	1.01
	0.9	1985	1165	977	1.02
	1.0	1950	1185	994	1.04
	1.1	1920	1210	1010	1.06
	1.2	1880	1230	1026	1.08
	1.3	1840	1255	1043	1.10
	1.4	1800	1275	1061	1.12
	1.5	1760	1295	1078	1.14
1.6	1720	1320	1097	1.16	
1.7	1675	1340	1114	1.18	
1.8	1630	1360	1136	1.20	
T3' ****	0.6	2285	1145	1109	1.16
	0.7	2245	1170	1133	1.19
	0.8	2205	1195	1152	1.21
	0.9	2175	1215	1171	1.23
	1.0	2145	1235	1190	1.25
	1.1	2110	1255	1207	1.27
	1.2	2075	1275	1224	1.29
	1.3	2040	1295	1242	1.31
	1.4	2000	1315	1261	1.33
	1.5	1960	1335	1273	1.35
1.6	1920	1355	1294	1.37	
1.7	1880	1375	1311	1.39	
1.8	1840	1395	1341	1.41	
T4'	0.6	2775	1290	1785	1.82
	0.7	2740	1310	1811	1.85
	0.8	2700	1330	1836	1.88
	0.9	2665	1350	1861	1.91
	1.0	2630	1370	1888	1.94
	1.1	2595	1390	1912	1.97
	1.2	2560	1410	1936	1.99
	1.3	2535	1425	1959	2.01
	1.4	2500	1440	1981	2.04
	1.5	2470	1460	2001	2.06
1.6	2435	1480	2022	2.09	
1.7	2405	1500	2042	2.12	
1.8	2370	1500	2064	2.12	
T5'	0.6	2390	1175	1228	1.28
	0.7	2350	1200	1253	1.31
	0.8	2310	1225	1273	1.34
	0.9	2280	1245	1293	1.36
	1.0	2250	1265	1314	1.38
	1.1	2220	1280	1331	1.40
	1.2	2180	1300	1350	1.42
	1.3	2150	1320	1368	1.44
	1.4	2110	1340	1389	1.46
	1.5	2070	1360	1399	1.48
1.6	2035	1380	1420	1.51	
1.7	1995	1400	1438	1.53	
1.8	1960	1420	1471	1.55	

***VALUES ARE FOR PART LOAD ONLY

****VALUES ARE FOR HIGH HEAT MODE ONLY

APPENDIX A BLOWER PERFORMANCE TABLES

DSG0723W / DSG0724W / DSG0727W 115K HORIZONTAL HIGH STATIC DRIVE					
TAP	EXTERNAL STATIC PRESSURE (ESP) in w.c.	AIRFLOW (CFM)	RPM	WATTS	BHP
T1 ***	0.6	1660	915	530	0.51
	0.7	1615	940	543	0.53
	0.8	1575	970	557	0.54
	0.9	1525	1000	569	0.56
	1.0	1485	1020	583	0.57
	1.1	1435	1050	596	0.59
	1.2	1385	1080	612	0.61
	1.3	1335	1105	626	0.62
	1.4	1290	1135	640	0.64
	1.5	1260	1160	684	0.65
1.6	1210	1185	697	0.67	
1.7	1160	1210	710	0.68	
1.8	1085	1235	695	0.69	
T2 ***	0.6	2000	1010	753	0.78
	0.7	1950	1030	772	0.79
	0.8	1910	1055	787	0.81
	0.9	1875	1080	803	0.83
	1.0	1840	1100	817	0.85
	1.1	1805	1125	832	0.87
	1.2	1755	1145	847	0.88
	1.3	1715	1170	863	0.90
	1.4	1670	1190	879	0.92
	1.5	1635	1215	902	0.94
1.6	1585	1240	920	0.95	
1.7	1540	1260	934	0.97	
1.8	1485	1275	946	0.98	
T3 ****	0.6	2170	1050	894	0.93
	0.7	2125	1075	915	0.95
	0.8	2085	1100	932	0.97
	0.9	2050	1120	949	0.99
	1.0	2020	1140	965	1.01
	1.1	1985	1160	980	1.02
	1.2	1940	1185	996	1.05
	1.3	1905	1205	1012	1.06
	1.4	1860	1225	1030	1.08
	1.5	1820	1250	1045	1.10
1.6	1775	1265	1064	1.12	
1.7	1730	1285	1080	1.14	
1.8	1685	1305	1102	1.15	
T4	0.6	2770	1210	1582	1.62
	0.7	2730	1235	1607	1.65
	0.8	2695	1255	1630	1.68
	0.9	2655	1270	1652	1.70
	1.0	2620	1290	1677	1.72
	1.1	2585	1310	1698	1.75
	1.2	2550	1330	1721	1.78
	1.3	2525	1345	1741	1.80
	1.4	2485	1360	1762	1.82
	1.5	2450	1380	1777	1.84
1.6	2415	1395	1798	1.86	
1.7	2385	1415	1816	1.89	
1.8	2350	1435	1845	1.92	
T5	0.6	2275	1080	993	1.03
	0.7	2235	1105	1015	1.06
	0.8	2195	1130	1034	1.08
	0.9	2165	1145	1051	1.10
	1.0	2125	1165	1068	1.12
	1.1	2095	1185	1084	1.14
	1.2	2055	1210	1100	1.16
	1.3	2020	1230	1117	1.18
	1.4	1980	1250	1136	1.20
	1.5	1935	1265	1148	1.21
1.6	1895	1285	1168	1.23	
1.7	1855	1305	1184	1.25	
1.8	1810	1325	1211	1.27	

DSG0723W / DSG0724W / DSG0727W 115K HORIZONTAL HIGH STATIC DRIVE					
TAP	EXTERNAL STATIC PRESSURE (ESP) in w.c.	AIRFLOW (CFM)	RPM	WATTS	BHP
T1' ***	0.6	1900	980	681	0.69
	0.7	1855	1005	699	0.71
	0.8	1815	1030	713	0.73
	0.9	1770	1055	728	0.75
	1.0	1735	1075	742	0.76
	1.1	1695	1100	757	0.78
	1.2	1650	1130	772	0.80
	1.3	1605	1150	786	0.81
	1.4	1555	1175	802	0.83
	1.5	1525	1200	831	0.85
1.6	1480	1220	846	0.86	
1.7	1425	1245	861	0.88	
1.8	1370	1260	866	0.89	
T2' ***	0.6	2165	1050	889	0.92
	0.7	2120	1075	910	0.95
	0.8	2080	1100	926	0.97
	0.9	2045	1120	943	0.99
	1.0	2010	1140	959	1.00
	1.1	1980	1160	975	1.02
	1.2	1935	1180	990	1.04
	1.3	1895	1205	1006	1.06
	1.4	1855	1225	1024	1.08
	1.5	1815	1245	1040	1.10
1.6	1770	1265	1059	1.11	
1.7	1725	1285	1075	1.13	
1.8	1680	1305	1096	1.15	
T3' ****	0.6	2355	1100	1070	1.11
	0.7	2310	1125	1093	1.14
	0.8	2270	1145	1112	1.16
	0.9	2240	1165	1130	1.18
	1.0	2210	1185	1148	1.20
	1.1	2175	1205	1165	1.22
	1.2	2135	1225	1181	1.24
	1.3	2100	1245	1199	1.26
	1.4	2060	1260	1217	1.28
	1.5	2020	1280	1228	1.30
1.6	1980	1300	1249	1.32	
1.7	1935	1320	1265	1.34	
1.8	1895	1340	1294	1.36	
T4'	0.6	2860	1240	1723	1.75
	0.7	2820	1260	1748	1.78
	0.8	2780	1275	1772	1.80
	0.9	2745	1295	1796	1.83
	1.0	2710	1315	1822	1.86
	1.1	2675	1335	1845	1.89
	1.2	2635	1355	1868	1.92
	1.3	2610	1370	1890	1.94
	1.4	2575	1380	1912	1.95
	1.5	2545	1400	1931	1.98
1.6	2510	1420	1951	2.01	
1.7	2475	1440	1971	2.04	
1.8	2440	1440	1992	2.04	
T5'	0.6	2460	1130	1185	1.23
	0.7	2420	1150	1209	1.26
	0.8	2380	1175	1228	1.28
	0.9	2350	1195	1248	1.30
	1.0	2320	1215	1268	1.33
	1.1	2285	1230	1284	1.34
	1.2	2245	1250	1303	1.36
	1.3	2215	1265	1320	1.38
	1.4	2175	1285	1340	1.40
	1.5	2130	1305	1350	1.42
1.6	2095	1325	1370	1.45	
1.7	2055	1345	1388	1.47	
1.8	2020	1365	1420	1.49	

***VALUES ARE FOR PART LOAD ONLY
 ****VALUES ARE FOR HIGH HEAT MODE ONLY

APPENDIX A BLOWER PERFORMANCE TABLES

DSG0723W / DSG0724W / DSG0727W 140K DOWNSHOT HIGH STATIC DRIVE					
TAP	EXTERNAL STATIC PRESSURE (ESP) in w.c.	AIRFLOW (CFM)	RPM	WATTS	BHP
T1 ***	0.6	1515	930	492	0.47
	0.7	1470	955	504	0.48
	0.8	1430	985	517	0.50
	0.9	1380	1015	529	0.51
	1.0	1335	1040	543	0.52
	1.1	1290	1070	557	0.54
	1.2	1240	1105	574	0.56
	1.3	1185	1135	589	0.57
	1.4	1140	1165	602	0.59
	1.5	1120	1195	655	0.60
1.6	1065	1220	666	0.61	
1.7	1010	1245	680	0.63	
1.8	935	1270	654	0.64	
T2 ***	0.6	1940	1050	780	0.81
	0.7	1895	1075	800	0.83
	0.8	1855	1100	816	0.85
	0.9	1820	1125	832	0.87
	1.0	1785	1145	847	0.88
	1.1	1750	1170	862	0.90
	1.2	1705	1195	878	0.92
	1.3	1665	1220	894	0.94
	1.4	1620	1240	911	0.95
	1.5	1585	1265	935	0.97
1.6	1540	1290	953	0.99	
1.7	1495	1310	968	1.01	
1.8	1440	1330	980	1.02	
T3 ****	0.6	2050	1080	874	0.91
	0.7	2010	1105	895	0.93
	0.8	1970	1130	913	0.95
	0.9	1935	1150	929	0.97
	1.0	1900	1175	946	0.99
	1.1	1865	1195	961	1.01
	1.2	1825	1220	977	1.03
	1.3	1785	1240	994	1.05
	1.4	1740	1265	1011	1.07
	1.5	1705	1285	1030	1.08
1.6	1665	1310	1049	1.11	
1.7	1620	1330	1065	1.12	
1.8	1570	1350	1085	1.14	
T4	0.6	2690	1260	1639	1.68
	0.7	2650	1285	1665	1.72
	0.8	2615	1305	1689	1.74
	0.9	2580	1325	1712	1.77
	1.0	2545	1345	1738	1.80
	1.1	2510	1365	1760	1.82
	1.2	2475	1385	1783	1.85
	1.3	2450	1400	1804	1.87
	1.4	2415	1415	1826	1.89
	1.5	2380	1435	1841	1.92
1.6	2345	1455	1863	1.94	
1.7	2315	1475	1882	1.97	
1.8	2280	1495	1912	2.00	
T5	0.6	2170	1115	985	1.03
	0.7	2125	1140	1008	1.06
	0.8	2085	1160	1026	1.08
	0.9	2055	1185	1044	1.10
	1.0	2020	1205	1061	1.12
	1.1	1990	1225	1077	1.14
	1.2	1950	1245	1094	1.15
	1.3	1915	1270	1111	1.18
	1.4	1870	1290	1130	1.20
	1.5	1830	1310	1144	1.21
1.6	1790	1330	1164	1.23	
1.7	1750	1350	1181	1.25	
1.8	1705	1375	1206	1.27	

DSG0723W / DSG0724W / DSG0727W 140K DOWNSHOT HIGH STATIC DRIVE					
TAP	EXTERNAL STATIC PRESSURE (ESP) in w.c.	AIRFLOW (CFM)	RPM	WATTS	BHP
T1' ***	0.6	1755	995	644	0.65
	0.7	1715	1025	660	0.67
	0.8	1675	1050	675	0.68
	0.9	1630	1075	689	0.70
	1.0	1595	1100	704	0.72
	1.1	1555	1125	718	0.73
	1.2	1505	1155	734	0.75
	1.3	1460	1180	749	0.77
	1.4	1415	1205	765	0.79
	1.5	1385	1235	800	0.81
1.6	1340	1260	815	0.82	
1.7	1290	1280	830	0.83	
1.8	1225	1305	827	0.85	
T2' ***	0.6	2100	1095	921	0.96
	0.7	2060	1120	943	0.99
	0.8	2020	1145	960	1.01
	0.9	1985	1165	977	1.02
	1.0	1950	1185	994	1.04
	1.1	1920	1210	1010	1.06
	1.2	1880	1230	1026	1.08
	1.3	1840	1255	1043	1.10
	1.4	1800	1275	1061	1.12
	1.5	1760	1295	1078	1.14
1.6	1720	1320	1097	1.16	
1.7	1675	1340	1114	1.18	
1.8	1630	1360	1136	1.20	
T3' ****	0.6	2235	1130	1051	1.10
	0.7	2190	1155	1075	1.12
	0.8	2155	1180	1094	1.15
	0.9	2120	1200	1112	1.17
	1.0	2090	1220	1130	1.19
	1.1	2055	1240	1147	1.21
	1.2	2015	1265	1164	1.23
	1.3	1985	1285	1181	1.25
	1.4	1940	1305	1200	1.27
	1.5	1900	1325	1213	1.29
1.6	1865	1345	1234	1.31	
1.7	1820	1365	1251	1.33	
1.8	1780	1385	1279	1.35	
T4'	0.6	2775	1290	1785	1.82
	0.7	2740	1310	1811	1.85
	0.8	2700	1330	1836	1.88
	0.9	2665	1350	1861	1.91
	1.0	2630	1370	1888	1.94
	1.1	2595	1390	1912	1.97
	1.2	2560	1410	1936	1.99
	1.3	2535	1425	1959	2.01
	1.4	2500	1440	1981	2.04
	1.5	2470	1460	2001	2.06
1.6	2435	1480	2022	2.09	
1.7	2405	1500	2042	2.12	
1.8	2370	1500	2064	2.12	
T5'	0.6	2340	1160	1167	1.22
	0.7	2300	1185	1192	1.25
	0.8	2260	1210	1212	1.27
	0.9	2230	1230	1231	1.29
	1.0	2195	1250	1251	1.32
	1.1	2165	1270	1268	1.34
	1.2	2125	1290	1286	1.36
	1.3	2095	1310	1304	1.38
	1.4	2055	1330	1324	1.40
	1.5	2015	1345	1335	1.42
1.6	1975	1365	1356	1.44	
1.7	1940	1385	1374	1.46	
1.8	1900	1410	1405	1.48	

***VALUES ARE FOR PART LOAD ONLY
****VALUES ARE FOR HIGH HEAT MODE ONLY

APPENDIX A BLOWER PERFORMANCE TABLES

DSG0723W / DSG0724W / DSG0727W 140K HORIZONTAL HIGH STATIC DRIVE					
TAP	EXTERNAL STATIC PRESSURE (ESP) in w.c	AIRFLOW (CFM)	RPM	WATTS	BHP
T1 ***	0.6	1560	895	475	0.45
	0.7	1515	915	486	0.46
	0.8	1475	945	499	0.48
	0.9	1420	975	510	0.49
	1.0	1375	1000	524	0.50
	1.1	1330	1025	538	0.52
	1.2	1275	1060	554	0.53
	1.3	1220	1090	568	0.55
	1.4	1175	1120	581	0.56
	1.5	1155	1145	632	0.58
1.6	1095	1170	643	0.59	
1.7	1040	1195	656	0.60	
1.8	965	1220	631	0.61	
T2 ***	0.6	2000	1010	753	0.78
	0.7	1950	1030	772	0.79
	0.8	1910	1055	787	0.81
	0.9	1875	1080	803	0.83
	1.0	1840	1100	817	0.85
	1.1	1805	1125	832	0.87
	1.2	1755	1145	847	0.88
	1.3	1715	1170	863	0.90
	1.4	1670	1190	879	0.92
	1.5	1635	1215	902	0.94
1.6	1585	1240	920	0.95	
1.7	1540	1260	934	0.97	
1.8	1485	1275	946	0.98	
T3 ****	0.6	2110	1035	843	0.87
	0.7	2070	1060	864	0.89
	0.8	2030	1085	881	0.92
	0.9	1995	1105	896	0.93
	1.0	1955	1130	913	0.95
	1.1	1920	1145	927	0.97
	1.2	1880	1170	943	0.99
	1.3	1840	1190	959	1.00
	1.4	1790	1215	976	1.03
	1.5	1755	1235	994	1.04
1.6	1715	1260	1012	1.06	
1.7	1670	1275	1028	1.08	
1.8	1615	1295	1047	1.09	
T4	0.6	2770	1210	1582	1.62
	0.7	2730	1235	1607	1.65
	0.8	2695	1255	1630	1.68
	0.9	2655	1270	1652	1.70
	1.0	2620	1290	1677	1.72
	1.1	2585	1310	1698	1.75
	1.2	2550	1330	1721	1.78
	1.3	2525	1345	1741	1.80
	1.4	2485	1360	1762	1.82
	1.5	2450	1380	1777	1.84
1.6	2415	1395	1798	1.86	
1.7	2385	1415	1816	1.89	
1.8	2350	1435	1845	1.92	
T5	0.6	2235	1070	951	0.99
	0.7	2190	1095	973	1.01
	0.8	2150	1115	990	1.03
	0.9	2115	1140	1007	1.06
	1.0	2080	1155	1024	1.07
	1.1	2050	1175	1039	1.09
	1.2	2010	1195	1056	1.11
	1.3	1970	1220	1072	1.13
	1.4	1925	1240	1090	1.15
	1.5	1885	1260	1104	1.17
1.6	1845	1275	1123	1.18	
1.7	1805	1295	1140	1.20	
1.8	-	-	-	-	

DSG0723W / DSG0724W / DSG0727W 140K HORIZONTAL HIGH STATIC DRIVE					
TAP	EXTERNAL STATIC PRESSURE (ESP) in w.c	AIRFLOW (CFM)	RPM	WATTS	BHP
T1' ***	0.6	1810	955	621	0.62
	0.7	1765	985	637	0.64
	0.8	1725	1010	651	0.66
	0.9	1680	1030	665	0.67
	1.0	1645	1055	679	0.69
	1.1	1600	1080	693	0.70
	1.2	1550	1110	708	0.72
	1.3	1505	1135	723	0.74
	1.4	1455	1155	738	0.75
	1.5	1425	1185	772	0.77
1.6	1380	1210	786	0.79	
1.7	1330	1230	801	0.80	
1.8	1260	1255	798	0.82	
T2' ***	0.6	2165	1050	889	0.92
	0.7	2120	1075	910	0.95
	0.8	2080	1100	926	0.97
	0.9	2045	1120	943	0.99
	1.0	2010	1140	959	1.00
	1.1	1980	1160	975	1.02
	1.2	1935	1180	990	1.04
	1.3	1895	1205	1006	1.06
	1.4	1855	1225	1024	1.08
	1.5	1815	1245	1040	1.10
1.6	1770	1265	1059	1.11	
1.7	1725	1285	1075	1.13	
1.8	1680	1305	1096	1.15	
T3' ****	0.6	2300	1085	1014	1.06
	0.7	2255	1110	1037	1.08
	0.8	2220	1135	1056	1.11
	0.9	2185	1150	1073	1.12
	1.0	2155	1170	1090	1.14
	1.1	2115	1190	1107	1.16
	1.2	2075	1215	1123	1.18
	1.3	2045	1235	1140	1.20
	1.4	2000	1255	1158	1.22
	1.5	1955	1270	1171	1.24
1.6	1920	1290	1191	1.26	
1.7	1875	1310	1207	1.28	
1.8	1835	1330	1234	1.30	
T4'	0.6	2860	1240	1723	1.75
	0.7	2820	1260	1748	1.78
	0.8	2780	1275	1772	1.80
	0.9	2745	1295	1796	1.83
	1.0	2710	1315	1822	1.86
	1.1	2675	1335	1845	1.89
	1.2	2635	1355	1868	1.92
	1.3	2610	1370	1890	1.94
	1.4	2575	1380	1912	1.95
	1.5	2545	1400	1931	1.98
1.6	2510	1420	1951	2.01	
1.7	2475	1440	1971	2.04	
1.8	2440	1440	1992	2.04	
T5'	0.6	2410	1115	1126	1.17
	0.7	2370	1140	1150	1.20
	0.8	2330	1160	1170	1.22
	0.9	2295	1180	1188	1.24
	1.0	2260	1200	1207	1.26
	1.1	2230	1220	1224	1.28
	1.2	2190	1240	1241	1.31
	1.3	2160	1260	1258	1.33
	1.4	2115	1275	1278	1.34
	1.5	2075	1290	1288	1.36
1.6	2035	1310	1309	1.38	
1.7	2000	1330	1326	1.40	
1.8	1955	1355	1356	1.43	

***VALUES ARE FOR PART LOAD ONLY
****VALUES ARE FOR HIGH HEAT MODE ONLY

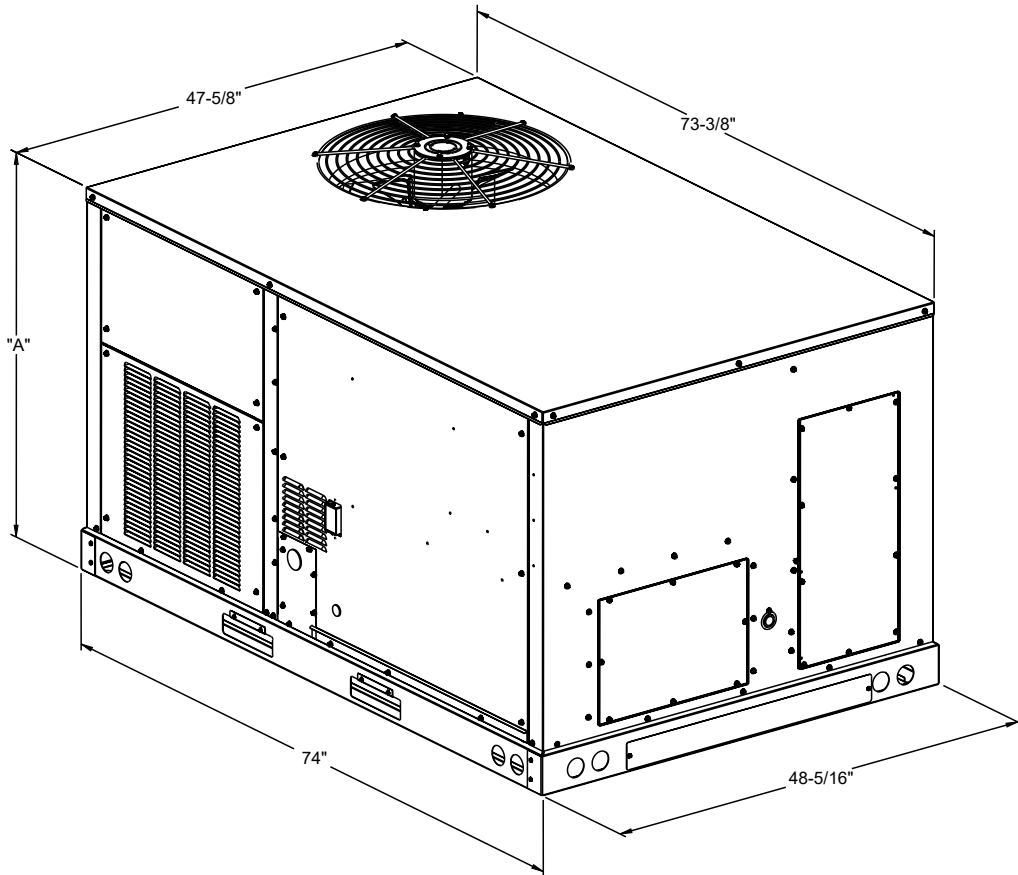
APPENDIX B ELECTRICAL DATA

Model Number	Electrical Rating	Compressor			Outdoor Fan Motor			Indoor Fan Motor			Optional Electric Heat			Optional Powered Convenience Outlet	Optional Power Exhaust	Power Supply	
		QTY	RLA	LRA	QTY	HP	FLA	QTY	HP	FLA	Part #	KW*	FLA	FLA	FLA	MCA	MOP
DSG0361D	208/230/1/60	1	16.4	88.0	1	0.17	0.95	1	0.75	5.7	-	-	-	-	-	27.2/27.2	40/40
											-	-	-	9.6/8.7	-	36.8/35.9	50/50
											-	-	-	-	2.2/1.9 (1.7/1.5)	29.4/29.1	45/45
DSG0363D	208/230/3/60	1	10.6	97.5	1	0.17	0.95	1	0.75	5.7	-	-	-	9.6/8.7	2.2/1.9 (1.7/1.5)	39.0/37.8	50/50
											-	-	-	-	-	19.9/19.9	30/30
											-	-	-	9.6/8.7	2.2/1.9 (1.7/1.5)	22.1/21.8	30/30
DSG0363W	208/230/3/60	1	10.6	97.5	1	0.17	0.95	1	1.2	5.0	-	-	-	9.6/8.7	-	19.2/19.2	25/25
											-	-	-	-	-	28.8/27.9	35/35
											-	-	-	-	2.2/1.9 (1.7/1.5)	21.4/21.1	30/30
DSG0364D	460/3/60	1	4.9	44.3	1	0.17	0.48	1	1.2	2.5	-	-	-	-	-	9.1	15
											-	-	-	4.3	-	13.4	15
											-	-	-	-	0.9 (0.5)	10.0	15
DSG0364W	460/3/60	1	4.9	44.3	1	0.17	0.48	1	1.2	2.5	-	-	-	4.3	0.9 (0.5)	14.3	15
											-	-	-	-	-	9.1	15
											-	-	-	-	-	13.4	15
DSG0367D	575/3/60	1	3.8	27.1	1	0.17	0.39	1	1.2	2.0	-	-	-	-	-	7.2	15
											-	-	-	3.5	-	10.7	15
											-	-	-	-	1.0	8.2	15
DSG0367W	575/3/60	1	3.8	27.1	1	0.17	0.39	1	1.2	2.0	-	-	-	3.5	1.0	11.7	15
											-	-	-	-	-	7.2	15
											-	-	-	3.5	-	10.7	15
DSG0481D	208/230/1/60	1	19.4	128	1	0.33	2.0	1	1.0	6.9	-	-	-	-	-	33.1/33.1	50/50
											-	-	-	9.6/8.7	-	42.7/41.8	60/60
											-	-	-	-	2.2/1.9 (1.7/1.5)	35.3/35.0	50/50
DSG0483D	208/230/3/60	1	12.2	120	1	0.33	2.0	1	1.0	6.9	-	-	-	9.6/8.7	2.2/1.9 (1.7/1.5)	44.9/43.7	60/60
											-	-	-	-	-	24.1/24.1	35/35
											-	-	-	9.6/8.7	-	33.7/32.8	45/40
DSG0483W	208/230/3/60	1	12.2	120	1	0.33	2.0	1	1.2	5.0	-	-	-	-	-	22.2/22.2	30/30
											-	-	-	9.6/8.7	-	31.8/30.9	40/40
											-	-	-	-	2.2/1.9 (1.7/1.5)	24.4/24.1	35/35
DSG0484D	460/3/60	1	5.8	55.1	1	0.33	0.85	1	1.2	2.5	-	-	-	-	-	10.6	15
											-	-	-	4.3	-	14.9	20
											-	-	-	-	0.9 (0.5)	11.5	15
DSG0484W	460/3/60	1	5.8	55.1	1	0.33	0.85	1	1.2	2.5	-	-	-	4.3	0.9 (0.5)	15.8	20
											-	-	-	-	-	10.6	15
											-	-	-	4.3	-	14.9	20
DSG0487D	575/3/60	1	5.8	41.0	1	0.33	0.67	1	1.2	2.0	-	-	-	-	-	9.9	15
											-	-	-	3.5	-	13.4	15
											-	-	-	-	1.0	10.9	15
DSG0487W	575/3/60	1	5.8	41.0	1	0.33	0.67	1	1.2	2.0	-	-	-	3.5	1.0	14.4	20
											-	-	-	-	-	9.9	15
											-	-	-	3.5	-	13.4	15
DSG0601D	208/230/1/60	1	23.9	148	1	0.33	2.0	1	1	6.9	-	-	-	-	-	38.7/38.7	60/60
											-	-	-	9.6/8.7	-	48.3/47.4	70/70
											-	-	-	-	2.2/1.9 (1.7/1.5)	40.9/40.6	60/60
DSG0603D	208/230/3/60	1	15.4	156	1	0.33	2.0	1	1	6.9	-	-	-	9.6/8.7	-	28.1/28.1	40/40
											-	-	-	-	-	37.7/36.8	50/50
											-	-	-	9.6/8.7	2.2/1.9 (1.7/1.5)	30.3/30.0	45/40
DSG0603W	208/230/3/60	1	15.4	156	1	0.33	2.0	1	2.3	7.7	-	-	-	-	-	39.9/38.7	50/50
											-	-	-	9.6/8.7	2.2/1.9 (1.7/1.5)	28.9/28.9	40/40
											-	-	-	-	-	38.5/37.6	50/50
DSG0604D	460/3/60	1	7.7	69.0	1	0.33	0.85	1	1.2	2.5	-	-	-	-	-	13.0	20
											-	-	-	4.3	-	17.3	20
											-	-	-	-	0.9 (0.5)	13.9	20
											-	-	-	4.3	0.9 (0.5)	18.2	25

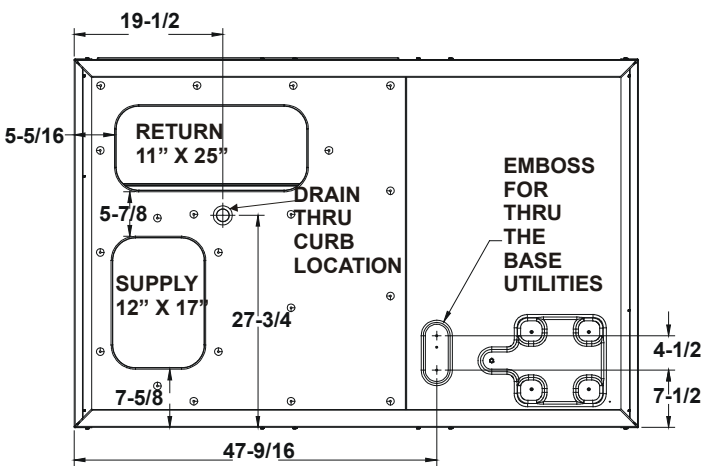
APPENDIX B ELECTRICAL DATA

Model Number	Electrical Rating	Compressor			Outdoor Fan Motor			Indoor Fan Motor			Optional Electric Heat			Optional Powered Convenience Outlet	Optional Power Exhaust	Power Supply	
		QTY	RLA	LRA	QTY	HP	FLA	QTY	HP	FLA	Part #	KW*	FLA	FLA	FLA	MCA	MOP
DSG0604W	460/3/60	1	7.7	69.0	1	0.33	0.85	1	2.3	4.5	-	-	-	-	-	15.0	20
											-	-	-	4.3	-	19.3	25
											-	-	-	-	0.9 (0.5)	15.9	20
											-	-	-	4.3	0.9 (0.5)	20.2	25
DSG0607D	575/3/60	1	6.4	47.8	1	0.33	0.67	1	1.2	2.0	-	-	-	3.5	-	14.2	20
											-	-	-	-	1.0	11.7	15
											-	-	-	3.5	1.0	15.2	20
											-	-	-	-	-	12.5	15
DSG0607W	575/3/60	1	6.4	47.8	1	0.33	0.67	1	2.3	3.8	-	-	-	3.5	-	16.0	20
											-	-	-	-	1.0	13.5	15
											-	-	-	3.5	1.0	17.0	20
											-	-	-	-	-	27.2/27.2	40/40
DSG0723D	208/230/3/60	1	16.1	155	1	0.33	2.0	1	1.2	5.0	-	-	-	9.6/8.7	-	36.8/35.9	50/50
											-	-	-	-	2.2/1.9 (1.7/1.5)	29.4/29.1	40/40
											-	-	-	9.6/8.7	2.2/1.9 (1.7/1.5)	39.0/37.8	50/50
											-	-	-	-	-	29.9/29.9	45/45
DSG0723W	208/230/3/60	1	16.1	155	1	0.33	2.0	1	2.3	7.7	-	-	-	9.6/8.7	-	39.5/38.6	50/50
											-	-	-	-	2.2/1.9 (1.7/1.5)	32.1/31.8	45/45
											-	-	-	9.6/8.7	2.2/1.9 (1.7/1.5)	41.7/40.5	50/50
											-	-	-	-	-	12.2	15
DSG0724D	460/3/60	1	7.0	70.8	1	0.33	0.85	1	1.2	2.5	-	-	-	4.3	-	16.5	20
											-	-	-	-	0.9 (0.5)	13.1	15
											-	-	-	4.3	0.9 (0.5)	17.4	20
											-	-	-	-	-	14.2	20
DSG0724W	460/3/60	1	7.0	70.8	1	0.33	0.85	1	2.3	4.5	-	-	-	4.3	-	18.5	25
											-	-	-	-	0.9 (0.5)	15.1	20
											-	-	-	4.3	0.9 (0.5)	19.4	25
											-	-	-	-	-	10.2	15
DSG0727D	575/3/60	1	6.0	58.2	1	0.33	0.67	1	1.2	2.0	-	-	-	3.5	-	13.7	15
											-	-	-	-	1.0	11.2	15
											-	-	-	3.5	1.0	14.7	20
											-	-	-	-	-	12.0	15
DSG0727W	575/3/60	1	6.0	58.2	1	0.33	0.67	1	2.3	3.8	-	-	-	3.5	-	15.5	20
											-	-	-	-	1.0	13.0	15
											-	-	-	3.5	1.0	16.5	20
											-	-	-	-	-	-	-

APPENDIX C UNIT DIMENSIONS

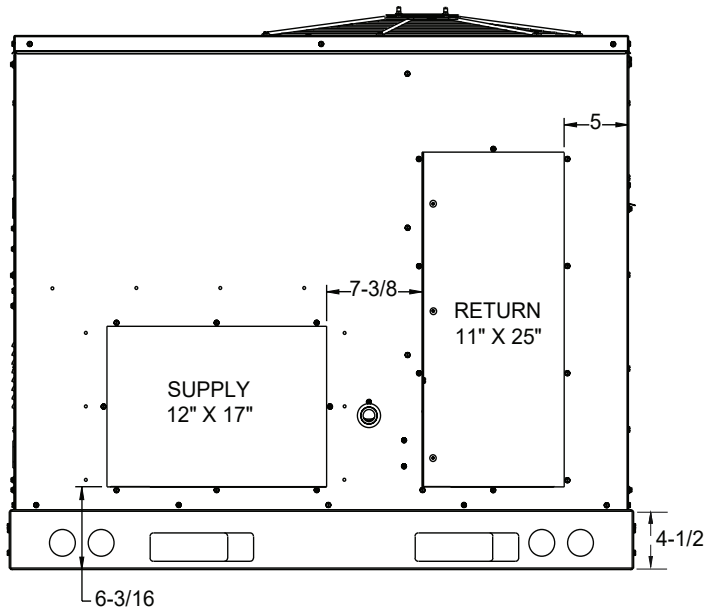


MODEL SIZE	DIM "A"
3 TON	40"
4 TON	40"
5 TON	40"
6 TON	43-1/2"



BOTTOM VIEW OF UNIT

VERTICAL DISCHARGE



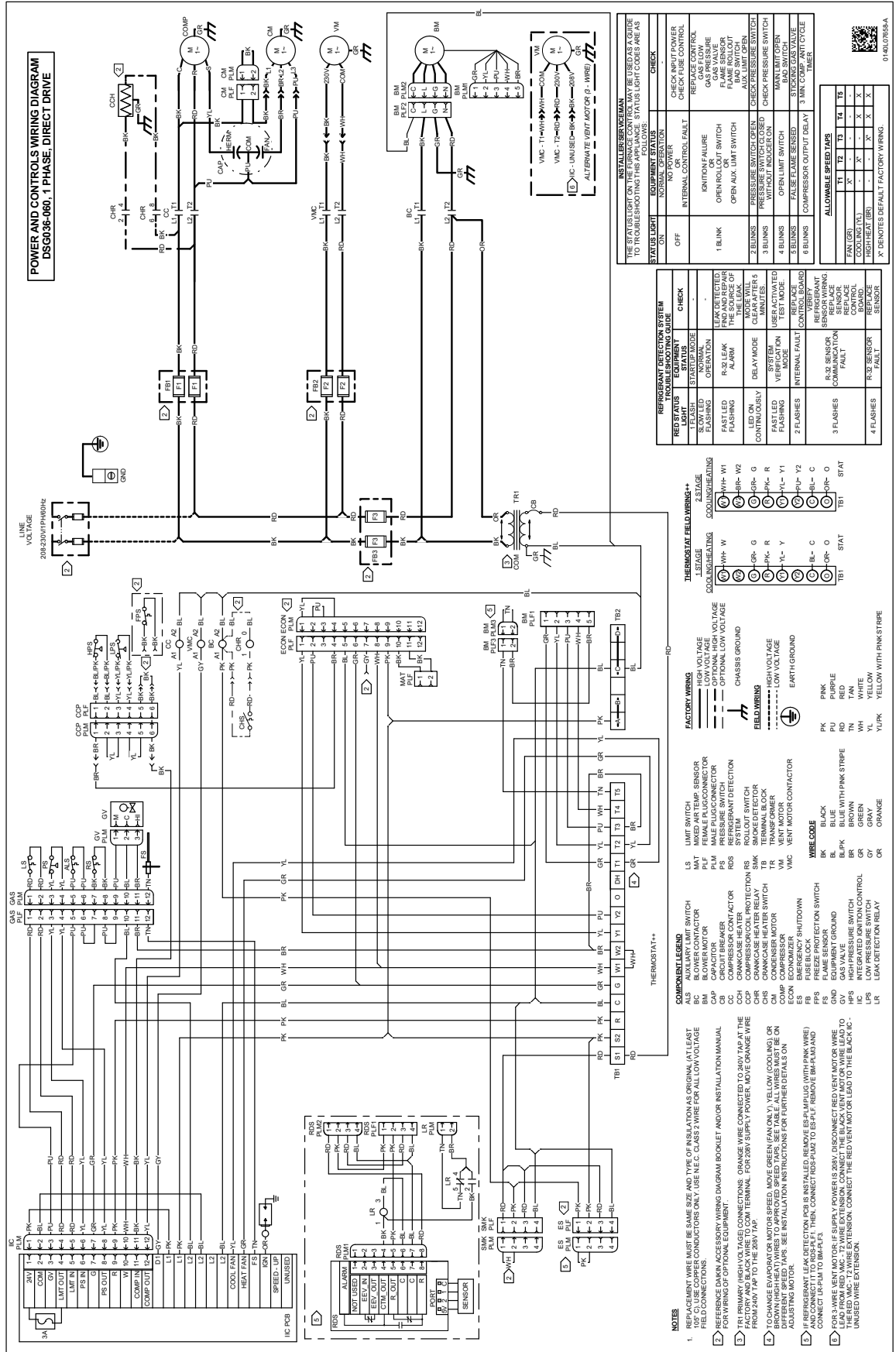
HORIZONTAL DISCHARGE

NOTE: REFER TO IOD-7082 INCLUDED IN THE LITERATURE PACK FOR INSTALLING HORIZONTAL DUCT COVERS.

APPENDIX D MIN-MAX AIRFLOW

RECOMMENDED MIN-MAX AIRFLOW RANGE				
UNIT	HIGH FIRE RATE BTU/HR	HEATING MINIMUM SCFM	COOLING MINIMUM SCFM	MAXIMUM SCFM
DSG036	45000	750	900	1500
	60000	750		
	70000	1050		
	80000	950		
	90000	1200		
	100000	1050		
DSG048	70000	950	1200	2000
	80000	1050		
	90000	1200		
	100000	1150		
	115000	1400		
DSG060	80000	1200	1500	2500
	90000	1100		
	100000	1250		
	115000	1150		
	140000	1600		
DSG072	90000	1200	1800	3000
	115000	1550		
	140000	1600		

WARNING
HIGH VOLTAGE!
 DISCONNECT ALL POWER BEFORE SERVICING OR INSTALLING THIS UNIT. MULTIPLE POWER SOURCES MAY BE PRESENT. FAILURE TO DO SO MAY CAUSE PROPERTY DAMAGE, PERSONAL INJURY OR DEATH.



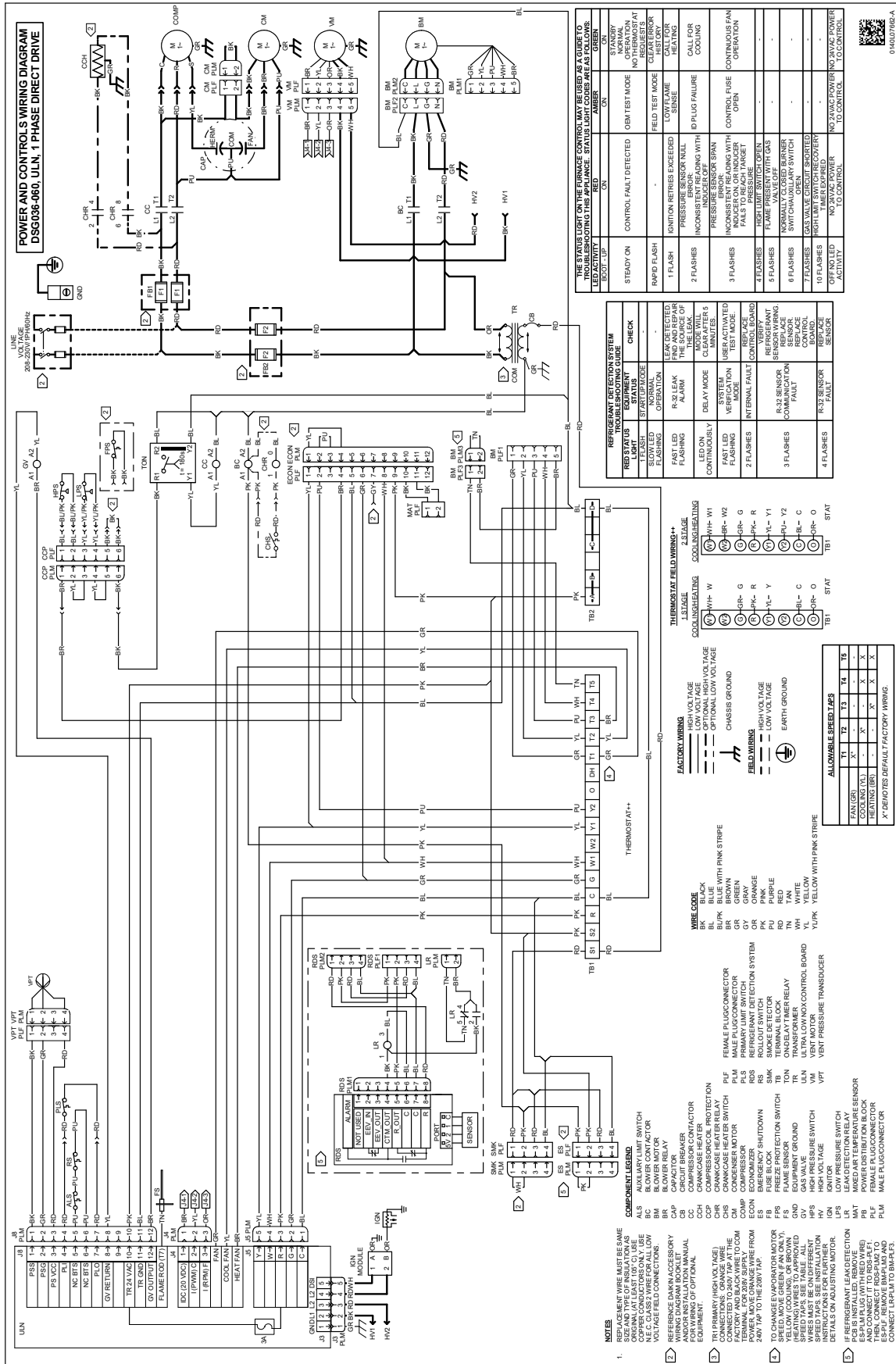
Wiring is subject to change. Always refer to the wiring diagram on the unit for the most up-to-date wiring.

WIRING DIAGRAM

DSG036-060, 1 PHASE, ULN, DIRECT DRIVE

WARNING

HIGH VOLTAGE!
DISCONNECT ALL POWER BEFORE SERVICING OR INSTALLING THIS UNIT. MULTIPLE POWER SOURCES MAY BE PRESENT. FAILURE TO DO SO MAY CAUSE PROPERTY DAMAGE, PERSONAL INJURY OR DEATH.



Wiring is subject to change. Always refer to the wiring diagram on the unit for the most up-to-date wiring.

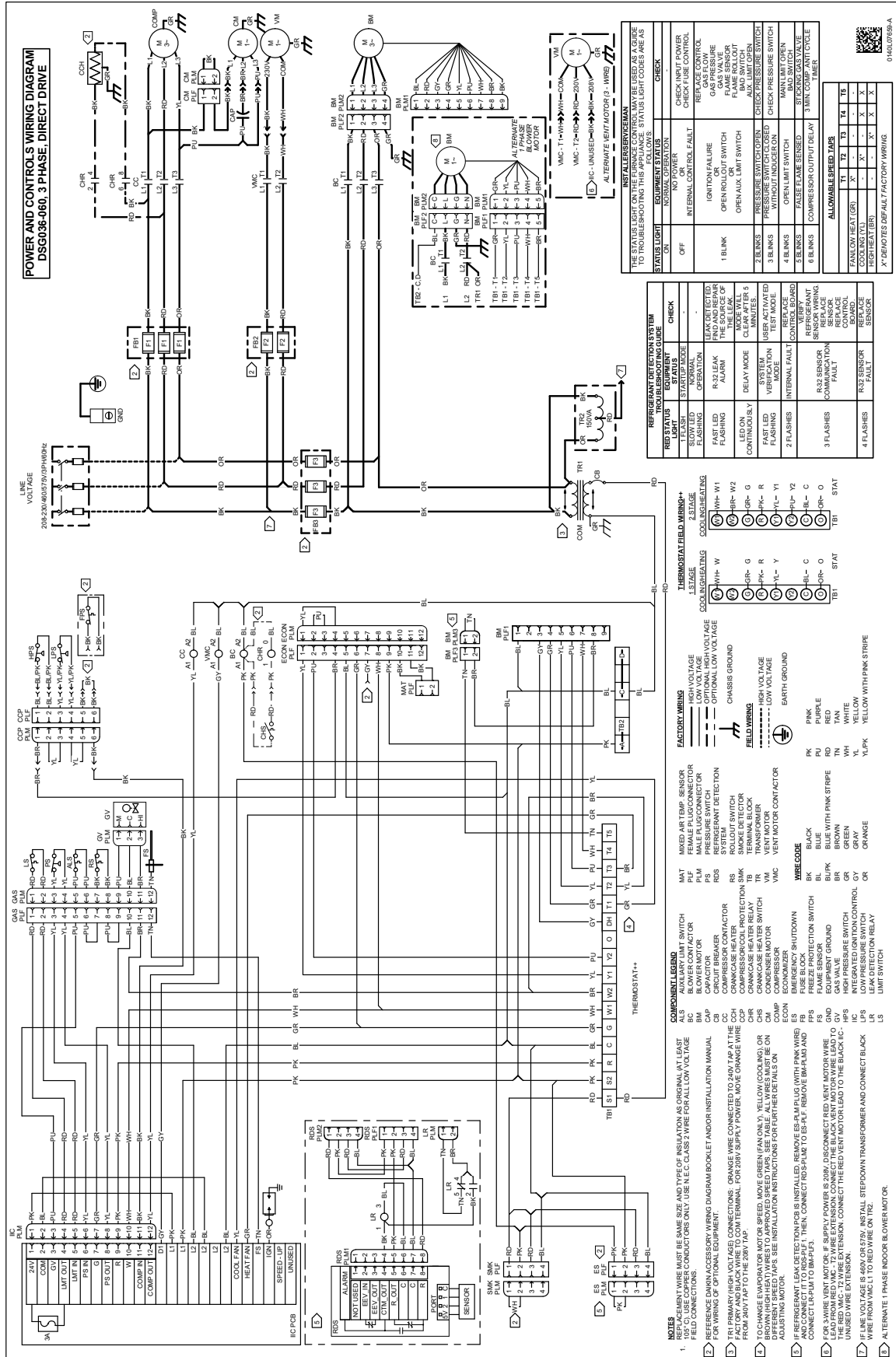
WIRING DIAGRAM

DSG036-060, 3 PHASE, DIRECT DRIVE



WARNING

HIGH VOLTAGE!
DISCONNECT ALL POWER BEFORE SERVICING OR INSTALLING THIS UNIT. MULTIPLE POWER SOURCES MAY BE PRESENT. FAILURE TO DO SO MAY CAUSE PROPERTY DAMAGE, PERSONAL INJURY OR DEATH.



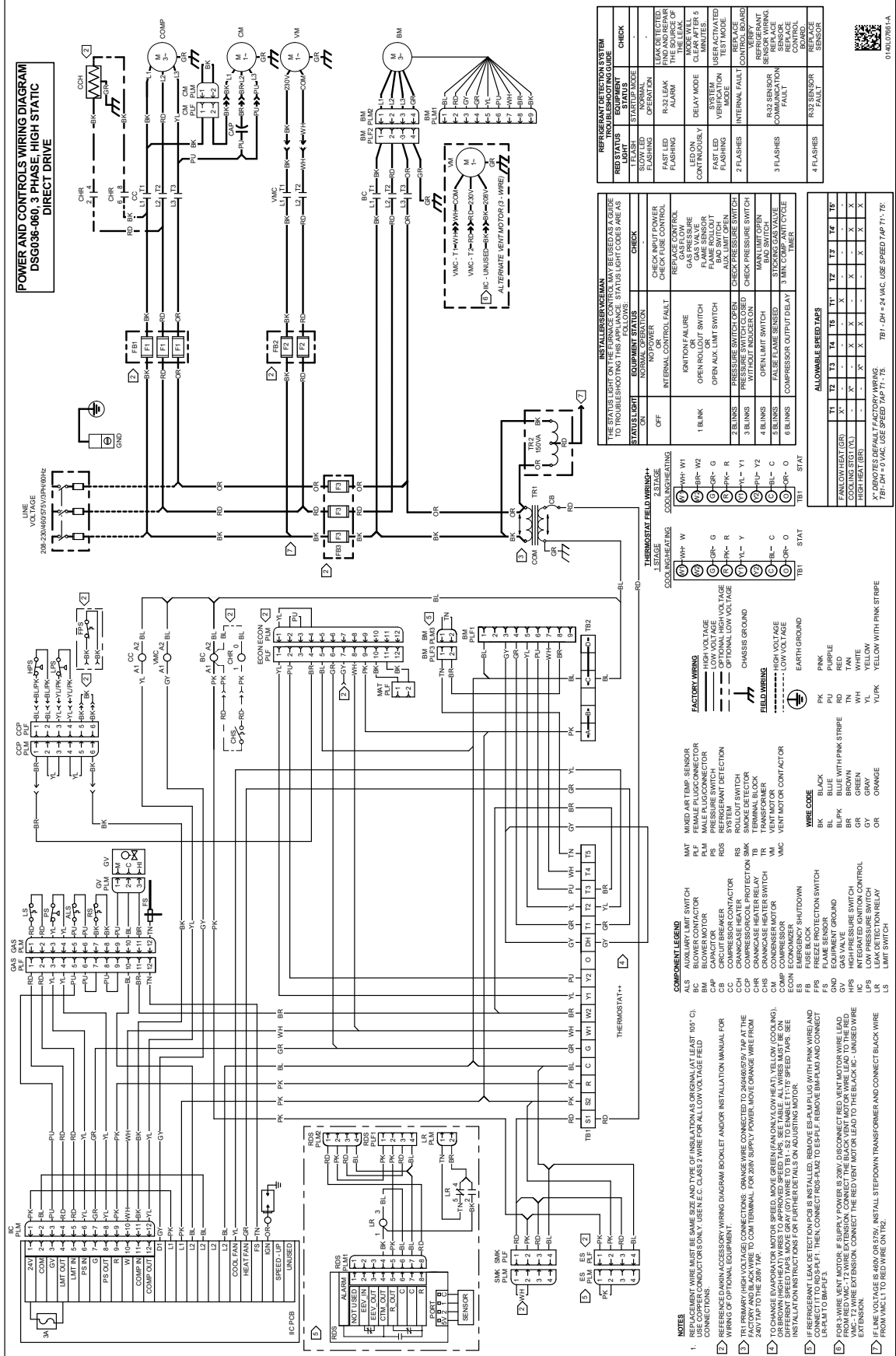
Wiring is subject to change. Always refer to the wiring diagram for the unit for the most up-to-date wiring.

WIRING DIAGRAM

DSG036-060, 3 PHASE, HIGH STATIC, DIRECT DRIVE

WARNING

HIGH VOLTAGE!
DISCONNECT ALL POWER BEFORE SERVICING OR INSTALLING THIS UNIT. MULTIPLE POWER SOURCES MAY BE PRESENT. FAILURE TO DO SO MAY CAUSE PROPERTY DAMAGE, PERSONAL INJURY OR DEATH.

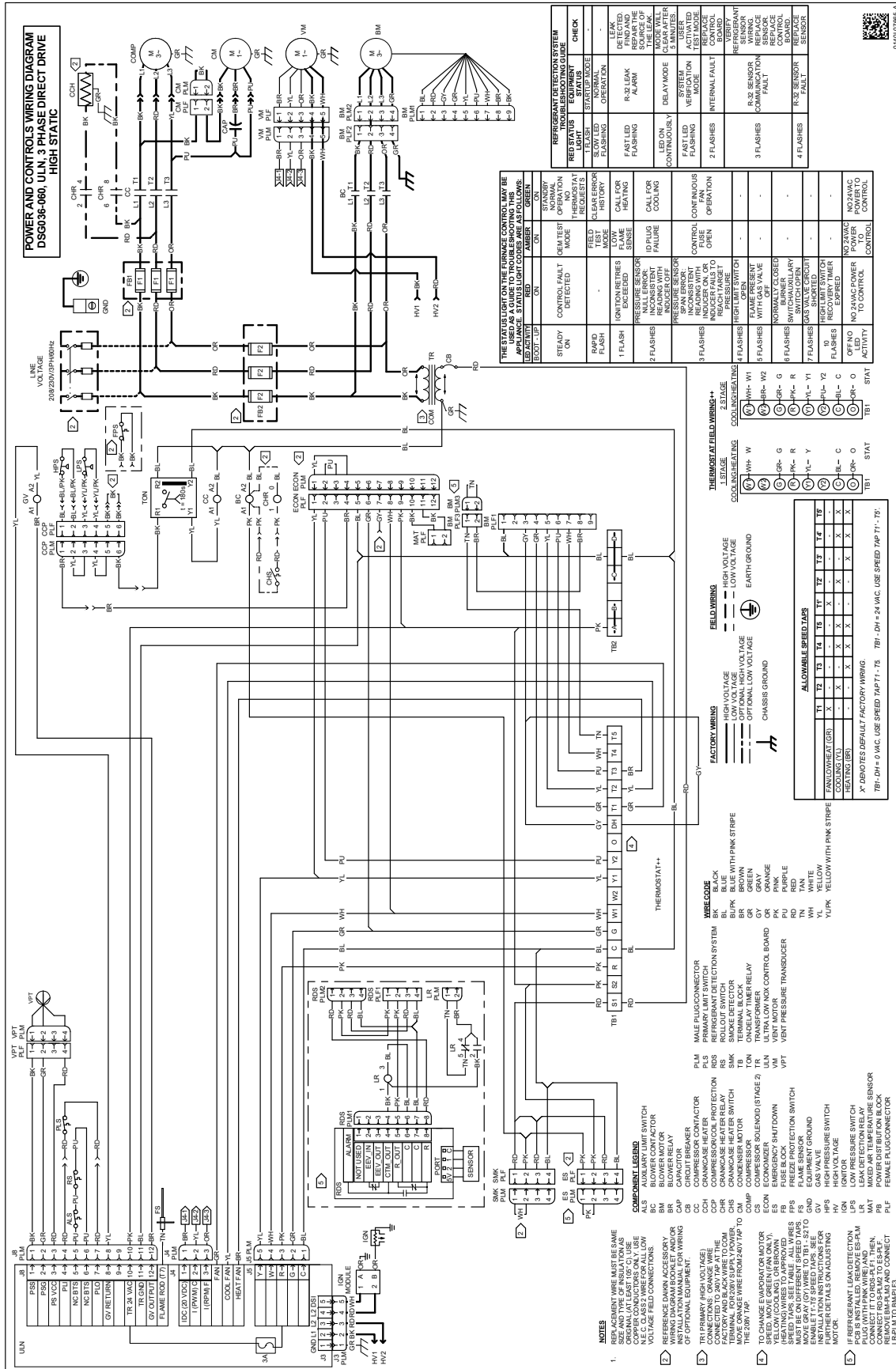


Wiring is subject to change. Always refer to the wiring diagram on the unit for the most up-to-date wiring.

WIRING DIAGRAM

DSG036-060, ULN, 3 PHASE, HIGH STATIC DIRECT DRIVE

WARNING
HIGH VOLTAGE!
DISCONNECT ALL POWER BEFORE SERVICING OR INSTALLING THIS UNIT. MULTIPLE POWER SOURCES MAY BE PRESENT. FAILURE TO DO SO MAY CAUSE PROPERTY DAMAGE, PERSONAL INJURY OR DEATH.



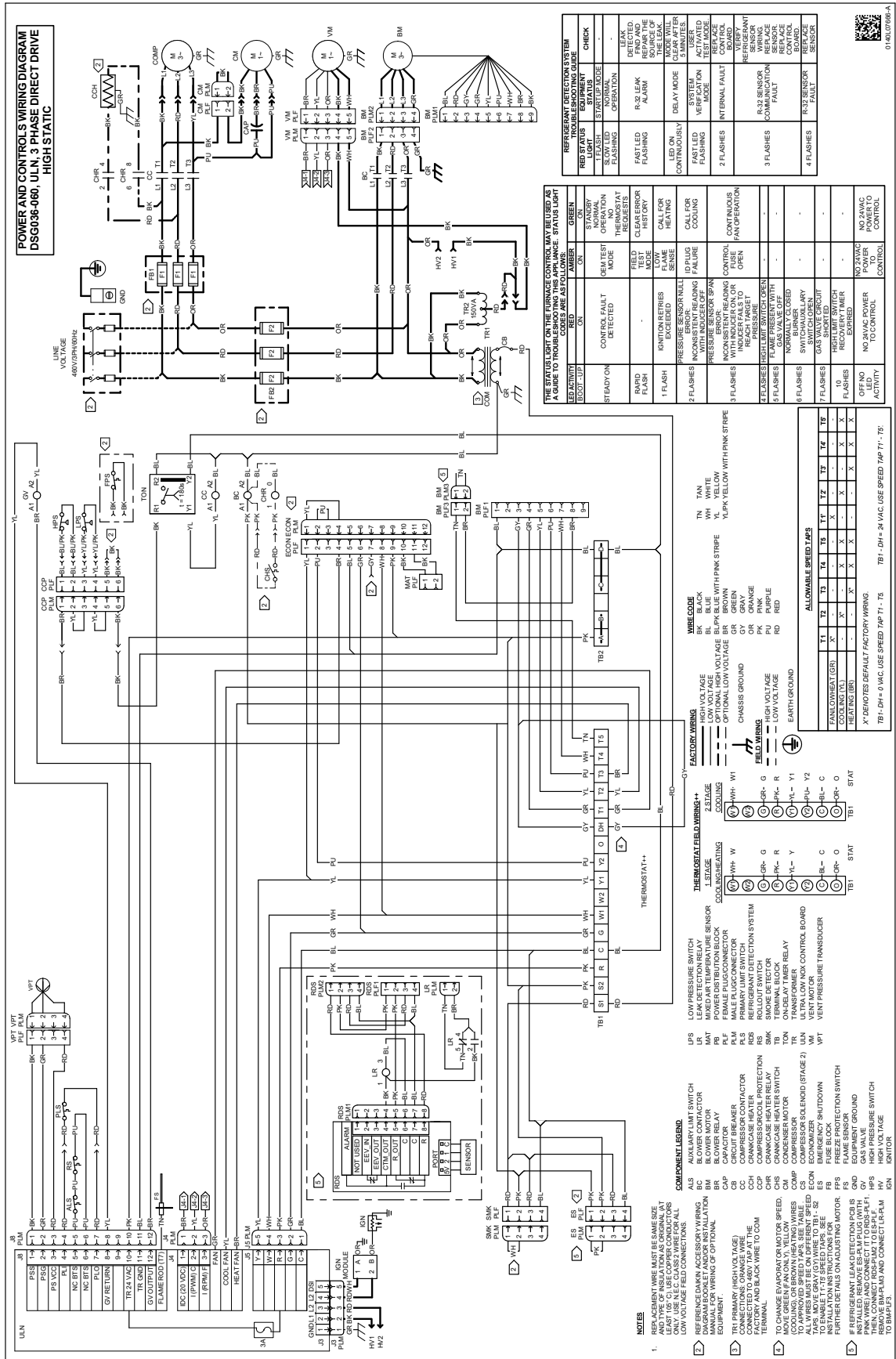
Wiring is subject to change. Always refer to the wiring diagram on the unit for the most up-to-date wiring.

WIRING DIAGRAM

DSG036-060, ULN, 3 PHASE, DIRECT DRIVE HIGH STATIC

WARNING

HIGH VOLTAGE!
DISCONNECT ALL POWER BEFORE SERVICING OR INSTALLING THIS UNIT. MULTIPLE POWER SOURCES MAY BE PRESENT. FAILURE TO DO SO MAY CAUSE PROPERTY DAMAGE, PERSONAL INJURY OR DEATH.

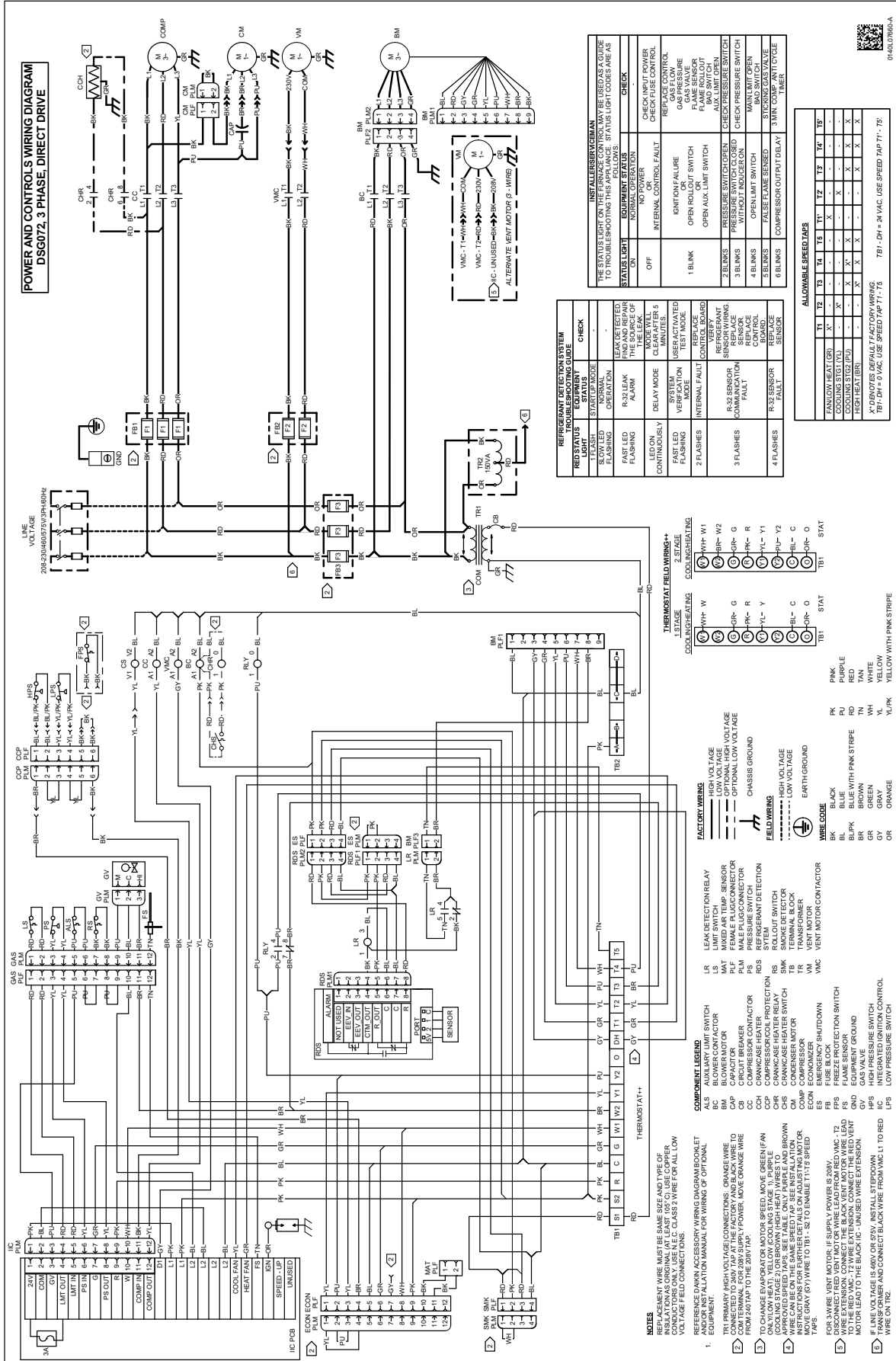


Wiring is subject to change. Always refer to the wiring diagram on the unit for the most up-to-date wiring.



WARNING

HIGH VOLTAGE!
DISCONNECT ALL POWER BEFORE SERVICING OR INSTALLING THIS UNIT. MULTIPLE POWER SOURCES MAY BE PRESENT. FAILURE TO DO SO MAY CAUSE PROPERTY DAMAGE, PERSONAL INJURY OR DEATH.



- NOTES**
- REPLACEMENT WIRE MUST BE SAME SIZE AND TYPE OF WIRE AS ORIGINAL WIRE. CONDUCTORS ONLY. USE ALE C. CLASS 2 WIRE FOR ALL VOLTAGE FIELD CONNECTIONS.
 - REFERENCE DUKAN ACCESSORY WIRING DIAGRAM BOOKLET FOR WIRING INFORMATION FOR WIRING OF OPTIONAL EQUIPMENT.
 - TR1 PRIMARY HIGH VOLTAGE CONNECTIONS: ORANGE WIRE TO MAT, BLACK WIRE TO FEMALE PLUG CONNECTOR, BLACK WIRE TO FEMALE PLUG CONNECTOR FROM 240V TAP TO THE 280V TAP.
 - ON CHANGE EVAPORATOR MOTOR SPEED, MOVE GREEN (FAN) AND YELLOW (HEAT), YELLOW (COOLING STAGE), PURPLE (HEAT), PURPLE (HEAT) FROM 240V TAP TO THE 280V TAP. APPROVED SPEED TAPS: SEE TABLE, ONLY PINK AND BROWN WIRE EXTENSION. INSTRUCTIONS FOR FURTHER DETAILS ON INSTALLING MOTOR WIRE: SEE WIRING MANUAL OR WIRE LEAD FROM RED WIRE MOTOR. DISCONNECT RED (VEN) MOTOR WIRE LEAD FROM RED WIRE MOTOR WIRE LEAD. CONNECT THE BLACK (VEN) MOTOR WIRE LEAD TO THE BLACK (IC - UNUSED) WIRE EXTENSION. IF FLINE VOLTAGE IS 480V OR 950V, INSTALL STEPDOWN TRANSFORMER AND CONNECT BLACK WIRE FROM VMC L1 TO RED WIRE ON TR1.

COMPONENT LEGEND

LS	LEAK DETECTION RELAY
LS	LEAK LIMIT SWITCH
BL	BLOWER MOTOR
BC	COMPRESSOR MOTOR
CAP	CAPACITOR
CC	CONDENSER MOTOR
CCH	CRANKCASE HEATER
CHR	CRANKCASE HEATER SWITCH
CHS	CRANKCASE HEATER RELAY
CM	CONDENSER MOTOR
ECON	ECONOMIZER
EM	EMERGENCY SHUTDOWN
FPS	FREESTAGE PROTECTION SWITCH
GND	EQUIPMENT GROUND
HT	HEAT TRANSDUCER
HIS	HIGH PRESSURE SWITCH
IC	INTEGRATED IGNITION CONTROL
LPS	LOW PRESSURE SWITCH

- FACTORY WIRING**
- HIGH VOLTAGE
 - OPTIONAL LOW VOLTAGE
 - CHASSIS GROUND
 - HIGH VOLTAGE
 - LOW VOLTAGE
 - EARTH GROUND
- FIELD WIRING**
- HIGH VOLTAGE
 - LOW VOLTAGE
 - EARTH GROUND

- TERMOSTAT FIELD WIRING**
- 1 STAGE COOLING/HEATING
- W1: W
 - W2: W
 - G: G
 - R: R
 - Y1: Y
 - Y2: Y
 - REL-C: REL-C
 - REL-O: REL-O
 - STAT: STAT

- WIRE CODE**
- BK: BLACK
 - BL: BLUE
 - BR: BROWN
 - GR: GREEN
 - GY: GRAY
 - OR: ORANGE
 - PK: PINK
 - PU: PURPLE
 - TN: TAN
 - WH: WHITE
 - YL: YELLOW
 - YLK: YELLOW WITH PINK STRIPE



Wiring is subject to change. Always refer to the wiring diagram on the unit for the most up-to-date wiring.



Start-up Checklist

**Store in job file*

Date: _____ Location: _____
Model Number: _____
Serial Number: _____
Technician: _____ Unit #: _____

Pre Start-Up

(Check each item as completed)

- Verify all packaging material has been removed.
- Remove all shipping brackets per installation instructions.
- Verify the job site voltage agrees with the unit serial plate.
- Verify condensate connection is installed per installation instructions.
- Verify proper clearance around the unit for safety, service, maintenance and proper unit operation.
- Verify proper weatherproofing of all ductwork, roof curbs and electrical connections.
- Check that the flue screen is in place.
- Check gas piping for leaks.
- Verify gas pressure to the unit is within the range specified on the serial plate.
- Check to ensure that all fans, pulleys and wheels are secure.
- Check for proper belt tension and alignment per installation instructions.
- Check refrigerant piping for rubbing and leaks. *Repair if necessary.*
- Check unit wiring to ensure it is not in contact with refrigerant piping or sharp metal edges.
- Check all electrical connections and terminals. *Tighten as needed.*
- Verify that the crankcase heaters have been energized for 24 hours.
- Verify the scroll compressor(s) are rotating in the right direction.
- Verify all accessories are installed and operating correctly.
- Check filters and replace if necessary.
- Verify the installation of the thermostat.



Start-up Checklist

Start-Up
(Insert the values as each item is completed.)

ELECTRICAL

Supply Voltage	L1 - L2	_____	L2 - L3	_____	L3 - L1	_____
Circuit 1 Compressor Amps	L1	_____	L2	_____	L3	_____
Circuit 2 Compressor Amps	L1	_____	L2	_____	L3	_____
Blower Amps	L1	_____	L2	_____	L3	_____
Condenser Fan Amps	Fan 1	_____	Fan 2	_____	Fan 3	_____

BLOWER EXTERNAL STATIC PRESSURE

Return Air Static Pressure	_____	IN. W.C.
Supply Air Static Pressure	_____	IN. W.C.
Total External Static Pressure	_____	IN. W.C.
Blower Wheel RPM	_____	RPM

TEMPERATURES

Outdoor Air Temperature	_____	DB	_____	WB
Return Air Temperature	_____	DB	_____	WB
Cooling Supply Air Temperature	_____	DB	_____	WB
Heating Supply Air Temperature	_____	DB	_____	

PRESSURES

Gas Inlet Pressure	_____	IN. W.C.	
Gas Manifold Pressure	_____	IN. W.C. (Low Fire)	_____ IN. W.C. (High Fire)
Suction Circuit 1	_____	PSIG	_____ °F
Superheat (Orifice System)			_____ °F
Suction Circuit 2	_____	PSIG	_____ °F
Superheat (Orifice System)			_____ °F
Discharge Circuit 1	_____	PSIG	_____ °F
Subcooling (TXV System)			_____ °F
Discharge Circuit 2	_____	PSIG	_____ °F
Subcooling (TXV System)			_____ °F

(HEAT PUMP ONLY)

Suction Circuit 1	_____	PSIG	_____ °F
Suction Circuit 2	_____	PSIG	_____ °F
Discharge Circuit 1	_____	PSIG	_____ °F
Discharge Circuit 2	_____	PSIG	_____ °F

THIS PAGE LEFT INTENTIONALLY BLANK.

THIS PAGE LEFT INTENTIONALLY BLANK.

THIS PAGE LEFT INTENTIONALLY BLANK.

CUSTOMER FEEDBACK

Daikin is very interested in all product comments.
Please fill out the feedback form on the following link:
<https://daikincomfort.com/contact-us>

You can also scan the QR code on the right to be directed to the feedback page.



PRODUCT REGISTRATION

Thank you for your recent purchase.

For Product Registration, please register by following this link:
<https://daikincomfort.com/owner-support/product-registration>

You can also scan the QR code on the right to be directed to the Product Registration page.



Our continuing commitment to quality products may mean a change in specifications without notice.

© 2024 **DAIKIN COMFORT TECHNOLOGIES MANUFACTURING, L.P.**

19001 Kermier Rd. Waller, TX 77484

www.daikincomfort.com